

# GP 2014

## TYPICAL INSTALLATION INSTRUCTIONS & WARRANTY INFORMATION

# Environment One Grinder Pump Feature Identification

1. **GRINDER PUMP BASIN** – High density polyethylene (HDPE).
2. **ACCESSWAY COVER** – FRP
3. **ELECTRICAL QUICK DISCONNECT (EQD)** – Cable from pump core terminates here.
4. **POWER AND ALARM CABLE** – Circuits to be installed in accordance with local codes.
5. **ALARM PANEL** – NEMA 4X enclosure. Equipped with circuit breakers. Locate according to local codes.
6. **ALARM DEVICE** – Every installation is to have an alarm device to alert the homeowner of a potential malfunction. Visual devices should be placed in very conspicuous locations.
7. **INLET** – EPDM grommet (4.5" ID). For 4.5" OD DWV pipe.
8. **WET WELL VENT** – 2.0" tank vent, supplied by factory in units with accessways.
9. **GRAVITY SERVICE LINE** – 4" DWV, (4.5" OD). Supplied by others.
- 9a. **STUB-OUT** – 4" X 5' Long **watertight** stub-out, to be installed at time of burial unless the gravity service line is connected during installation. Supplied by others.
10. **DISCHARGE VALVE** – 1-1/4" Female pipe thread.
11. **DISCHARGE LINE** – 1-1/4" Nominal pipe size. Supplied by others.
12. **CONCRETE ANCHOR** – See Ballast Calculations for specific weight for your station height. Supplied by others.
13. **BEDDING MATERIAL** – 6" minimum depth, round aggregate (gravel). Supplied by others.
14. **FINISHED GRADE** – Grade line to be 1 to 4 inches below removable lid and slope away from the station.
15. **VENT** – Indoor installation. See section 6, Venting, on page 6.
16. **VALVE** – Full ported ball valve. Recommended option, for use during service operations. Supplied by others.
17. **CONDUIT** – 1" or 1-1/4", material and burial depth as required per national and local codes. Conduit must enter panel from bottom and be sealed per NEC section 300.5 & 300.7. Supplied by others.
18. **UNION** – 1-1/4" or compression type coupling. Supplied by others. (Do not use rubber sleeve and hose clamp type coupling.)
19. **VALVE** – Ball valve, must provide a full-ported 1-1/4" round passage when open. Supplied by others.
20. **REBAR** – Required to lift tank after ballast (concrete anchor) has been attached, 4 places, evenly spaced around tank.

Figure 1a

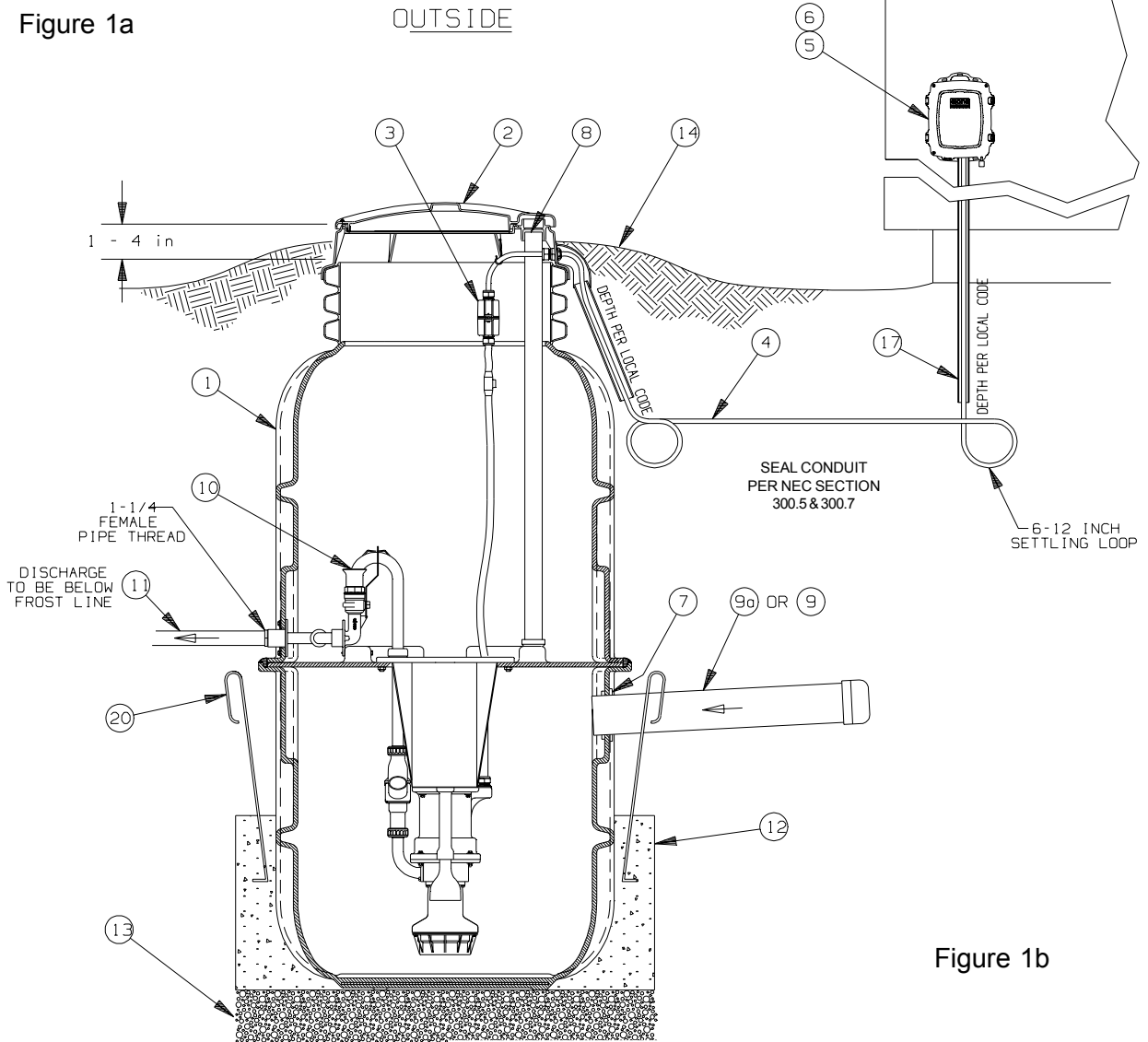
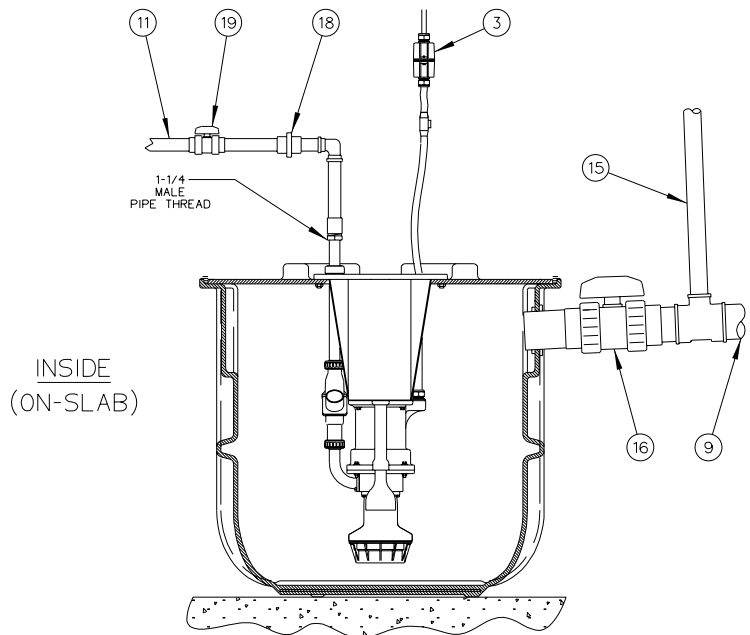


Figure 1b



**FAILURE TO COMPLY  
WITH INSTALLATION  
INSTRUCTIONS WILL  
VOID WARRANTY**

# Installation Instructions for Model 2014 Grinder Pump

The Environment One Grinder Pump is a well engineered, reliable and proven product: proper installation will assure years of trouble-free service. The following instructions define the recommended procedure for installing the Model 2014 Grinder Pump. These instructions cover the installation of units with and without accessways.

This is a sewage handling pump and must be vented in accordance with local plumbing codes. This pump is not to be installed in locations classified as hazardous in accordance with National Electric Code, ANSI / NFPA 70. All piping and electrical systems must be in compliance with applicable local and state codes.

## 1. REMOVE PACKING

**MATERIAL:** The User Instructions must be given to the home owner. Hardware supplied with the unit, if any, will be used at installation.

## 2. TANK INSTALLATION:

Lift the station using only the methods described on page 9, "Lifting Instructions". The tank is supplied with a standard grommet for connecting the 4" DWV (4.50" outside Dia.) incoming sewer drain. Other inlet types and sizes are optional (caution 4" DR-35 pipe is of smaller diameter and won't create a water tight joint with the standard grommet). Please confirm that you have the correct inlet before continuing. If a concrete ballast is attached to the tank lift only by the lifting eyes, (rebar) embedded in the concrete. **Do not drop, roll, or lay tank on**

**its side. This will damage the unit and void the warranty.**

- **If the tank has no accessway** (Fig. 1b): (Indoor Installation): The pump may be installed on or in the basement floor (see fig. 1b). If the tank is to be set on the floor it must be a flat and level bearing surface. If the tank is to go into the basement floor, it must be anchored to prevent unit from floating due to high ground water (see Chart 1, page 12 for weight).

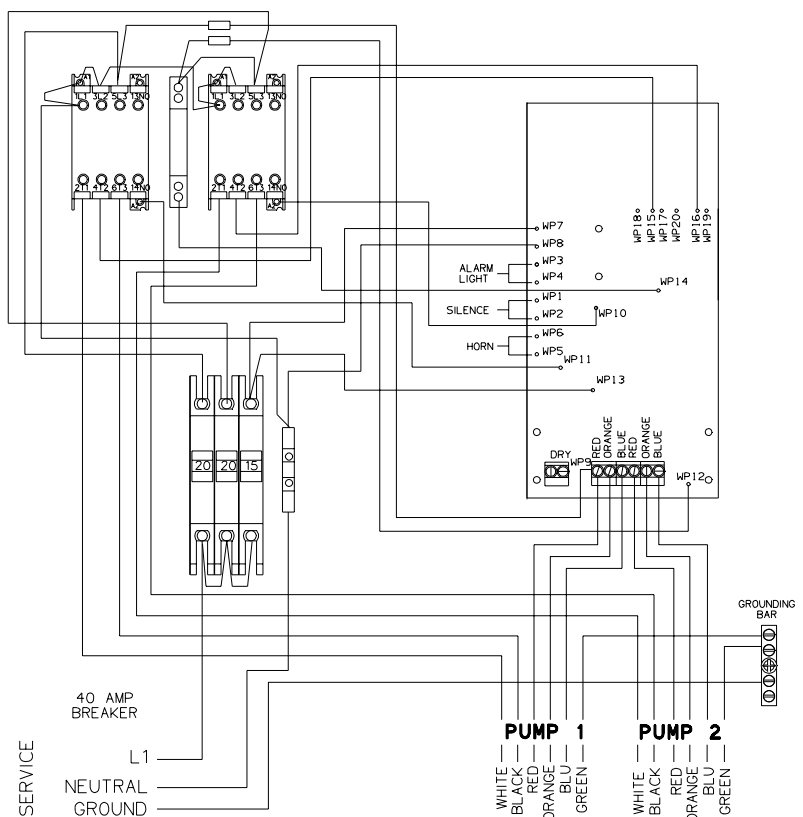
- **If the tank is to go in the floor:** A hole of the correct width and depth should be excavated. The tank must be placed on a 6" bed of gravel

made up of naturally rounded aggregate, clean and free flowing, with particle size not less than 1/8" or more than 3/4" in diameter. The wet well should be leveled and filled with water prior to pouring the concrete to prevent the tank from shifting. If it's necessary to pour the concrete to a level above the inlet, the inlet must be sleeved with an 8" tube before pouring.

There must be a minimum clearance of three feet directly above the tank to allow for removal of the pump core.

- **If the tank has an accessway** (Fig. 1a): Excavate a hole to a depth, so that the removable cover extends

Figure 2a



## 120 VOLT DUPLEX WIRING

above the finished grade line. The grade should slope away from the unit. The diameter of the hole must be large enough to allow for a concrete anchor. Place the unit on a bed of gravel, naturally rounded aggregate, clean and free flowing, with particles not less than 1/8" or more than 3/4" in diameter. The concrete anchor is not optional. (See Chart 1 on page 12 for specific requirements for your unit)

The unit should be leveled and the wet well filled with water to the bottom of the inlet to help prevent the unit from shifting while the concrete is being poured. The concrete must be vibrated to ensure there are no voids.

If it is necessary to pour the

concrete to a higher level than the inlet, the inlet must be sleeved with an 8" tube before pouring.

If your unit is a model taller than 93" it may be shipped in two sections, requiring field assembly. See Field Joint Assembly Instructions on page 8 for additional information.

### 3. INLET PIPE

**INSTALLATION:** Mark the inlet Pipe 3 1/2" from the end to be inserted. Inlet pipe should be chamfered and lubricated with a soap solution. Lubricate the inlet grommet with soap solution as well. Insert the pipe into the grommet up to the 3-1/2" mark. Inspect to ensure the grommet has remained intact and in place.

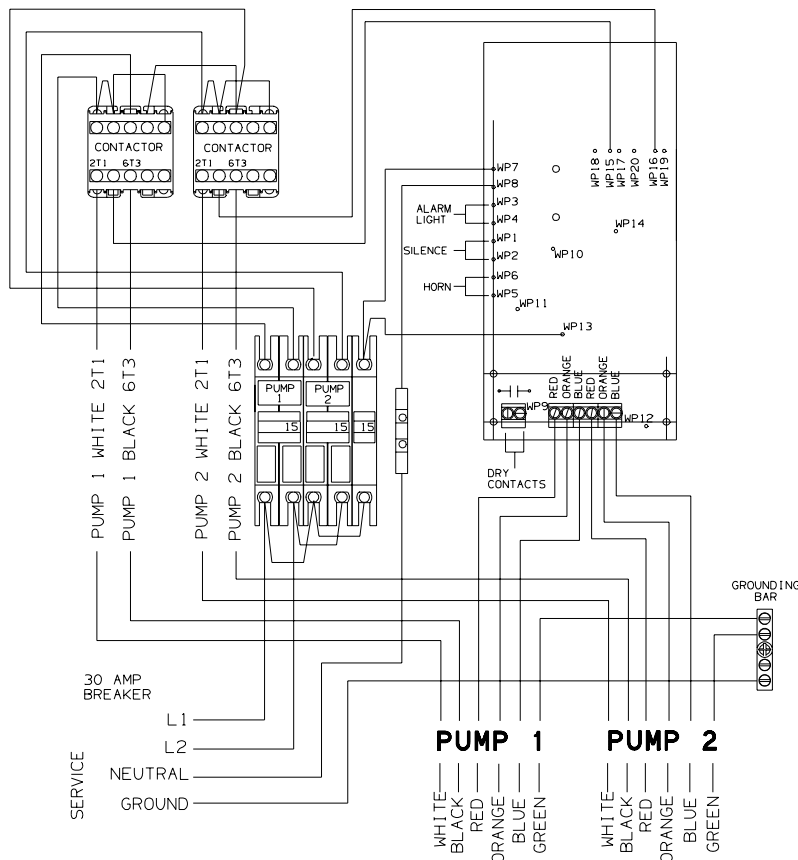
**4. DISCHARGE:** The use of 1-1/4" PVC pressure pipe Schedule 40 and polyethylene pipe SDR 11 or SDR 7 are recommended. If polyethylene is chosen use compression type fittings to provide a smooth inner passage. It is recommended that a Redundant Check Valve Assembly (E/One part no. PC0051GXX) be installed between the pump discharge and the street main on all installations. Never use a ball type valve as a check valve. We recommend the valve be installed as close to the public right-of-way as possible. Check local codes for applicable requirements.

**CAUTION:** *Redundant check valves on station laterals and anti-siphon/check valve assemblies on grinder pump cores should not be used as system isolation valves during line tests.*

- **If the tank has no accessway: (Indoor Installation)** The discharge connection is a 1-1/4" male NPT. The discharge piping must incorporate a shut-off valve and a union with a minimum pressure rating of 160 PSI, or a suitable piping disconnect to allow for removal of the pump core. The valve should be of the type that provides a full-ported passage (i.e. a ball or gate valve). A standard 1-1/4" union or a compression type coupling should be used as a disconnect joint.

- **If the tank has an accessway:** There is a ball valve and a quick disconnect pre-installed in the accessway. There is a 1-1/4" female NPT discharge connection on the outside of the tank 41" above the bottom of the tank.

Figure 2b



## 240 VOLT DUPLEX WIRING

## 5. BACKFILL

**REQUIREMENTS:** Proper backfill is essential to the long term reliability of any underground structure. Several methods of backfill are available to produce favorable results with different native soil conditions.

The most highly recommended method of backfilling is to surround the unit to grade using Class I or Class II backfill material as defined in ASTM 2321. Class 1A and Class 1B are recommended where frost heave is a concern, Class 1B is a better choice when the native soil is sand or if a high, fluctuating water table is expected. Class I, angular crushed stone offers an added benefit in that it needs minimal compaction. Class II, naturally rounded stone, may require more compactive effort, or tamping, to achieve the proper density.

If the native soil condition consist of clean compactible soil, with less than 12% fines, free of ice, rocks, roots, and organic material it may be an acceptable backfill. Such soil must be compacted in lifts not to exceed one foot to reach a final Proctor Density of between 85% and 90%. Non-compactible clays and silts are not suitable backfill for this or any underground structure such as inlet or discharge lines. If you are unsure of the consistency of the native soil it is recommended that a geotechnical evaluation of the material be obtained before specifying backfill.

Another option is the use of a flowable fill (i.e., low slump concrete). This is particularly

attractive when installing grinder pump stations in augured holes where tight clearances make it difficult to assure proper backfilling and compaction with dry materials. Flowable fills should not be dropped with more than four feet between the discharge nozzle and the bottom of the hole since this can cause separation of the constituent materials.

**6. VENTING:** The unit must be properly vented to assure correct operation of the pump. If you have an indoor unit it can be vented through the 2" port supplied at the top of the wet well or through the incoming sewer line with a 2" pipe (the vent must be within four feet of the grinder pump, and before the first change of direction fitting).

The outdoor units are supplied with a vent pipe from the wet well to the top of the accessway. Failure to *properly*

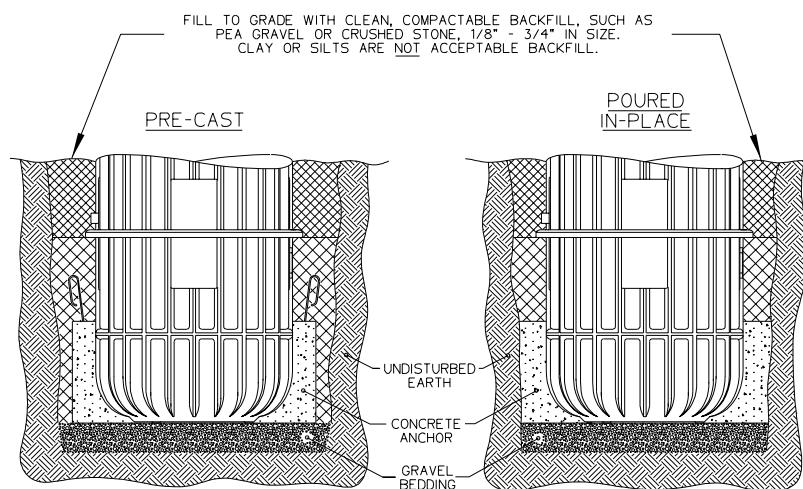
vent the tank will result in faulty operation and will void the warranty.

**7. ELECTRICAL CONNECTION:** (Supply panel to E/One Alarm Panel) Before proceeding verify that the service voltage is the same as the motor voltage shown on the name plate. An alarm device is to be installed in a conspicuous location where it can be readily seen by the homeowner. An alarm device is required on every installation. There shall be no exceptions.

Wiring of supply panel and Environment One Alarm Panel shall be per figures 2a and 2b, alarm panel wiring diagrams and local codes.

**8. ELECTRICAL CONNECTION:** (Pump to Panel) (Fig. 4) The Environment One GP2000 grinder pump station is provided with a cable for connection between the station and the alarm panel, (The

Figure 3



## TYPICAL IN-GROUND SECTION VIEW

Supply Cable). The supply cable is shipped inside the station with a small portion fed through the cable connector mounted on the wall of the fiberglass shroud. The supply cable, a six conductor tray cable, meets NEC requirements for direct burial as long as a minimum of 24" burial depth is maintained. Those portions of the cable which have less than 24" of cover must be contained in suitable conduit. This includes the vertical portion dropping to a 24" depth at the station and the length rising out of the ground at the control panel. *NOTE: Wiring must be installed per national and local codes. Conduit must enter panel from bottom and be sealed per NEC section 300.5 & 300.7.*

**8a. Procedure for installing E/One supply cable:**

1) Open the lid of the station, locate the cable and the feed-

thru connector on the wall of the shroud. If the station has a field joint and was delivered in two pieces be sure the 2 halves of the EQD are securely assembled together. Loosen the nut on the connector and pull the supply cable out through the connector until it hits the crimped on stop feature on the cable, approximately 24" from the EQD. **\*\*IMPORTANT:** *All but 24" of the cable must be pulled out of the station, and the portion of the cable between the EQD and the molded in cable breather should be secured in the hook provided to ensure that the pump functions properly. Do not leave the excess cable in the station.*

2) Retighten the nut. This connection must be tight or ground water will enter the station.

3) Feed the wire through the length of conduit (contractor provided) which will protect it until it is below the 24" burial depth.

4) Position the conduit vertically below the cable connector along side of the station reaching down into the burial depth. Attach the small fiberglass guard (Protective Shroud) provided with the station to protect the exposed cable where it enters the station. Four self-tapping screws are provided.

5) Run the cable underground, in a trench or tunnel, to the location of the E/One panel. Leave a 6-12 inch loop of cable at each end to allow for shifting and settling. Connections made at the panel are shown in the panel wiring diagram (Fig. 2a and 2b).

**9. DEBRIS REMOVAL:** Prior to start-up test procedure, the core must be removed and the incoming sewer line flushed to force all miscellaneous debris into the tank. Next, all liquid and debris must be removed. Once tank is clean, reinstall the pump and proceed with the test.

**10. TEST PROCEDURE:** When the system is complete and ready for use, the following steps should be taken to verify proper installation and operation:

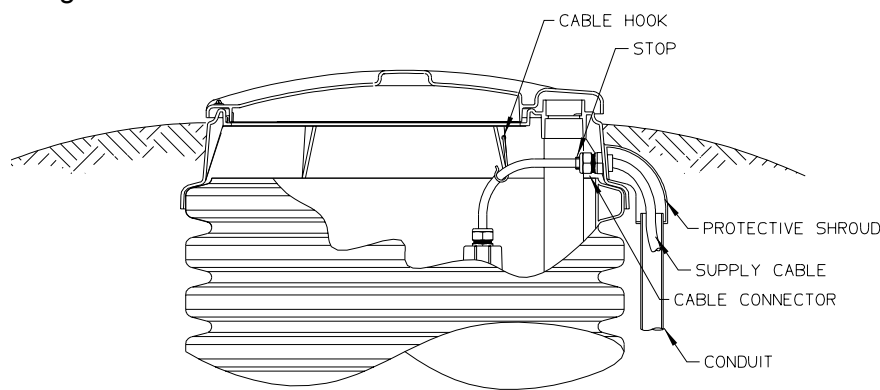
a) Make sure that the discharge shutoff valve is fully open. This valve must not be closed when the pump is operating. In some installations there may be a valve, or valves, at the street main that must also be open.

b) Turn ON the alarm power circuit breaker.

c) Fill tank with water until the alarm turns ON. Shut off water.

d) Turn ON pump power circuit breaker. Pump should immediately turn on. Within one minute the alarm will turn off. Within three minutes the pump will turn off.

Figure 4



Power at the station must not drop below 10% of nameplate voltage. Maximum Recommended Length:  
 120 Volt 60' (min. voltage at pump — 108V)  
 240 Volt 150' (min. voltage at pump — 216V)  
 Consult factory for longer lengths

## TYPICAL SUPPLY CABLE CONFIGURATION

# Field Joint Assembly Instructions

IT IS EXTREMELY IMPORTANT THAT THE JOINT IS SEALED PROPERLY BEFORE BACKFILLING. EXCAVATING A UNIT FOR REPAIR IS VERY EXPENSIVE AND CAN BE EASILY AVOIDED BY USING PROPER CAUTION DURING THE FOLLOWING PROCEDURE.

Parts included in Field Joint Kit: Identify all parts before proceeding with installation.

- (16) 3/8-16 X 1-1/2 long screws
- (16) 3/8-16 Elastic Stop Nuts
- (32) Flat Washers
- (1) Length Sealant (Sika) Tape
- (1) Hole Punch
- (1) Vent Pipe Extension

1) Carefully clean and dry both accessway flanges with solvent. **IMPORTANT: Sealing surfaces must be dry to ensure the sealant adheres correctly.**

2) Starting at one hole of tank flange, apply two layers of Sika Tape around the inside half of the flange. Align the outside edge of the tape with the bolt circle. Move to the adjacent hole and apply one layer of Sika Tape around the outside of the flange. Align inside of tape with the bolt circle. Remove the backing paper as you lay the adhesive on the flange. **Do not stretch Sika tape during application, it may result in a leak.** The tape should overlap at the end by approximately 1/2 inch, as shown in Fig. 5a. If a section of Sika Tape is misapplied, the bad section may be cut out and replaced. Cut away the poorly laid portion cleanly with a knife and be sure to overlap the tape at each end about 1/2 inch.

3) Using the tool provided, punch a hole through the tape at each of the 16 existing bolt holes in the flange. Be careful to keep the exposed sealant

clean and dry.

4) Insert three of the sixteen 3/8-16 x 1-1/2" long bolts, with a flat washer, into the flange attached to the upper part of the accessway. These will act as guides while aligning the bolt pattern of the two flanges.

5) Support the upper accessway section a few inches over the tank with the green stripes on each lined up. Once aligned, lower the upper section onto the mating flange using the three bolts to guide it to the proper position (Fig. 5b).

6) Insert the remaining 13 bolts with flat washers into the flanges. Place a flat washer and elastic stop nut on the end of each bolt, turning the nut on just enough to hold the washer in place.

7) Tighten up the bolts until the sealant begins to squeeze out from between the flanges. To ensure a consistent, sturdy seal tighten them in the following sequence: 1, 9; 5, 13; 3, 11; 7, 15; 2, 10; 4, 12; 6, 14; 8, 16. Always be sure to tighten

one bolt and then the bolt at the position 180° from it, see figure 1 for position numbers.

8) Using the same sequence as in step 7 tighten each bolt to 60 inlbs. Visually inspect the joint, each bolt and each nut should have a flat washer between it and the flange, and a uniform amount of sealant should be protruding from the seam along the entire perimeter.

**In the event that there are any voids in the sealant, the joint may leak. Take corrective actions if necessary and be sure that the joint is leak free before continuing.**

9) Install the vent pipe extension piece which was shipped inside the upper piece of the accessway. Push the extension pipe into the bell mouth fitting on the pipe installed in the wet well tank. Be sure the pipe is seated correctly. Slide the top end of the extension pipe into the receptacle on the bottom of lid.

Figure 5a

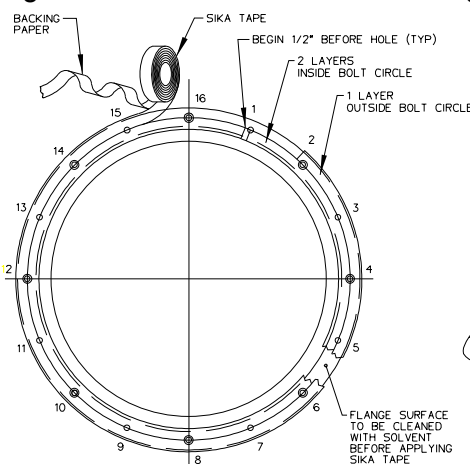
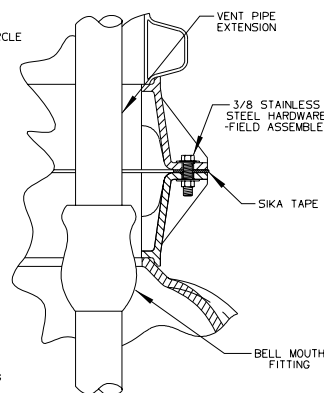


Figure 5b



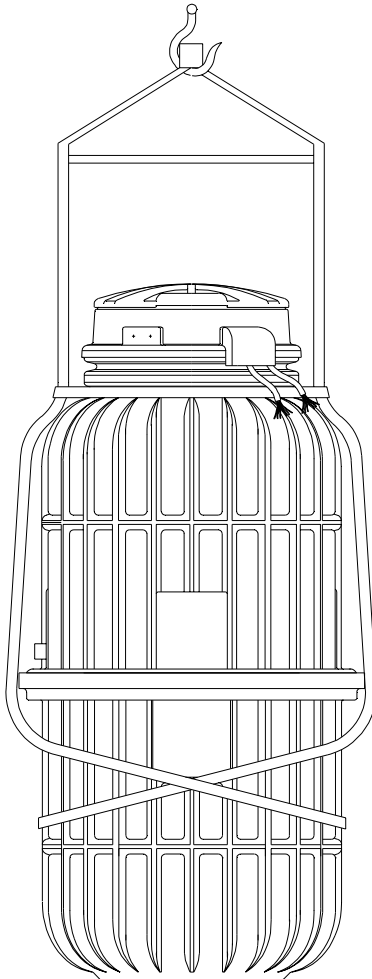


# Lifting Instructions

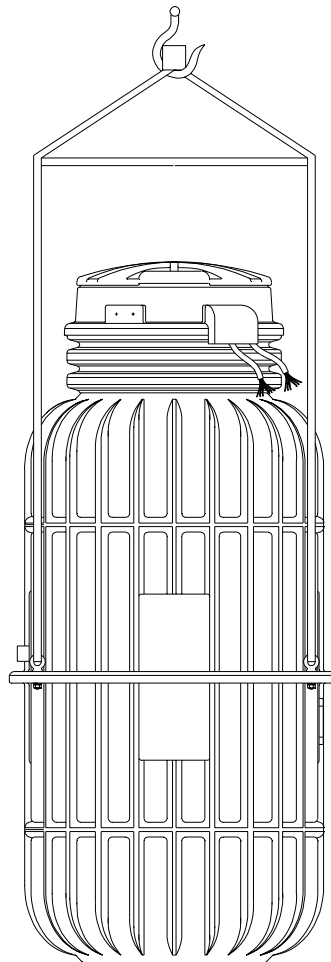
FAILURE TO FOLLOW THESE INSTRUCTIONS COMPLETELY WILL VOID WARRANTY.

\* Transporting unit to installation site: **Always lift a unit from the bottom for the purpose of transportation. The station should be received attached to a pallet for this purpose.** Never roll a station or move it on its side.

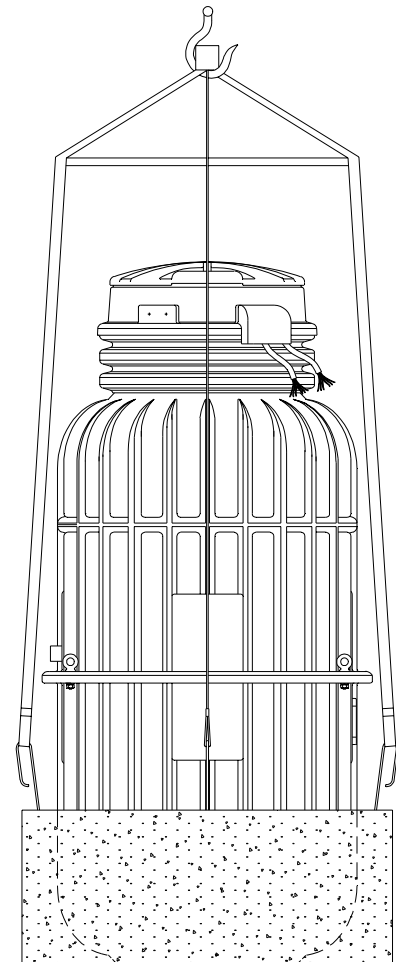
1. No Ballast, No Eye bolts (Ballast to be poured in place): If the concrete anchor is to be poured while the station is in place and it has no eye bolts, lift the unit by securing two (2) 20 foot flat or round eye slings around the station. Loop the slings around the station and use an appropriate lifting beam or tie-down strap to ensure the safety of the station and people close to the unit. (see below)



2. No Ballast, Factory Installed Eye Bolts (Ballast to be poured in place): If the concrete anchor is to be poured while the station is in place lift the unit by securing straps to the eyebolts supplied on the lower flange, as shown below. Keep station oriented vertically to avoid any damage. Only lift from the eyebolts to put unit in hole, not for moving any distance. (see below)



3. Precast Ballast: Never lift a station that has a ballast attached by any means except the rebar hooks. The weight of the concrete will damage the station if you attempt to lift it from any part of the station. (see below)



# **E/One Series 2000 Grinder Pump Station Ballast Calculations**

Any buried vessel that is submerged, or partially submerged, in water will be acted on by an upward buoyant force that attempts to return the vessel to a non-submerged state. The magnitude of this buoyant force is equal to the volume of the vessel that is submerged multiplied by the density of water. On most in-ground installations a ballast, or concrete anchor, of proper volume and weight is required to resist the buoyant force. The amount of ballast required for a given set of installation site conditions may be calculated as follows.

## **Installation Site Assumptions**

1. Low water table – under worst case ground water or flood conditions only the wet well portions of the E/One grinder pump stations will be submerged.
2. Backfill materials are per E/One Installation Instructions (Models 2010, 2012, 2014, 2015 & 2016).
3. The consulting engineer should perform a soil test to determine if the assumptions that have been made are valid. If the site conditions differ from these assumptions, then the consulting engineer must revise the calculations as shown in this document.

## **Physical Constants**

1. Density of Water = 62.4 lb/cu ft
2. Density of Concrete = 150 lb/cu ft (in air)
3. Density of Concrete = 87.6 lb/cu ft (in water)
4. Density of Dry Compacted Backfill = 110 lb/cu ft
5. Density of Saturated Backfill = 70 lb/cu ft

## **Procedure**

### **A. Determine The Buoyant Force Exerted On The Station**

1. Determine the buoyant force that acts on the grinder pump station when the wet well is submerged in water.
2. Subtract the weight of the station from the buoyant force due to the submerged wet well to determine the net buoyant force acting on the station.

### **B. Determine The Ballast Force Exerted On The Station**

1. Determine the ballast force applied to the station from the concrete, saturated soil and dry soil

### **C. Subtract The Ballast Force From the Buoyant Force.**

1. Note – if the installation site conditions are different from those listed above, the consulting engineer should recalculate the concrete ballast.

## **Ballast Calculations**

The following calculations are to outline the areas used to determine the volumes of the different materials for the ballast. All sections referred to in the calculations are marked on the accompanying drawing.

# E/One Series 2000 Grinder Pump Station Ballast Calculations

## Sample Calculation GP 2014-93 Station

Volume of Station Wet Well = 22.0 cu ft  
Station Weight = 470 lb  
Station Height = 93.5"

### A. Buoyant Force

1. The buoyant force acting on the submerged GP 2014-93 is equal to the weight of the displaced water for the section of the tank that is submerged (wet well).

$$\begin{aligned}F_{\text{buoyant}} &= (\text{density of water})(\text{volume of 2014-93 wet well}) \\ &= (62.4 \text{ lb/cu. ft})(22.0 \text{ cu. ft}) \\ &= 1372.8 \text{ lb}\end{aligned}$$

2. The net buoyant force acting on the station ( $F_{\text{net-buoyant}}$ ) is equal to the buoyant force ( $F_{\text{buoyant}}$ ) minus the weight of the grinder pump station.

$$\begin{aligned}F_{\text{net-buoyant}} &= 1372.8 \text{ lb} - 470 \text{ lb} \\ &= 902.8 \text{ lb}\end{aligned}$$

### B. Ballast Force

1. Determine the volume of concrete (if applicable) & soil (saturated and dry)

#### Section I: Used To Determine The Volume Of Concrete

$$\begin{aligned}\text{Area} &= (\text{Height})(\text{Width}) + (\text{Triangular Area}) \\ &= (20'')(3.1'') + (1/2)(7'')(5.5'') \\ &= 81.3\text{in}^2\end{aligned}$$

$$\begin{aligned}\text{Volume} &= (\text{Area})(\text{Average Perimeter of the cylinder}) \\ &= (81.3\text{in}^2)(2\pi)(20.95'') \\ &= (10695.2 \text{ in}^3)(1/1728 \text{ ft}^3/\text{in}^3) \\ &= 6.1 \text{ ft}^3\end{aligned}$$

#### Section II: Used To Determine The Volume Of Saturated Soil

$$\begin{aligned}\text{Area} &= (\text{Height})(\text{Width}) \\ &= (16.5'')(3.1'') \\ &= 51.2\text{in}^2\end{aligned}$$

$$\begin{aligned}\text{Volume} &= (\text{Area})(\text{Average Perimeter of the cylinder}) \\ &= (51.2\text{in}^2)(2\pi)(21.0'') \\ &= (6755.7 \text{ in}^3)(1/1728 \text{ ft}^3/\text{in}^3) \\ &= 3.9 \text{ ft}^3\end{aligned}$$

# E/One Series 2000 Grinder Pump Station Ballast Calculations

## Sample Calculation GP 2014-93 Station Continued

Section III: Used To Determine The Volume Of Dry Soil

$$\begin{aligned} \text{Area} &= (\text{Height})(\text{Width}) + (\text{Top Area}) \\ &= (36.5'')(3.1'') + (17.5'')(9.3'') \\ &= 275.9\text{in}^2 \end{aligned}$$

$$\begin{aligned} \text{Volume} &= (\text{Area})(\text{Average Perimeter of the cylinder}) \\ &= (275.9\text{in}^2)(2\pi)(17.9'') \\ &= (31030.2 \text{ in}^3)(1/1728 \text{ ft}^3/\text{in}^3) \\ &= 18.0 \text{ ft}^3 \end{aligned}$$

2. Determine the combined ballast

Ballast (total) = Ballast (concrete) + Ballast (saturated soil) + Ballast (dry soil)

$$\begin{aligned} &= (V_{\text{concrete}})(\text{density concrete in water}) + (V_{\text{soil}})(\text{density wet soil}) + (V_{\text{soil}})(\text{density dry soil}) \\ &= (6.1 \text{ cu ft})(87.6 \text{ lb/ft}^3) + (3.9 \text{ cu ft})(70 \text{ lb/ft}^3) + (18.0 \text{ cu ft})(110 \text{ lb/ft}^3) \\ &= 534.4 \text{ lb} + 273 \text{ lb} + 1980 \text{ lb} \\ &= 2787.4 \text{ lb} \end{aligned}$$

C. Subtract the buoyant force from the ballast force to determine the final condition

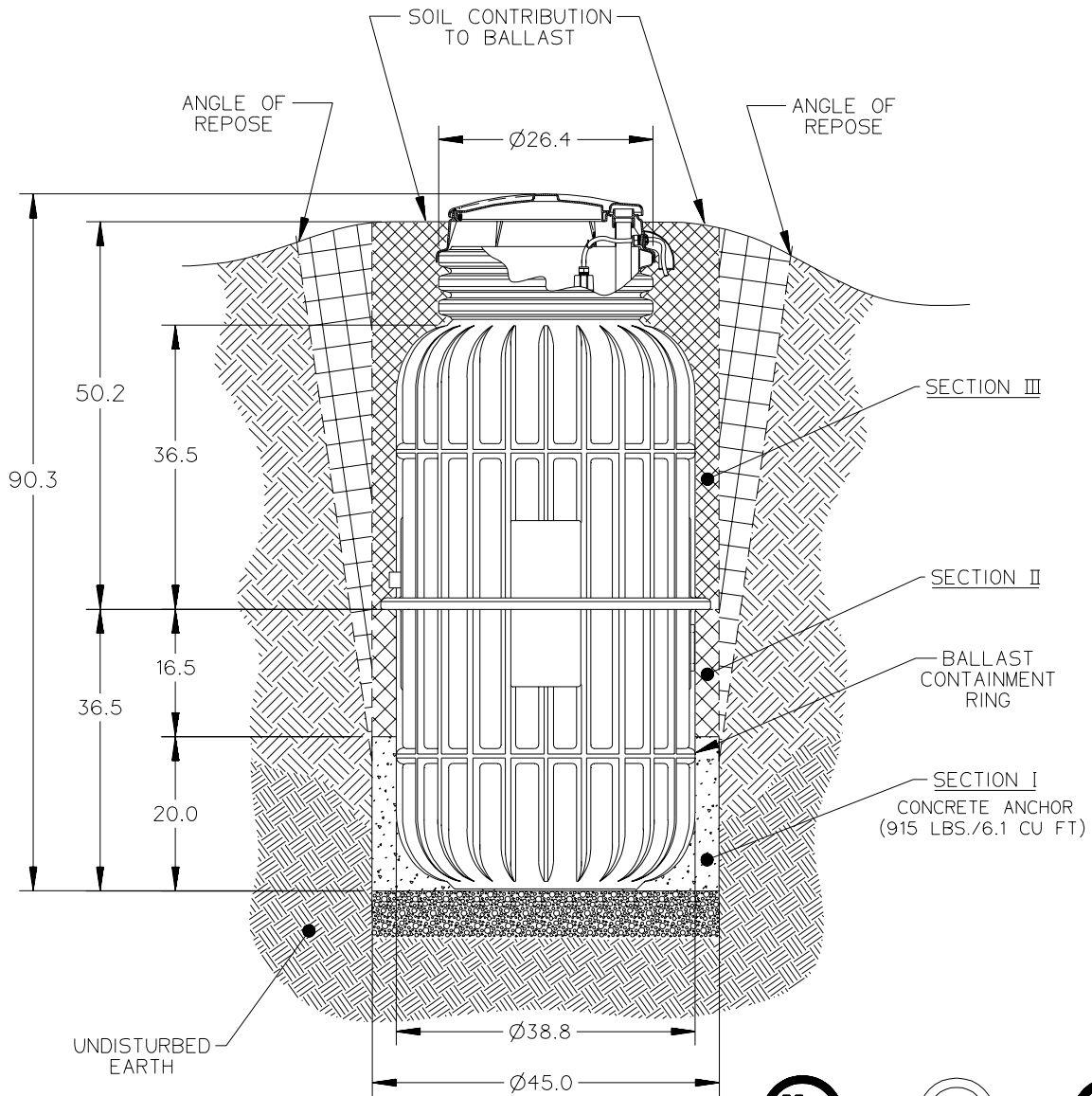
$$\begin{aligned} \text{Final Condition} &= \text{Ballast Force} - \text{Buoyant Force} \\ &= 2787.4 \text{ lb} - 902.8 \text{ lb} \\ &= 1884.6 \text{ lb} \end{aligned}$$



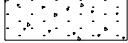

The approach outlined above may be used to calculate the ballast requirements listed below.

GP Model	Wet Well Volume (cu ft)	FNet-Buoyant (lb)	Station Weight (lb)	Fballast (lb)	Volume Concrete (cu ft)	Weight Concrete in Air (lb)
2014-93	22	902.8	470	2787.4	6.1	915
2014-129	22	863.8	509	5174.4	6.1	915
2014-160	22	833.8	539	7253.4	6.1	915

**Chart 1**

2014 - 93



-  SECTION III - DRY SOIL (ACCESS WAY)
-  SECTION II - SATURATED SOIL (WET WELL)
-  SECTION I - CONCRETE ANCHOR
-  ROUND AGGREGATE (GRAVEL)



DRL	-	10/23/01	-	1/20
DR BY	CHK'D	DATE	ISSUE	SCALE



BALLAST INFORMATION  
2014 SERIES

# Adjusting the Height of a 2000 Series Grinder Pump Station

## REMOVE EXISTING COVER ASSEMBLY (Fig. 6)

If your existing station has a welded-on cover shroud you will need the appropriate replacement cover kit (see Table 2, page 15).

1. Turn off all power to the grinder pump station.
2. Remove the tank lid and the electrical shroud.
3. Unplug the electrical quick disconnect (EQD) and remove the EQD from the supply cable. *Note: DO NOT CUT CABLE.* Loosen liquid tight cable connector and pull the supply cable out through the connector on the side of tank.
4. Tape the pump breather cable to the vent pipe in the tank.
5. Remove the soil around the tank, exposing three of the tank corrugations below grade. Use caution not to damage buried cable.
6. Remove existing cover shroud.
  - 6a. Welded-on shroud (standard) - Using a hand saw, cut the tank in the valley between the two corrugations at grade, discard existing welded-on shroud and attached corrugations (*shroud is not to be reused*). *Caution: Be careful not to cut either the vent pipe or the pump breather cable.*
  - 6b. Clamped-on shroud - Remove band clamp and cover shroud.

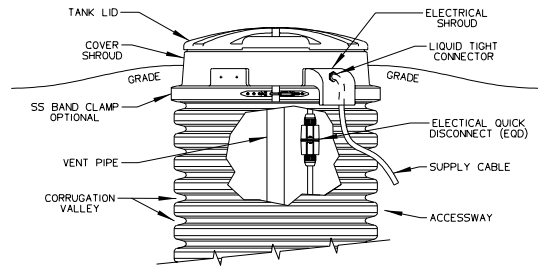


Figure 6

## REDUCING STATION HEIGHT (Fig. 7)

7. Using a hand saw, cut the tank in the valley between the two corrugations at grade.
8. Cut vent pipe 4 3/4" above the cut made on the tank. *Proceed to step 16.*

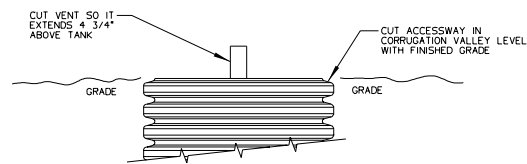


Figure 7

## INCREASING STATION HEIGHT (Fig. 8 and Fig. 9)

9. Remove the soil around the tank exposing it 18" deeper than the extension being installed. For example, if you have a 2' extension (not including the coupler) you must dig down 3'6" minimum from grade; if you have a 4' extension (not including the coupler) you must dig down 5'6" minimum from grade. Use caution not to damage buried cable.

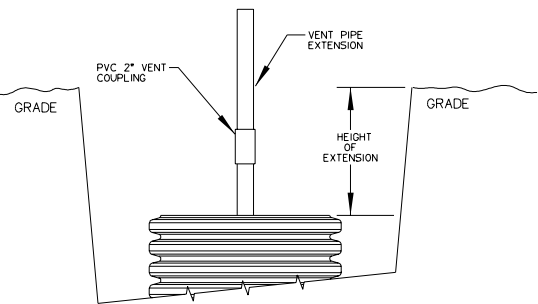


Figure 8

10. Measure from grade down 2' (for a 2' extension) or 4' (for a 4' extension) and mark accessway. Using a hand saw, cut the tank in the valley between the two corrugations that are closest to your mark. *Note: Make sure the welded-on shroud of the extension will be at grade level. Be sure you are not cutting into the wet well and you must have two corrugations below your cut, if there are less than two corrugations, this extension kit can not be used.*

*Caution: Be careful not to cut either the vent pipe or the pump breather cable.*

11. Attach the vent pipe extension with the 2" vent coupling, bringing the vent well above grade.
12. Clean all dirt and debris from top four corrugations on

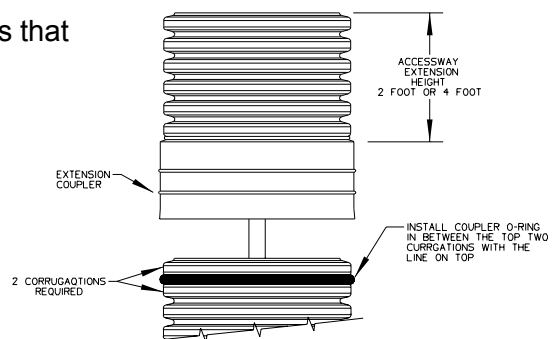


Figure 9

tank. Install the 24" coupler O-ring on the tank between the top two corrugations with the white or yellow line facing out and on top.

13. Lube extension coupler and coupler O-ring with pipe lube or dish soap.

14. Manually press coupling evenly over lubricated O-ring. If additional force is needed, place a plywood cover over the accessway and apply gentle mechanical pressure to the coupler. *Note: Care must be used when pushing down on the coupler. Excessive force or impact may result in damage and leakage.*

15. Frequent visual inspections during installation must be performed to determine when the tank has fully engage the coupler.

### INSTALL REPLACEMENT COVER ASSEMBLY

(Fig. 10)

16. Clean top corrugation on accessway extension and mating surface of replacement shroud with acetone.

17. Liberally apply the silicone sealer provided to the under side of the replacement shroud where it will come in contact with the accessway extension.

18. Lube wet well vent grommet and vent pipe extension with pipe lube, non-grit hand cleaner or dish soap and slide vent pipe through grommet until tank shroud seats to accessway.

19. Place SS band clamp around top corrugation and the replacement shroud. Tap with a mallet around clamp to help seat the clamp. Torque stud assembly on band clamp to a maximum 125 inlb.

20. Reinstall the supply cable, EQD\*\*, tank lid and electrical shroud and tighten cable connector. (\*\*See "EQD wiring order," Table 1)

21. Follow start-up procedures to ensure proper pump operation (you will find the start-up instructions in our service manual or the station installation instruction guide).

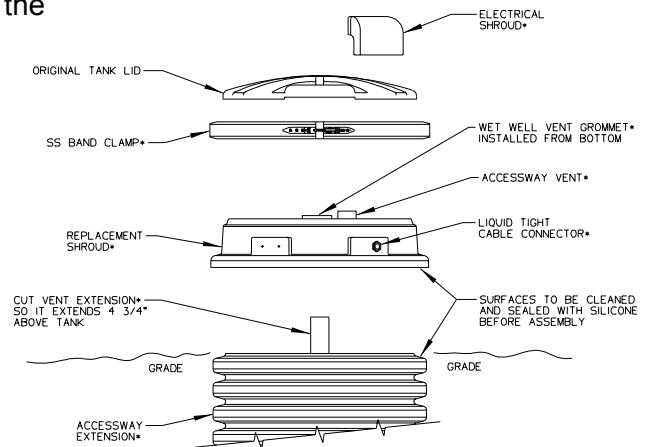


Figure 10

\*\*EQD wiring order

PIN #	COLOR
1	Red
2	Black
3	White
4	Green
5	Orange
6	Blue

Table 1

Table 2

DESCRIPTION	PART NO.
Simplex station	PC0569G15
Simplex, flood plain config	PC0569G16
Duplex station	PC0569G17
Duplex, flood plain config	PC0569G18

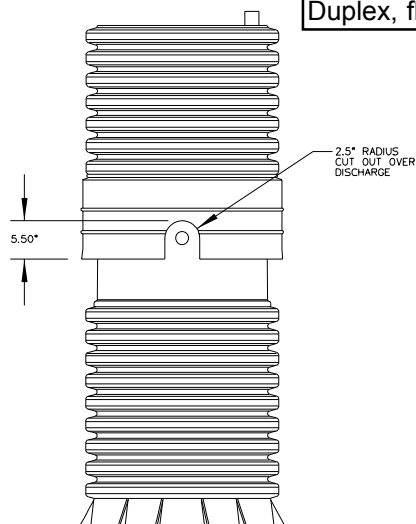


Figure 11

### NOTE: IF EXISTING ACCESSWAY HAS ONLY 2 CORRUGATIONS (Fig. 11)

- If the coupler will not engage completely because the discharge piping is in the way, and it doesn't have a cut out, you will need to cut a slot in the coupler.

- Using a hand, reciprocating or hole saw, cut an arch in the coupler; the cut-out is not to exceed 5.50" tall or 5.00" wide.

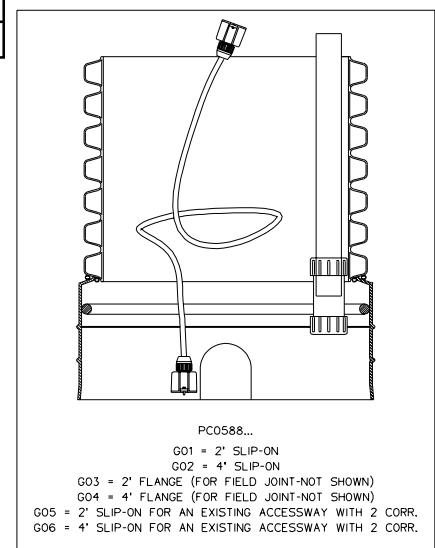


Figure 12









*A Precision Castparts Company*

---

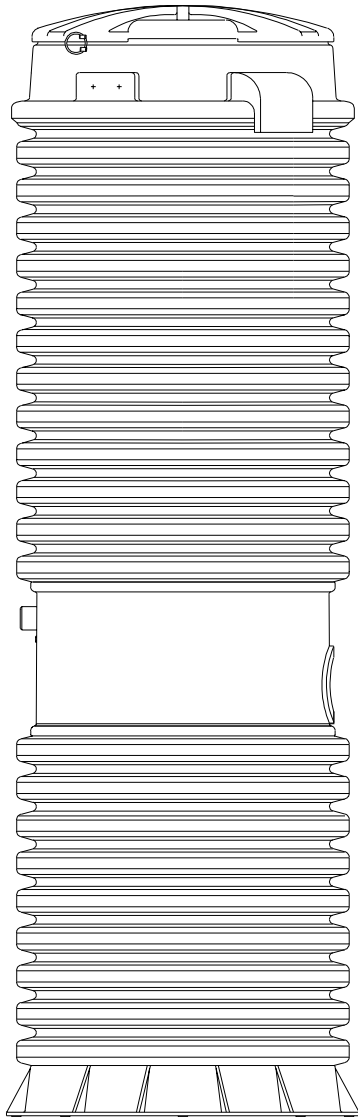
Environment One Corporation  
2773 Balltown Road  
Niskayuna, New York 12309-1090

Voice: (01) 518.346.6161  
Fax: 518.346.6188

[www.eone.com](http://www.eone.com)

PA1441P01 Rev. K  
1/06

# User Instructions for the Environment One Grinder Pump



Congratulations on your Environment One grinder pump investment. With proper care and by following a few guidelines, your grinder pump will give you years of dependable service.

## Care and Use of your Grinder Pump

The Environment One grinder pump is capable of accepting and pumping a wide range of materials. Regulatory agencies advise that the following items should not be introduced into any sewer, either directly or through a kitchen waste disposal unit:

Glass	Diapers, socks, rags or cloth
Metal	Plastic objects (toys, utensils, etc.)
Seafood shells	Sanitary napkins or tampons
Goldfish stone	Kitty litter

In addition, you must **never** introduce into any sewer:

Explosives	Strong chemicals
Flammable material	Gasoline
Lubricating oil and/or grease	

## Periods of Disuse

If your home or building is left unoccupied for longer than a couple of weeks, perform the following procedure:

**Purge the System.** Run clean water into the unit until the pump activates. Immediately turn off the water and allow the grinder pump to run until it shuts off automatically.

**Duplex Units.** Special attention must be taken to ensure that both pumps turn on when clean water is added to the tank.

**Caution: Do not disconnect power to the unit**

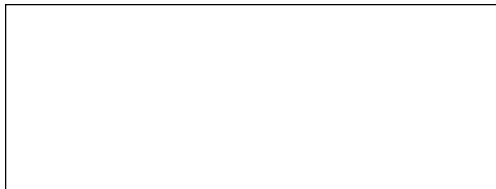
## Power Failure

Your grinder pump cannot dispose of wastewater without electrical power. If electrical power service is interrupted, keep water usage to a minimum.

## Pump Failure Alarm

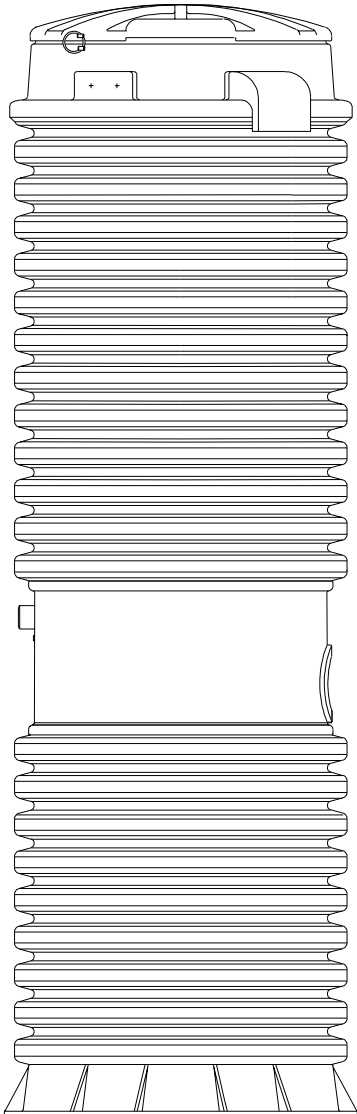
Your Environment One grinder pump has been manufactured to produce an alarm signal (120 volt) in the event of a high water level in the basin. The installer must see that the alarm signal provided is connected to an audible and/or visual alarm in such a manner as to provide adequate warning to the user that service is required. During the interim prior to the arrival of an authorized service technician, water usage must be limited to the reserve capacity of the tank.

**For service, please call your local distributor:**



## General Information

In order to provide you with suitable wastewater disposal, your home is served by a low pressure sewer system. The key element in this system is an Environment One grinder pump. The tank collects all solid materials and effluent from the house. The solid materials are then ground to a small size suitable for pumping as a slurry with the effluent water. The grinder pump generates sufficient pressure to pump this slurry from your home to the wastewater treatment receiving line and/or disposal plant.



# Limited Warranty

1000 Series, 2000 Series, AMGP

Environment One Corporation offers a limited warranty that guarantees its product to be free from defects in material and factory workmanship for a period of two years from the date of installation, or 27 months from the date of shipment, whichever occurs first, provided the product is properly installed, serviced and operated under normal conditions and according to manufacturer's instructions. Repair or parts replacement required as a result of such defect will be made free of charge during this period upon return of the defective parts or equipment to the manufacturer or its nearest authorized service center.

Model Number: \_\_\_\_\_

Serial Number: \_\_\_\_\_

Installation Date: \_\_\_\_\_



SEWER SYSTEMS

2773 Balltown Rd • Niskayuna NY USA 12309  
(01) 518.346.6161 • [www.eone.com](http://www.eone.com)