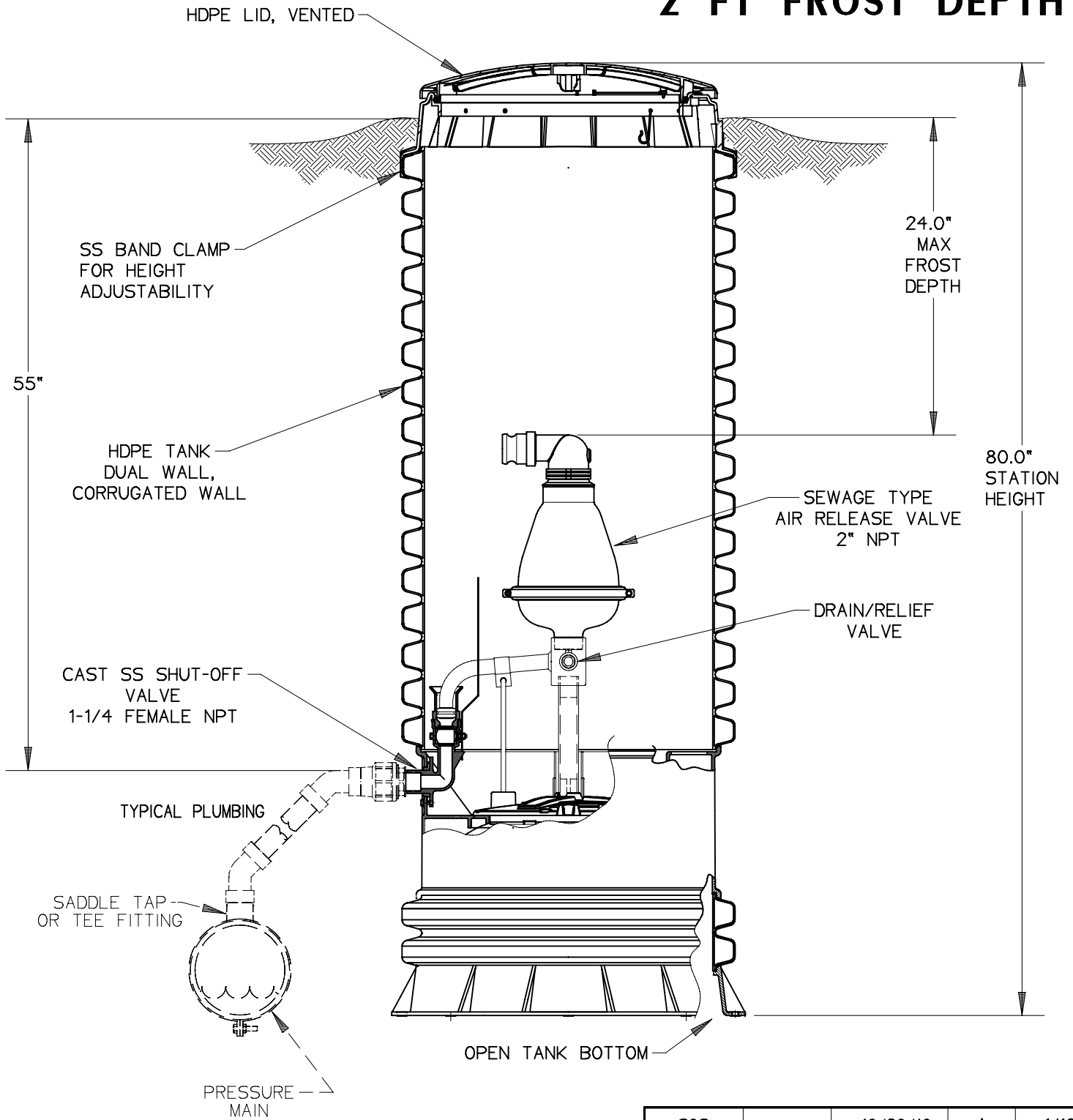


# AIR RELEASE STATION 2 FT FROST DEPTH



**NOTES:**

1. ALL ITEMS SHOWN IN DASHED LINES ARE FOR REFERENCE ONLY, AND ARE SUPPLIED BY OTHERS

ORDER NUMBER: NC0078G01

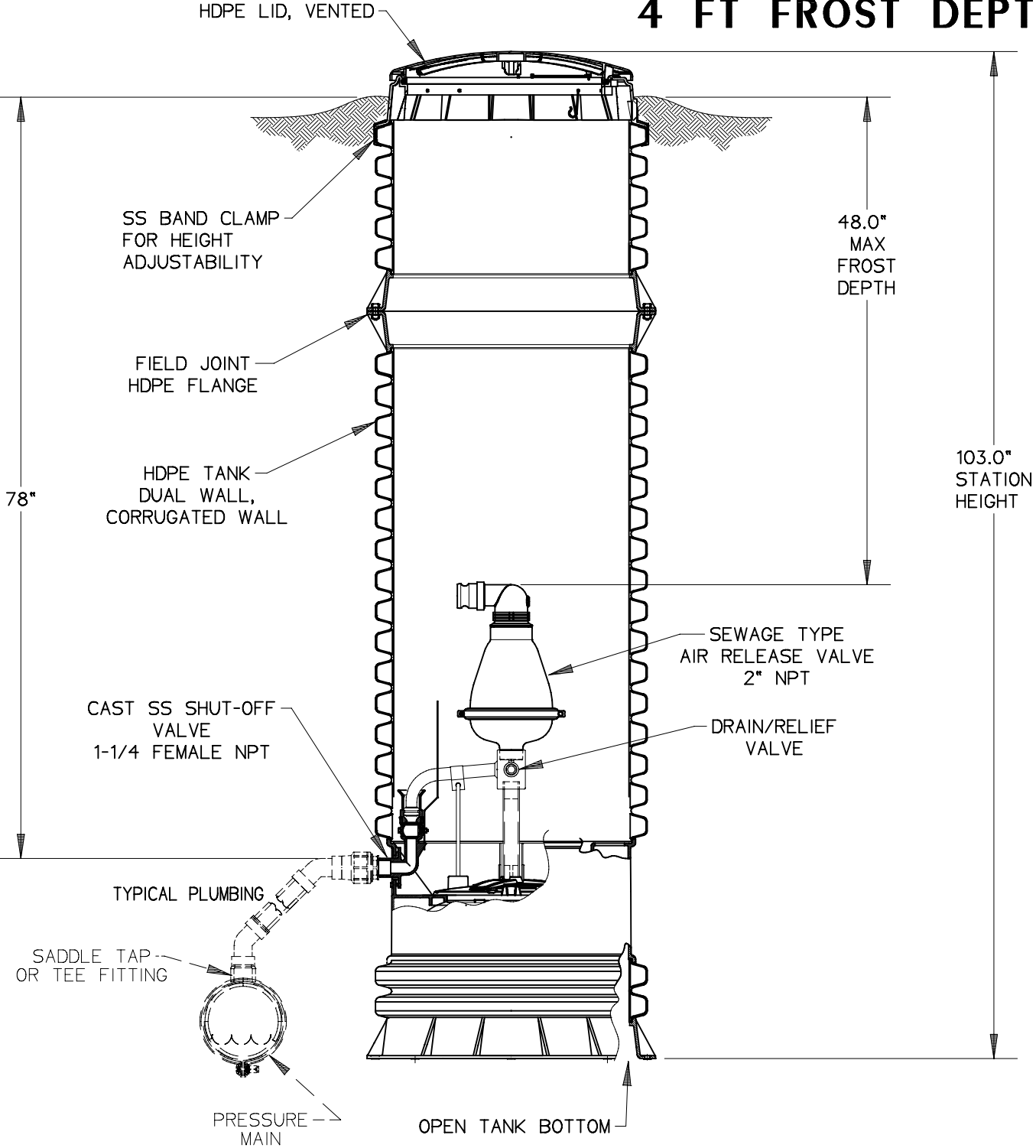
SGS		10/20/10	A	1/16
DR BY	CHK'D	DATE	ISSUE	SCALE



CUT SHEET, AIR RELEASE STATION  
FOR 2' FROST DEPTH

NA0183P01

# AIR RELEASE STATION 4 FT FROST DEPTH



**NOTES:**

1. ALL ITEMS SHOWN IN DASHED LINES ARE FOR REFERENCE ONLY, AND ARE SUPPLIED BY OTHERS

SGS		10/20/10	A	1/16
DR BY	CHK'D	DATE	ISSUE	SCALE

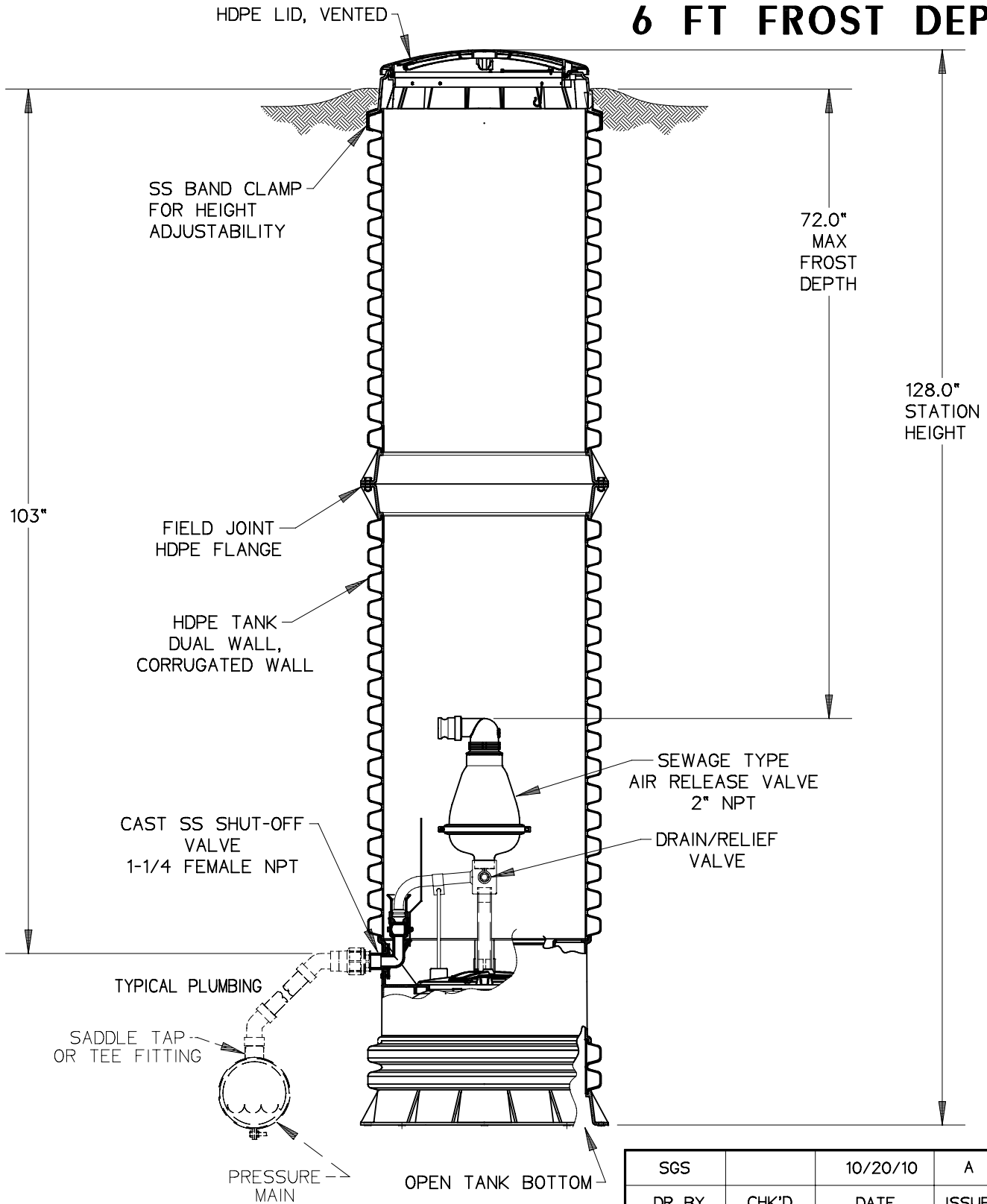


CUT SHEET, AIR RELEASE STATION FOR 4' FROST DEPTH

NA0183P02

ORDER NUMBER: NC0078G02

# AIR RELEASE STATION 6 FT FROST DEPTH



**NOTES:**

1. ALL ITEMS SHOWN IN DASHED LINES ARE FOR REFERENCE ONLY, AND ARE SUPPLIED BY OTHERS

SGS		10/20/10	A	1/16
DR BY	CHK'D	DATE	ISSUE	SCALE

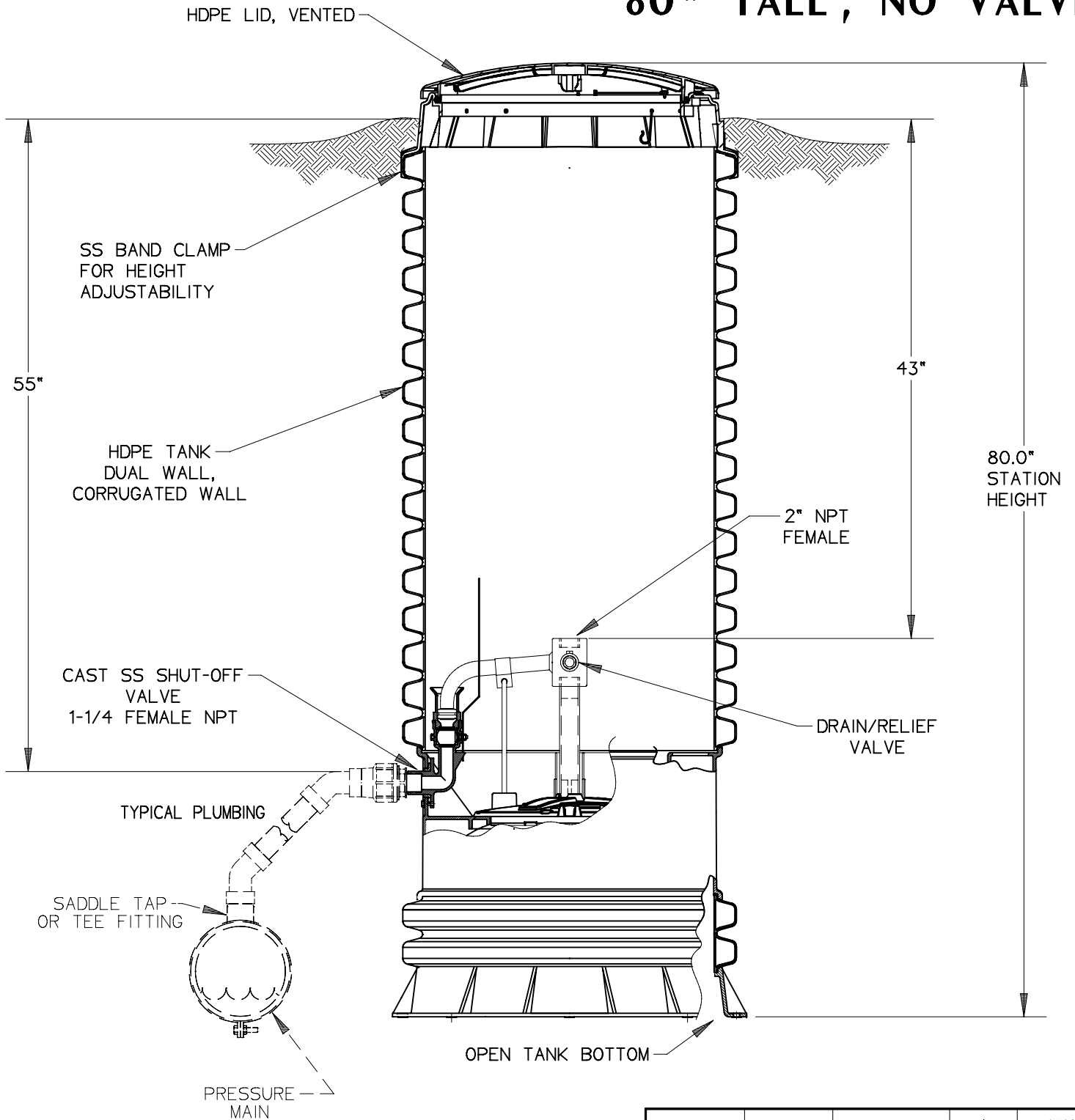


CUT SHEET, AIR RELEASE STATION  
FOR 6' FROST DEPTH

ORDER NUMBER: NC0078G03

NA0183P03

# AIR RELEASE STATION 80" TALL, NO VALVE



**NOTES:**

1. AIR RELEASE VALVE, NOT INCLUDED, IS TO BE BELOW FROST DEPTH
2. ALL ITEMS SHOWN IN DASHED LINES ARE FOR REFERENCE ONLY, AND ARE SUPPLIED BY OTHERS

ORDER NUMBER: NC0078G04

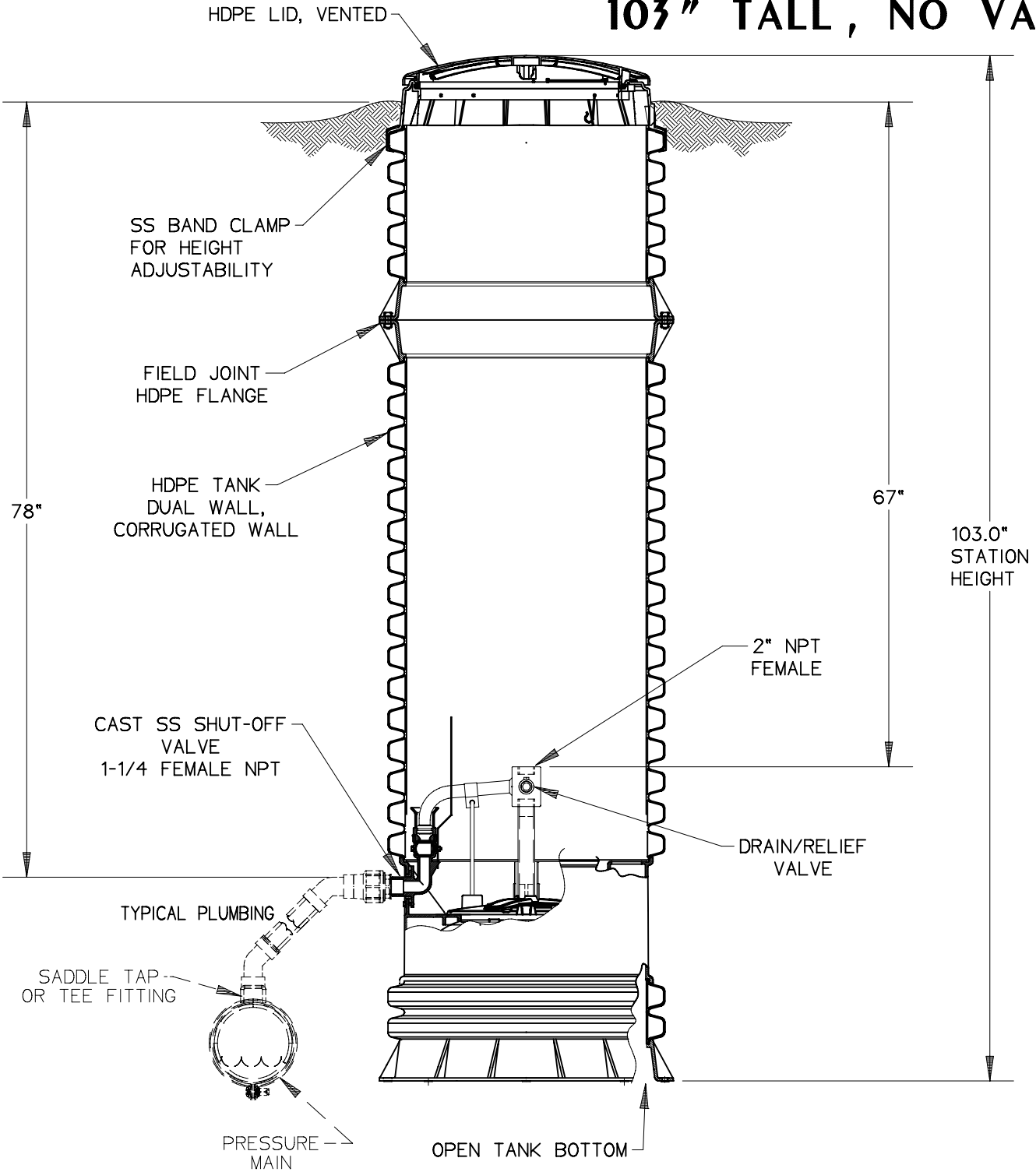
SGS		10/20/10	A	1/16
DR BY	CHK'D	DATE	ISSUE	SCALE



CUT SHEET, AIR RELEASE STATION  
80" TALL, NO VALVE

NA0183P04

# AIR RELEASE STATION 103" TALL, NO VALVE



**NOTES:**

1. AIR RELEASE VALVE, NOT INCLUDED, IS TO BE BELOW FROST DEPTH
2. ALL ITEMS SHOWN IN DASHED LINES ARE FOR REFERENCE ONLY, AND ARE SUPPLIED BY OTHERS

SGS		10/20/10	A	1/16
DR BY	CHK'D	DATE	ISSUE	SCALE

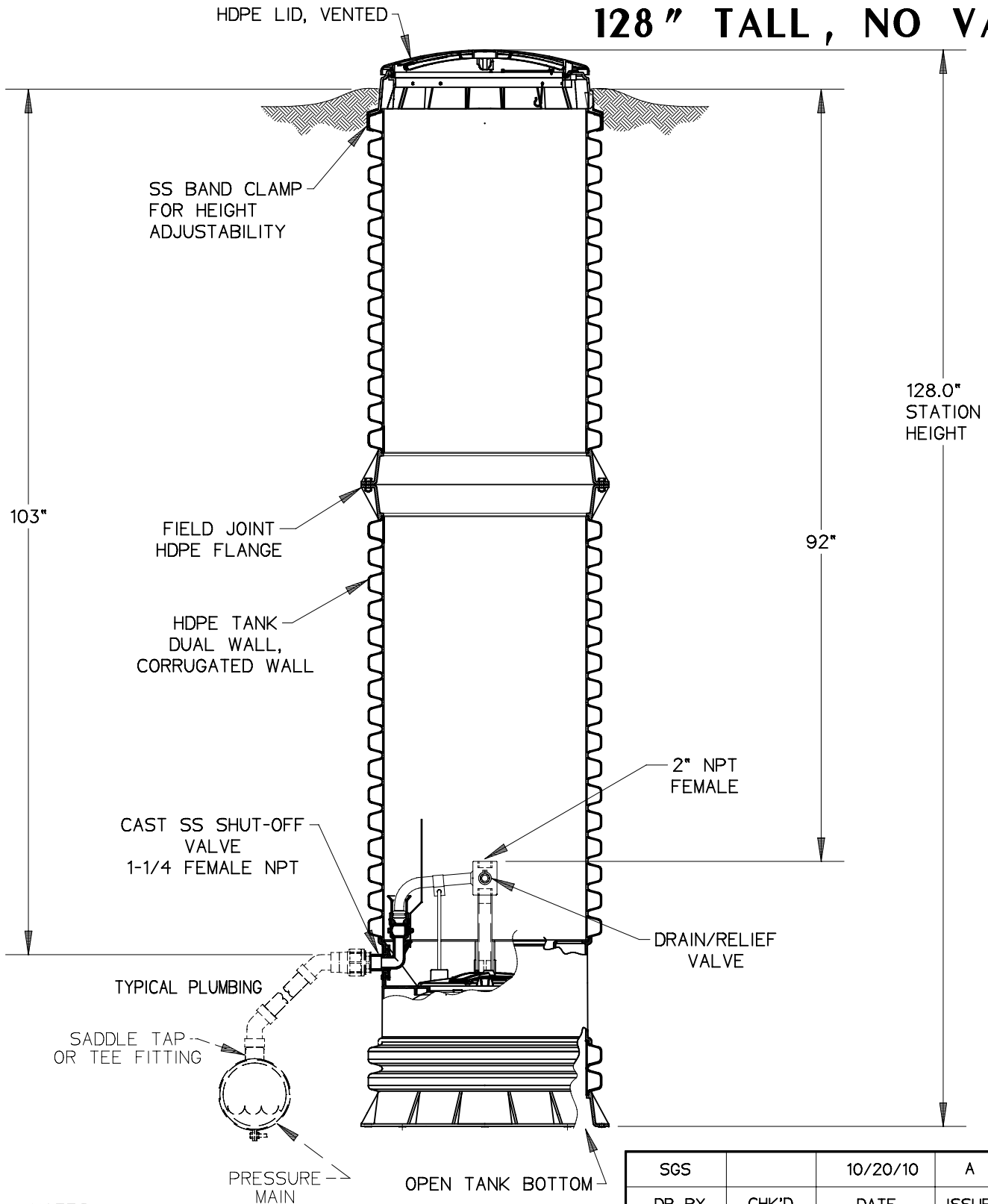


CUT SHEET, AIR RELEASE STATION  
103" TALL, NO VALVE

ORDER NUMBER: NC0078G05

NA0183P05

# AIR RELEASE STATION 128" TALL, NO VALVE



**NOTES:**

1. AIR RELEASE VALVE, NOT INCLUDED, IS TO BE BELOW FROST DEPTH
2. ALL ITEMS SHOWN IN DASHED LINES ARE FOR REFERENCE ONLY, AND ARE SUPPLIED BY OTHERS

ORDER NUMBER: NC0078G06

SGS		10/20/10	A	1/16
DR BY	CHK'D	DATE	ISSUE	SCALE



CUT SHEET, AIR RELEASE STATION  
128" TALL, NO VALVE

NA0183P06