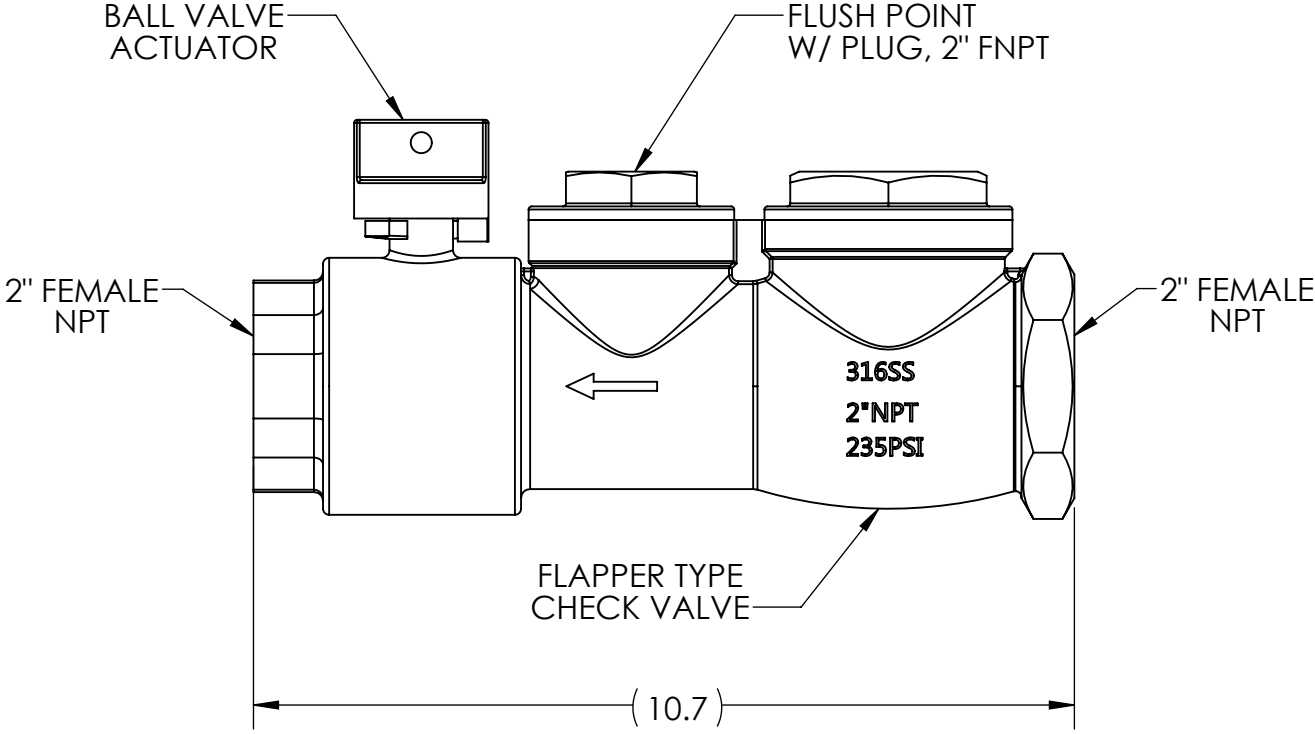


**STAINLESS STEEL
2" LATERAL ASSEMBLY
NO FITTINGS**



PART IS A BALL VALVE CURB STOP WITH FEMALE PIPE THREADS,
VALVE POSITION STOPS (OPEN/CLOSED),
WITH FLUSH POINT AND INTEGRAL CHECK VALVE

NOTES:

- 1. MATERIAL: 316 STAINLESS STEEL
- 2. PRESSURE RATING: 235 PSI
- 3. TO ORDER SS 2" LATERAL, NO FITTINGS
USE PART NUMBER NC0443P01

NKS	11/06/17	DN	-	N/A
DR BY	DATE	CHK'D	ISSUE	SCALE
 SEWER SYSTEMS				
2" LATERAL ASSEMBLY 316 STAINLESS STEEL				
NA0330P06				

**STAINLESS STEEL
LATERAL KIT
2" VALVE
2" SDR 11 HDPE PIPE
2" TANK NPT**

LID ASSEMBLY WITH PENTAGON HEAD PLUG
MATERIAL: CAST IRON

EXTENSION TYPE CURB BOX WITH ARCH PATTERN BASE
MATERIAL: ABS

AVAILABLE LENGTHS.....	18-30"	PART NUMBER
	30-42"	PB0930G07
	36-54"	PB0930G08
	42-66"	PB0930G09
	48-78"	PB0930G10
	60-102"	PB0930G11
		PB0930G12

ORDERED SEPARATELY USING PART NUMBER FROM ABOVE

LARGE CURB BOX

2" SDR 11
HDPE PIPE
(BY OTHERS)

COMPRESSION ADAPTER FITTING
MATERIAL: POLYPROPYLENE
(ASSEMBLED BY OTHERS)

COMPRESSION ADAPTER FITTING
MATERIAL: POLYPROPYLENE
(ASSEMBLED BY OTHERS)

2" SDR11 X 2" MALE NPT

TO MAIN

TO PUMP

VALVE CURB STOP WITH FEMALE PIPE THREADS
AND VALVE POSITION STOPS (OPEN/CLOSED)
WITH INTEGRAL CHECK VALVE
MATERIAL: STAINLESS STEEL

COMPRESSION ADAPTER
FITTING
MATERIAL: POLYPROPYLENE
(ASSEMBLED BY OTHERS)

2" SDR 11
POLYETHYLENE PIPE
(SUPPLIED BY OTHERS)

NOTES:

1. SS CURB STOP/CHECK VALVE AND FITTINGS ARE PROVIDED SEPARATELY, TO BE ASSEMBLED BY OTHERS
2. TO ASSEMBLE, APPLY A DOUBLE LAYER OF TEFLON TAPE, AND A LAYER OF PIPE DOPE (SUPPLIED BY OTHERS) TO THE THREADS ON THE PLASTIC FITTINGS AND INSTALL PER THE MANUFACTURER'S INSTRUCTIONS
*FOR SS FITTING INTO SS THREAD, USE EITHER PIPE DOPE OR TEFLON TAPE, NOT BOTH
3. ASSEMBLY IS TO BE PRESSURE TESTED (BY OTHERS)
4. ASSEMBLY IS TO BE USED WITH SDR11 HDPE PIPE
5. TO ORDER SS LATERAL KIT, USE PART NUMBER NC0517G01
6. CURB BOX IS TO BE ORDERED SEPARATELY, SEE ABOVE

KIT PARTS ARE NOT ASSEMBLED

SGS	NS	07/22/19	-	3/16
DR BY	CHK'D	DATE	ISSUE	SCALE



STAINLESS STEEL LATERAL KIT
2" VALVE, 2" SDR 11, 2" TANK NPT

NA0330P07

**STAINLESS STEEL
LATERAL KIT
2" VALVE
2" SDR 11 HDPE PIPE
1-1/2" TANK NPT**

LID ASSEMBLY WITH PENTAGON HEAD PLUG
MATERIAL: CAST IRON

EXTENSION TYPE CURB BOX WITH ARCH PATTERN BASE
MATERIAL: ABS

AVAILABLE LENGTHS.....	18-30"	PART NUMBER
	30-42"	PB0930G07
	36-54"	PB0930G08
	42-66"	PB0930G09
	48-78"	PB0930G10
	60-102"	PB0930G11
		PB0930G12

ORDERED SEPARATELY USING PART NUMBER FROM ABOVE

LARGE CURB BOX

2" SDR 11
HDPE PIPE
(BY OTHERS)

COMPRESSION ADAPTER FITTING
MATERIAL: POLYPROPYLENE
(ASSEMBLED BY OTHERS)

COMPRESSION ADAPTER FITTING
MATERIAL: POLYPROPYLENE
(ASSEMBLED BY OTHERS)

2" SDR11 X 1-1/2" MALE NPT

TO MAIN

TO PUMP

VALVE CURB STOP WITH FEMALE PIPE THREADS
AND VALVE POSITION STOPS (OPEN/CLOSED)
WITH INTEGRAL CHECK VALVE
MATERIAL: STAINLESS STEEL

COMPRESSION ADAPTER
FITTING
MATERIAL: POLYPROPYLENE
(ASSEMBLED BY OTHERS)

2" SDR 11
POLYETHYLENE PIPE
(SUPPLIED BY OTHERS)

NOTES:

1. SS CURB STOP/CHECK VALVE AND FITTINGS ARE PROVIDED SEPARATELY, TO BE ASSEMBLED BY OTHERS
2. TO ASSEMBLE, APPLY A DOUBLE LAYER OF TEFLON TAPE, AND A LAYER OF PIPE DOPE (SUPPLIED BY OTHERS) TO THE THREADS ON THE PLASTIC FITTINGS AND INSTALL PER THE MANUFACTURER'S INSTRUCTIONS
*FOR SS FITTING INTO SS THREAD, USE EITHER PIPE DOPE OR TEFLON TAPE, NOT BOTH
3. ASSEMBLY IS TO BE PRESSURE TESTED (BY OTHERS)
4. ASSEMBLY IS TO BE USED WITH SDR11 HDPE PIPE
5. TO ORDER SS LATERAL KIT, USE PART NUMBER NC0517G02
6. CURB BOX IS TO BE ORDERED SEPARATELY, SEE ABOVE

KIT PARTS ARE NOT ASSEMBLED

SGS	NS	07/22/19	-	3/16
DR BY	CHK'D	DATE	ISSUE	SCALE



STAINLESS STEEL LATERAL KIT
2" VALVE, 2" SDR 11, 1-1/2" TANK NPT

NA0330P08

**STAINLESS STEEL
LATERAL KIT
2" VALVE
1-1/2" SDR 11 HDPE PIPE
1-1/2" TANK NPT**

LID ASSEMBLY WITH PENTAGON HEAD PLUG
MATERIAL: CAST IRON

EXTENSION TYPE CURB BOX WITH ARCH PATTERN BASE
MATERIAL: ABS

AVAILABLE LENGTHS.....	18-30"	PART NUMBER
	30-42"	PB0930G07
	36-54"	PB0930G08
	42-66"	PB0930G09
	48-78"	PB0930G10
	60-102"	PB0930G11
		PB0930G12

ORDERED SEPARATELY USING PART NUMBER FROM ABOVE

LARGE CURB BOX

1-1/2" SDR 11
HDPE PIPE
(BY OTHERS)

COMPRESSION ADAPTER FITTING
MATERIAL: POLYPROPYLENE
(ASSEMBLED BY OTHERS)

COMPRESSION ADAPTER FITTING
MATERIAL: POLYPROPYLENE
(ASSEMBLED BY OTHERS)

1-1/2" SDR11 X 1-1/2" MALE NPT

TO MAIN

TO PUMP

VALVE CURB STOP WITH FEMALE PIPE THREADS
AND VALVE POSITION STOPS (OPEN/CLOSED)
WITH INTEGRAL CHECK VALVE
MATERIAL: STAINLESS STEEL

COMPRESSION ADAPTER
FITTING
MATERIAL: POLYPROPYLENE
(ASSEMBLED BY OTHERS)

1-1/2" SDR 11
POLYETHYLENE PIPE
(SUPPLIED BY OTHERS)

NOTES:

1. SS CURB STOP/CHECK VALVE AND FITTINGS ARE PROVIDED SEPARATELY, TO BE ASSEMBLED BY OTHERS
2. TO ASSEMBLE, APPLY A DOUBLE LAYER OF TEFLON TAPE, AND A LAYER OF PIPE DOPE (SUPPLIED BY OTHERS) TO THE THREADS ON THE PLASTIC FITTINGS AND INSTALL PER THE MANUFACTURER'S INSTRUCTIONS
*FOR SS FITTING INTO SS THREAD, USE EITHER PIPE DOPE OR TEFLON TAPE, NOT BOTH
3. ASSEMBLY IS TO BE PRESSURE TESTED (BY OTHERS)
4. ASSEMBLY IS TO BE USED WITH SDR11 HDPE PIPE
5. TO ORDER SS LATERAL KIT, USE PART NUMBER NC0517G03
6. CURB BOX IS TO BE ORDERED SEPARATELY, SEE ABOVE

KIT PARTS ARE NOT ASSEMBLED

SGS	NS	07/23/19	-	3/16
DR BY	CHK'D	DATE	ISSUE	SCALE



STAINLESS STEEL LATERAL KIT
2" VALVE, 1-1/2" SDR 11, 1-1/2" TANK NPT

NA0330P09

**STAINLESS STEEL
LATERAL KIT
2" VALVE
1-1/2" SDR 11 HDPE PIPE
1-1/4" TANK NPT**

LID ASSEMBLY WITH PENTAGON HEAD PLUG
MATERIAL: CAST IRON

EXTENSION TYPE CURB BOX WITH ARCH PATTERN BASE
MATERIAL: ABS

AVAILABLE LENGTHS.....	18-30"	PART NUMBER
	30-42"	PB0930G07
	36-54"	PB0930G08
	42-66"	PB0930G09
	48-78"	PB0930G10
	60-102"	PB0930G11
		PB0930G12

ORDERED SEPARATELY USING PART NUMBER FROM ABOVE

LARGE CURB BOX

1-1/2" SDR 11
HDPE PIPE
(BY OTHERS)

COMPRESSION ADAPTER FITTING
MATERIAL: POLYPROPYLENE
(ASSEMBLED BY OTHERS)

COMPRESSION ADAPTER FITTING
MATERIAL: POLYPROPYLENE
(ASSEMBLED BY OTHERS)

1-1/2" SDR11 X 1-1/4" MALE NPT

TO MAIN

TO PUMP

VALVE CURB STOP WITH FEMALE PIPE THREADS
AND VALVE POSITION STOPS (OPEN/CLOSED)
WITH INTEGRAL CHECK VALVE
MATERIAL: STAINLESS STEEL

COMPRESSION ADAPTER
FITTING
MATERIAL: POLYPROPYLENE
(ASSEMBLED BY OTHERS)

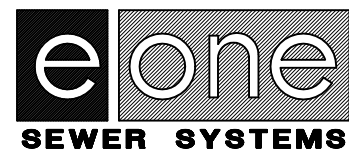
1-1/2" SDR 11
POLYETHYLENE PIPE
(SUPPLIED BY OTHERS)

NOTES:

1. SS CURB STOP/CHECK VALVE AND FITTINGS ARE PROVIDED SEPARATELY, TO BE ASSEMBLED BY OTHERS
2. TO ASSEMBLE, APPLY A DOUBLE LAYER OF TEFLON TAPE, AND A LAYER OF PIPE DOPE (SUPPLIED BY OTHERS) TO THE THREADS ON THE PLASTIC FITTINGS AND INSTALL PER THE MANUFACTURER'S INSTRUCTIONS
*FOR SS FITTING INTO SS THREAD, USE EITHER PIPE DOPE OR TEFLON TAPE, NOT BOTH
3. ASSEMBLY IS TO BE PRESSURE TESTED (BY OTHERS)
4. ASSEMBLY IS TO BE USED WITH SDR11 HDPE PIPE
5. TO ORDER SS LATERAL KIT, USE PART NUMBER NC0517G04
6. CURB BOX IS TO BE ORDERED SEPARATELY, SEE ABOVE

KIT PARTS ARE NOT ASSEMBLED

SGS	NS	07/23/19	-	3/16
DR BY	CHK'D	DATE	ISSUE	SCALE



STAINLESS STEEL LATERAL KIT
2" VALVE, 1-1/2" SDR 11, 1-1/4" TANK NPT

NA0330P10