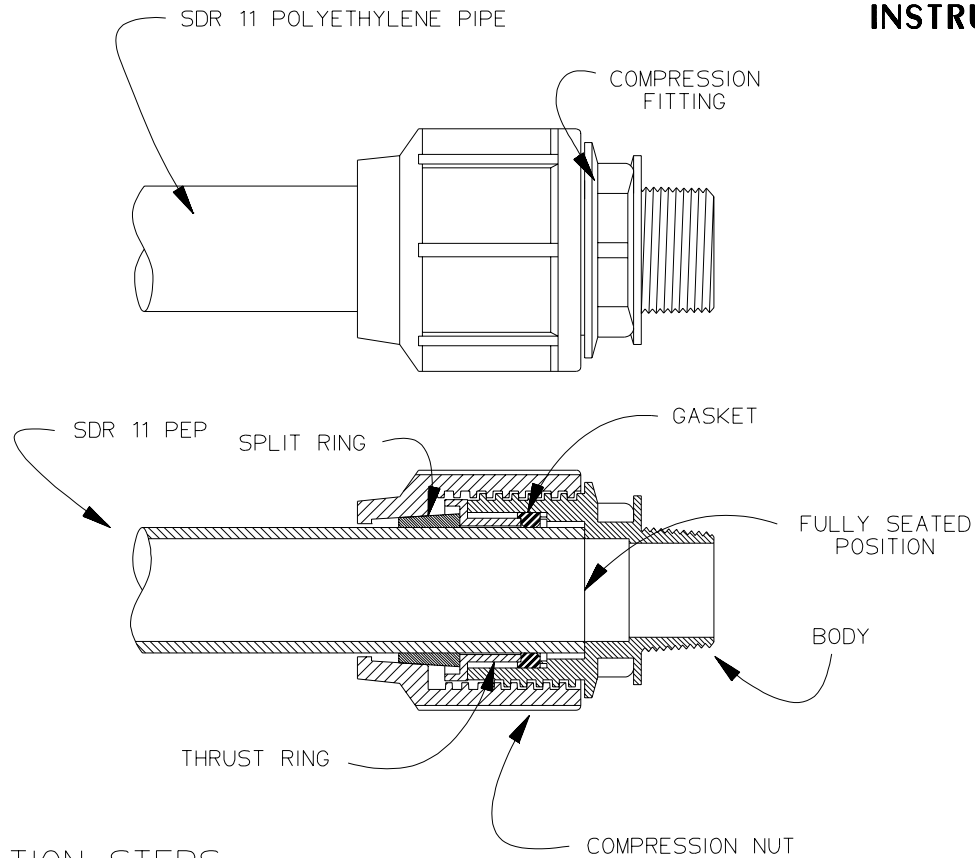


COMPRESSION FITTING INSTRUCTIONS



INSTALLATION STEPS

- 1- CUT PIPE SQUARE.
- 2- MAKE SURE PIPE IS ROUND, NOT FLATTENED.
CLEAN OFF ANY DIRT SO THAT THE SURFACE IS SMOOTH.
- 3- INSERT PIPE THROUGH COMPRESSION NUT. POSITION SPLIT RING ON THE END OF PIPE WITH THE TAPERED END TOWARD THE COMPRESSION NUT.
- 4- SLIDE COMPRESSION NUT OVER SPLIT RING AND ALIGN IT WITH THE THREADS ON THE BODY.
- 5- INSERT PIPE INTO THE BODY OF THE FITTING UNTIL FIRMLY SEATED.
- 6- TIGHTEN COMPRESSION NUT SECURELY TO THE FITTING BODY.

PRECAUTIONS

- 1- ALWAYS PRESSURE TEST FOR LEAKS PRIOR TO BACKFILLING.
- 2- FITTINGS CAN BE DAMAGED BY IMPROPER HANDLING. PROTECT THREADS. DO NOT DROP. BACKFILL AND COMPACT CAREFULLY PER ASTM D2321 SO THAT FITTINGS ARE NOT STRESSED BY THE WEIGHT OF THE EARTH.
- 3- PROTECT BALL VALVE ASSEMBLIES FROM FREEZING. ATTEMPTING TO FORCIBLY OPEN OR CLOSE A FROZEN VALVE WILL DESTROY THE VALVE.

APS	CAH	01/10/02	B	2/5
DR BY	CHK'D	DATE	ISSUE	SCALE



COMPRESSION FITTING
INSTRUCTIONS

PA1333P04