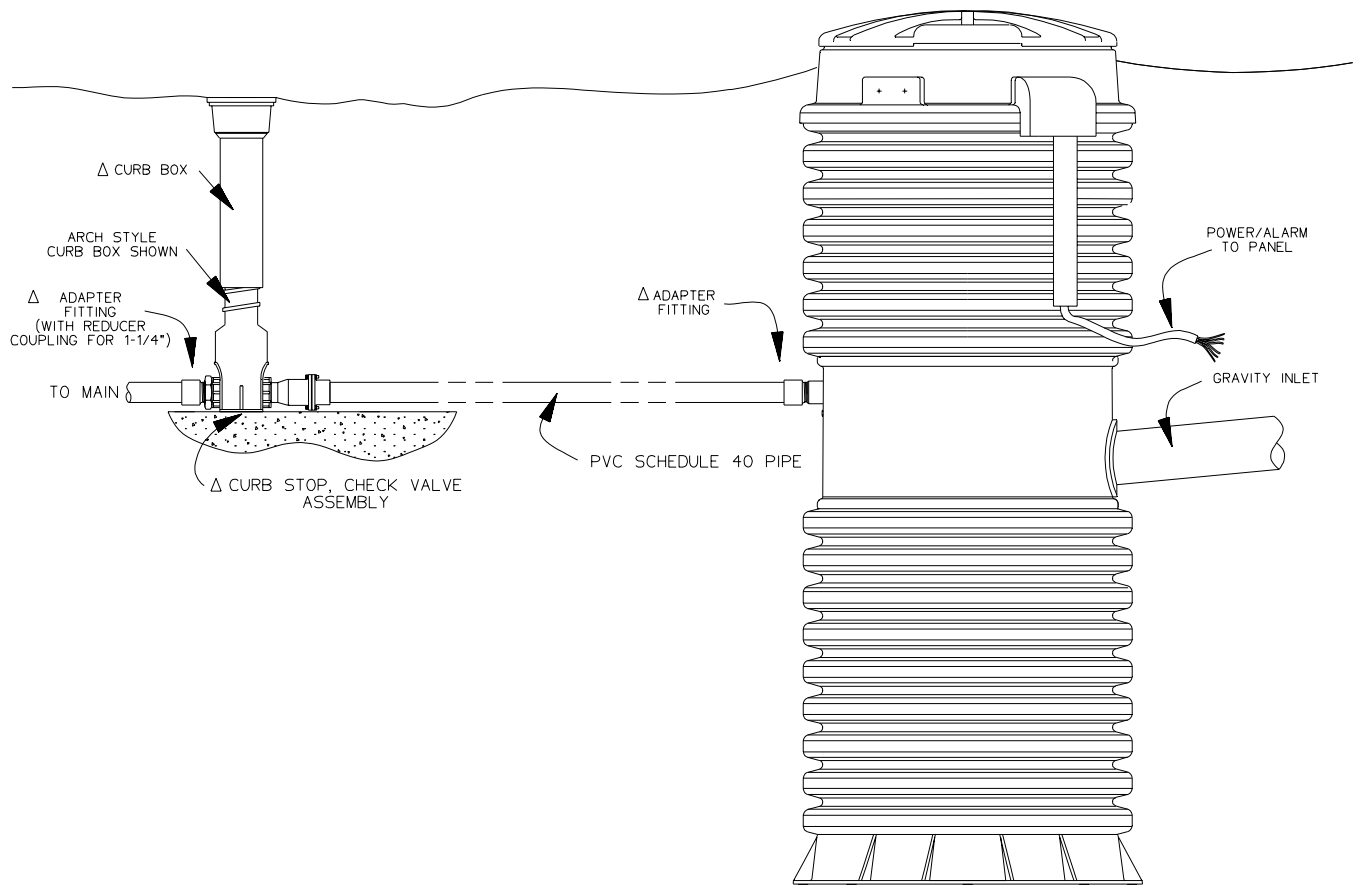


TYPICAL PVC SCHEDULE 40 LATERAL INSTALLATION

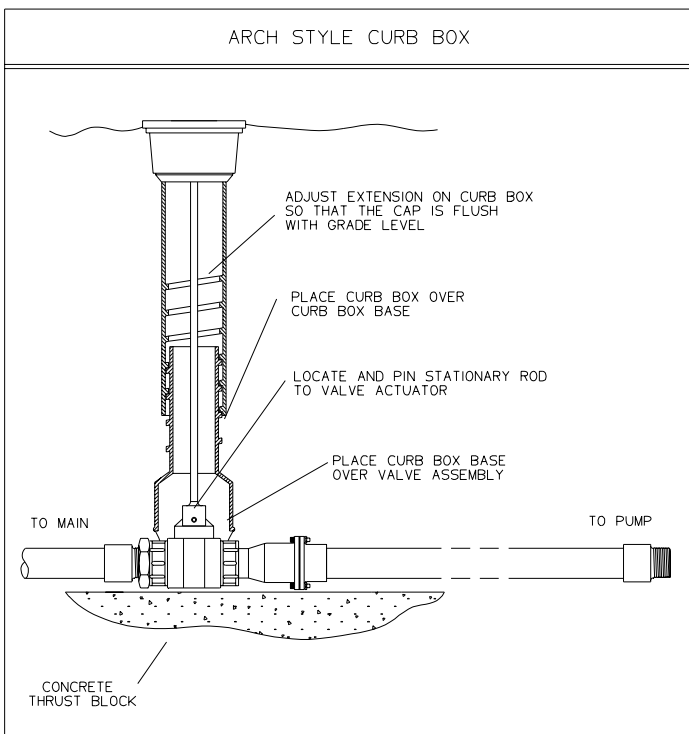


MODEL 2010
(NOTE: BALLAST NOT SHOWN)

INSTALL ALL UNDER GROUND PIPING PER
ASTM D 2321-89

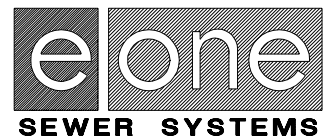
INSTALL GRINDER PUMP STATION PER
GRINDER PUMP INSTALLATION INSTRUCTIONS

Δ - INCLUDED IN LATERAL KIT



*FOR ORDERING INFORMATION SEE PA1372P01 LATERAL ORDER CODE

SGS	CAH	09/12/01	A	1/16
DR BY	CHK'D	DATE	ISSUE	SCALE



TYPICAL PVC LATERAL INSTALLATION
PVC SCHEDULE 40 PIPE, ARCH STYLE

PA1333P05