

# MOD 250

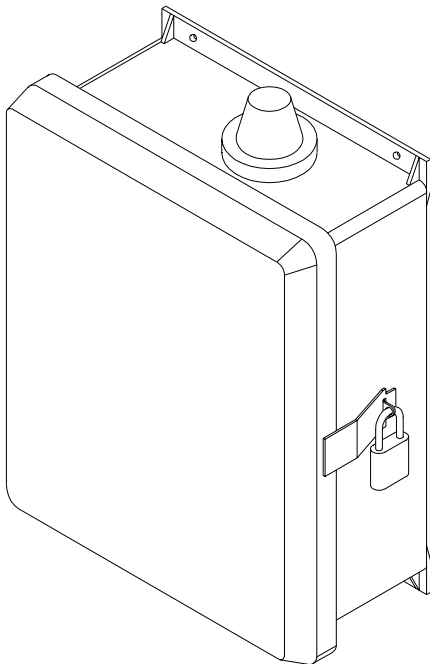
## *Simplex Alarm Panel*

### **Description**

The MOD 250 Electrical Panels are custom designed for use with Environment One Simplex Grinder Pumps. They are specified for installations that require an electrical disconnect separate from the residence distribution panel.

MOD Panels are supplied with audible and visual high water level alarms. They are easily installed in accordance with relevant national and local codes. Standard MOD Alarm Panels are listed by Underwriters Laboratories to ensure high quality and safety.

Please consult factory for special applications.



### **Standard Features**

Corrosion-proof fiberglass enclosure

NEMA 4X rated enclosure

Hinged access panel

Lockable latch with padlock

Circuit breakers

Terminal blocks and ground lugs

### **Optional Features**

No audible alarm

Dry contacts

Remote contacts

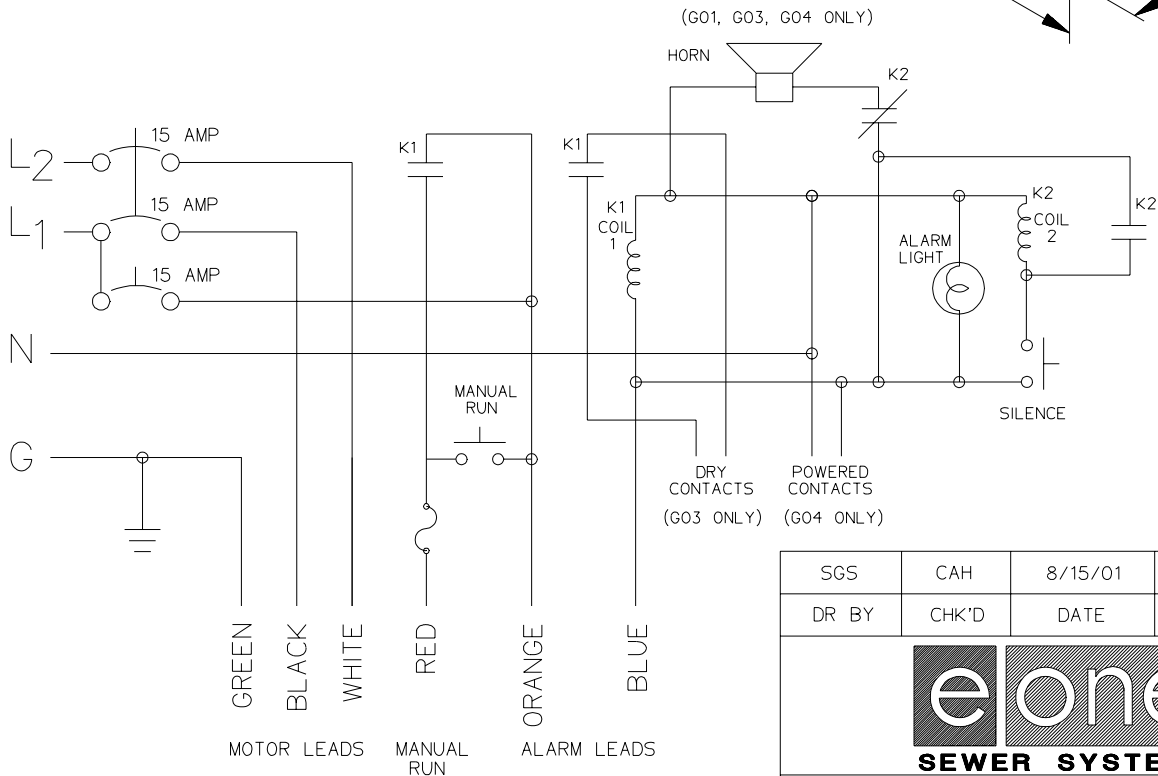
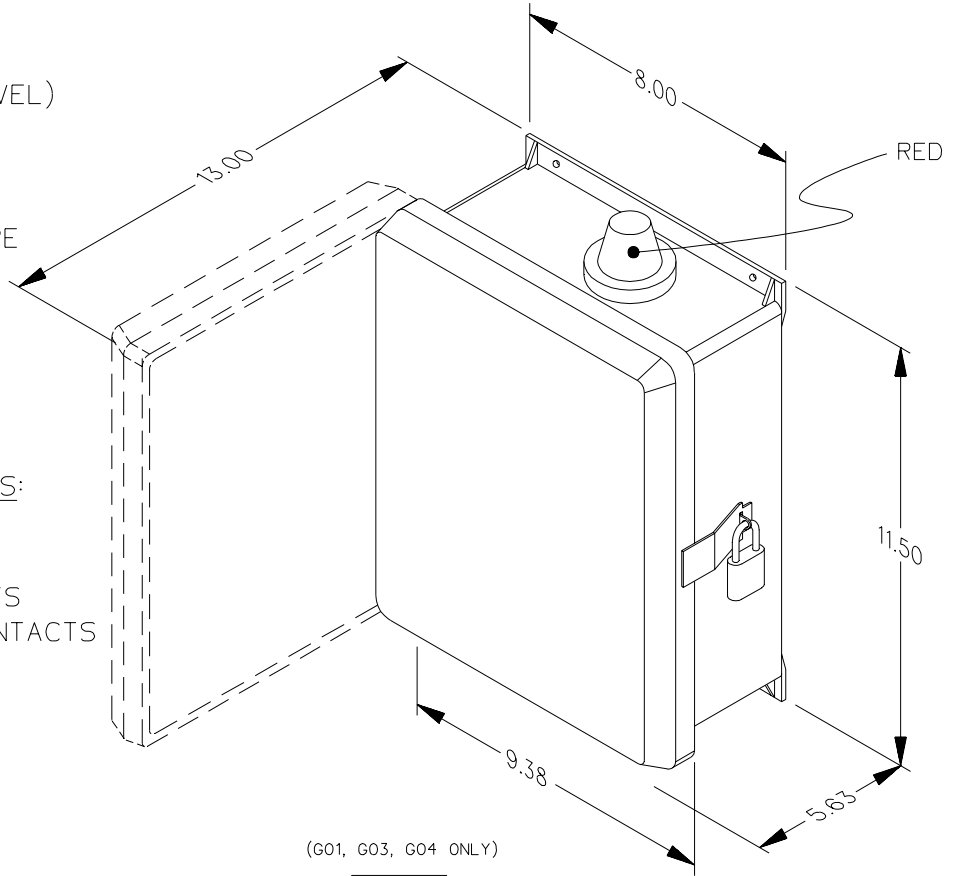
120 VAC or 240 VAC service

# SIMPLEX MOD 250

REDUNDANT RUN (HIGH LEVEL)  
VISUAL & AUDIBLE ALARM  
MANUAL SILENCE  
MANUAL RUN  
240VAC  
4X FIBERGLASS ENCLOSURE

AVAILABLE CONFIGURATIONS:

- G01 - STANDARD
- G02 - WITHOUT HORN
- G03 - WITH DRY CONTACTS
- G04 - WITH POWERED CONTACTS



CONTROL CABLE:

TYPE TC; DIRECT BURIAL, 12AWG,  
SIX CONDUCTOR.

SGS	CAH	8/15/01	B	5/32
DR BY	CHK'D	DATE	ISSUE	SCALE

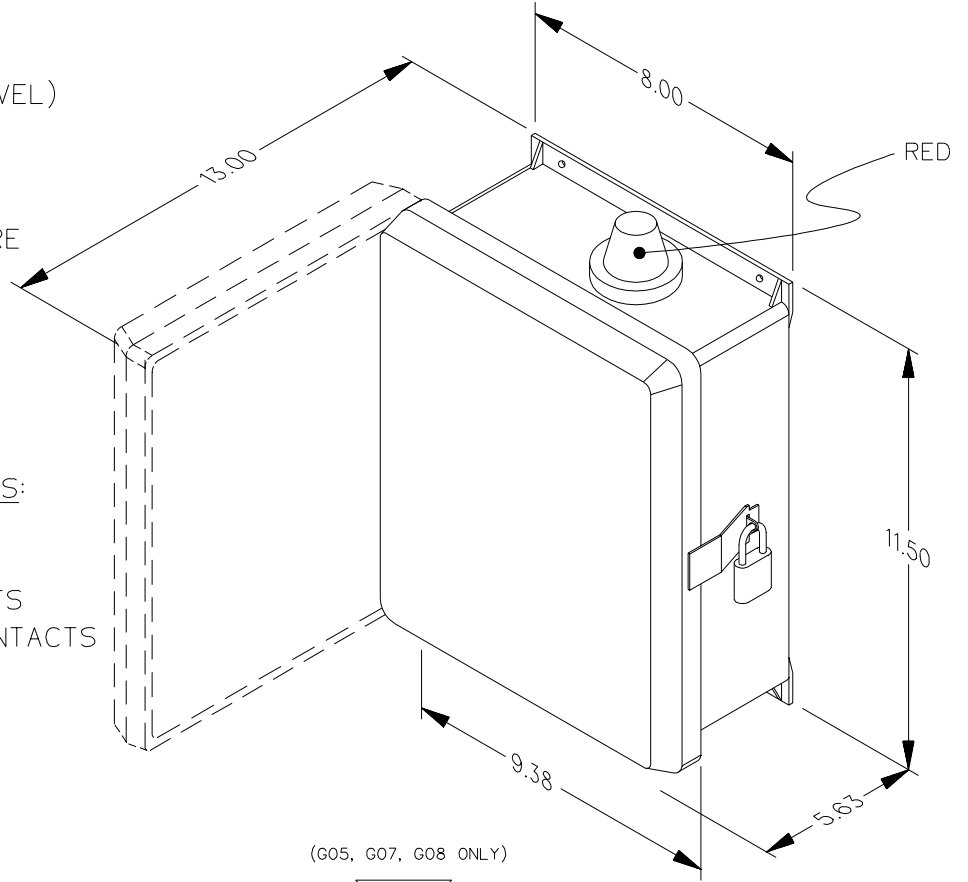


PANEL, 4X SIMPLEX, 240V

LM000152

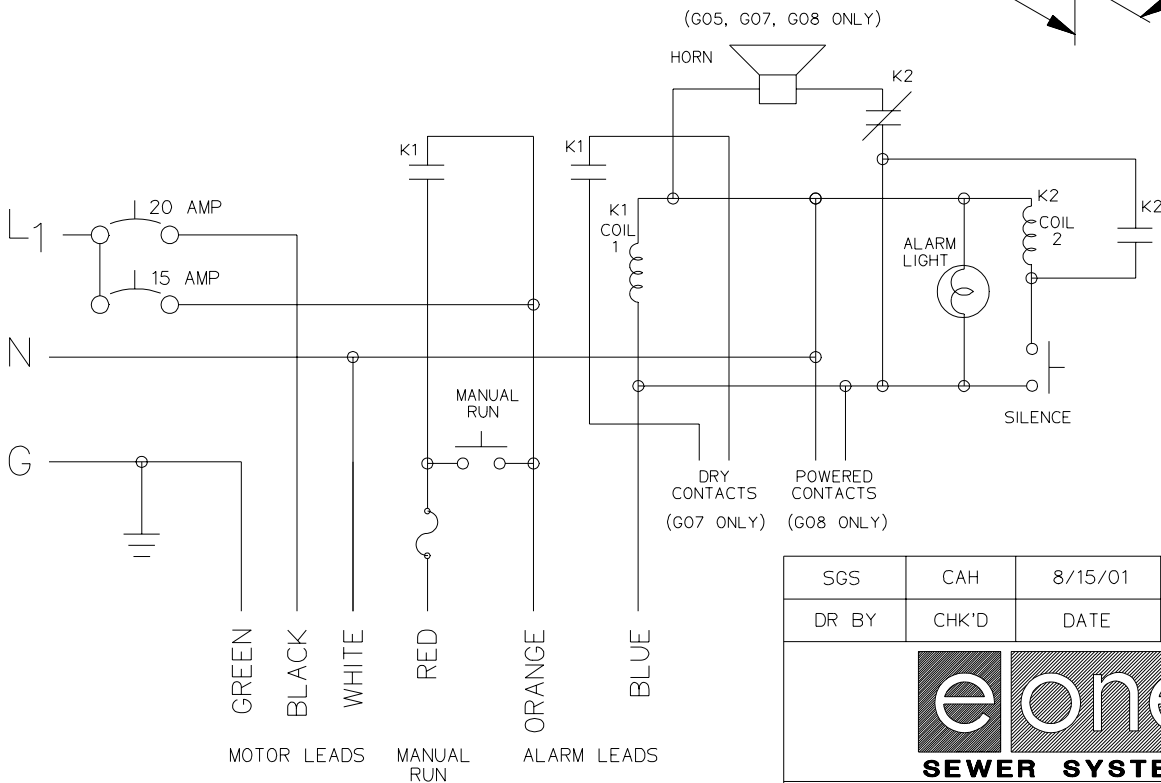
# SIMPLEX MOD 250

REDUNDANT RUN (HIGH LEVEL)  
VISUAL & AUDIBLE ALARM  
MANUAL SILENCE  
MANUAL RUN  
120VAC  
4X FIBERGLASS ENCLOSURE



AVAILABLE CONFIGURATIONS:

- G05 - STANDARD
- G06 - WITHOUT HORN
- G07 - WITH DRY CONTACTS
- G08 - WITH POWERED CONTACTS



SGS	CAH	8/15/01	B	5/32
DR BY	CHK'D	DATE	ISSUE	SCALE



PANEL, 4X SIMPLEX, 120V

LM000156

CONTROL CABLE:

TYPE TC; DIRECT BURIAL, 12AWG,  
SIX CONDUCTOR.