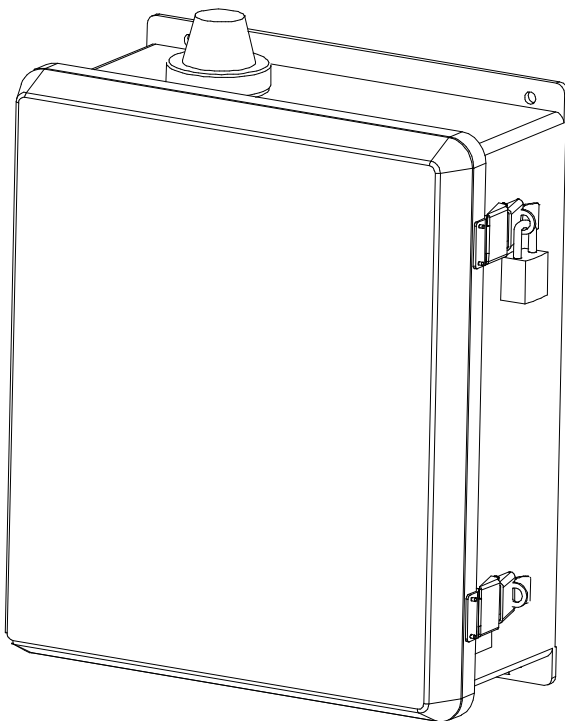


# MOD T260

## *Duplex Alternating Alarm Panel*



### **Description**

The MOD T260 Duplex Alternating Alarm panel is custom designed for use with Environment One Duplex Grinder Pumps.

Duplex Grinder Pump installations, a station with two grinder pumps, require that the pumping load is shared equally between the two pumps. Under normal conditions one pump removes the accumulated sewage from the grinder pump basin. After 24 hours, the MOD T260 Alternating Panel toggles the electrical supply power to the pump that was idle. If the sewage level reaches the alarm level, the two grinder pumps will operate simultaneously for 3-4 minutes. If after that time the sewage is not below the alarm level, the alarm circuit is engaged.

The MOD T260 Alternating Panel is supplied with audible & visual high water level alarms. The panel is easily installed in accordance with relevant national and local codes.

The MOD T260 Panel is listed by Underwriters Laboratories to ensure high quality and safety.

### **Standard Features**

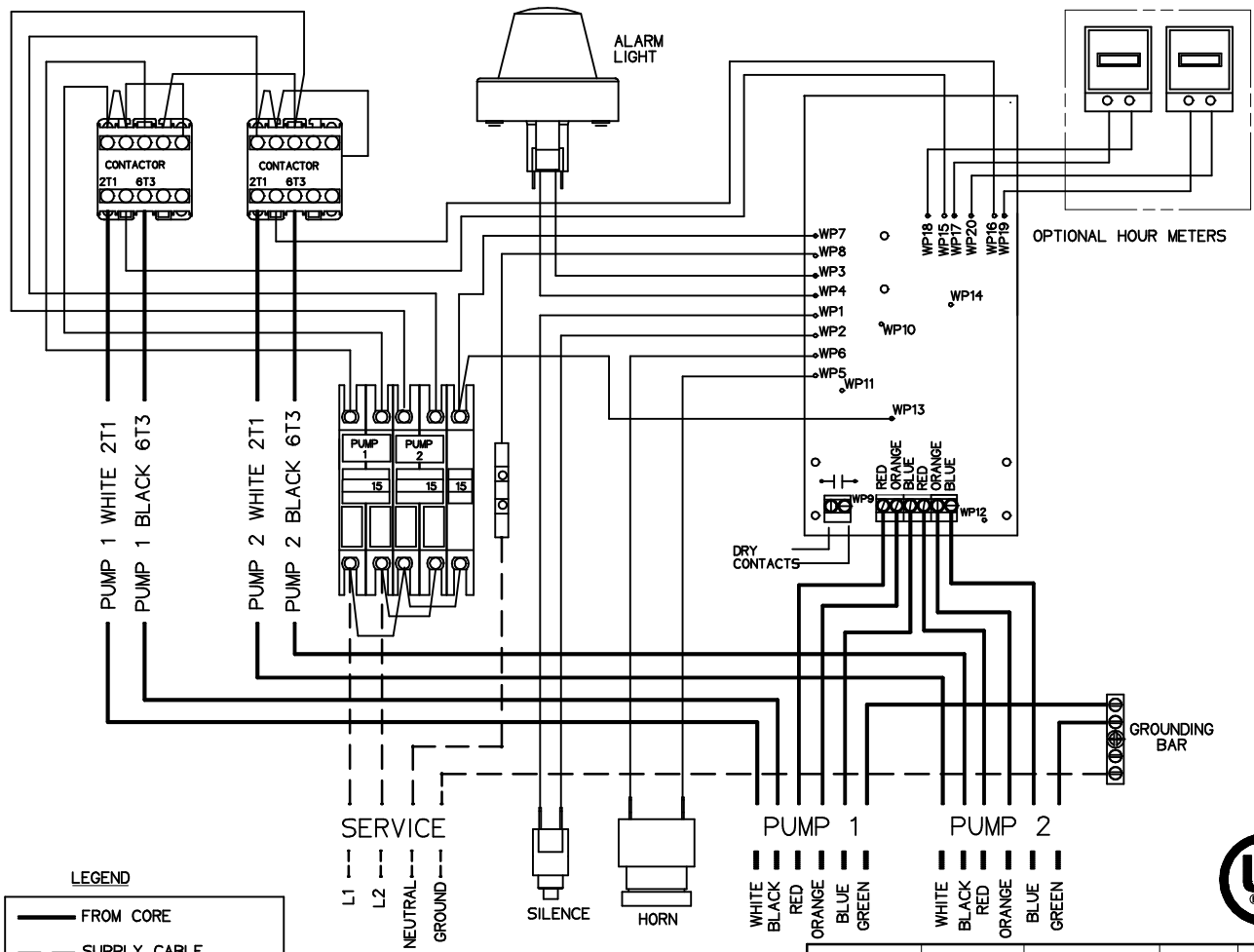
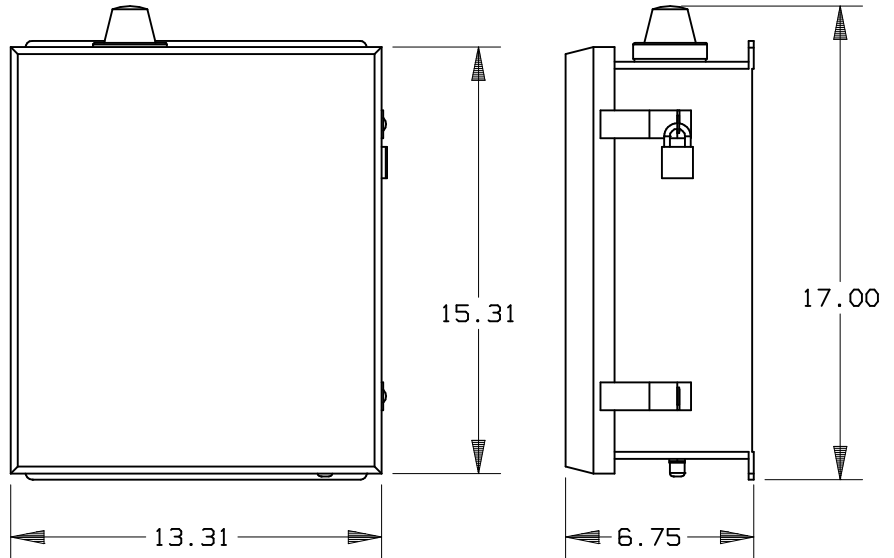
- Corrosion-proof fiberglass enclosure
- NEMA 4X rated enclosure
- Lockable latch with padlock
- Circuit breakers
- Terminal blocks & ground lugs
- Dry Contacts
- Lead/Lag indicator lights
- Alarm indicator lights
- Run indicator lights
- Manual Push-to-Run

### **Optional Features**

- Hour Meters (with larger enclosure)
- E/One Remote Sentry ready (with power loss capability)

# ALTERNATING PANEL

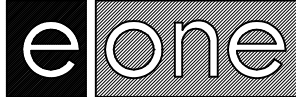
VISUAL & AUDIBLE ALARM  
 MANUAL SILENCE  
 MANUAL RUN  
 240VAC  
 REDUNDANT RUN  
 NEMA 4X



**LEGEND**

- FROM CORE
- SUPPLY CABLE
- FACTORY INSTALLED



SGS		02-07-03	A	.156
DR BY	CHK'D	DATE	ISSUE	SCALE
 <b>SEWER SYSTEMS</b>				
DUPLEX SPLIT TIME ALTERNATING PANEL				
LM000270				