

# AMGP

## **Installation Instructions**

### **for Flexible Hose & Horizontal Slideface**

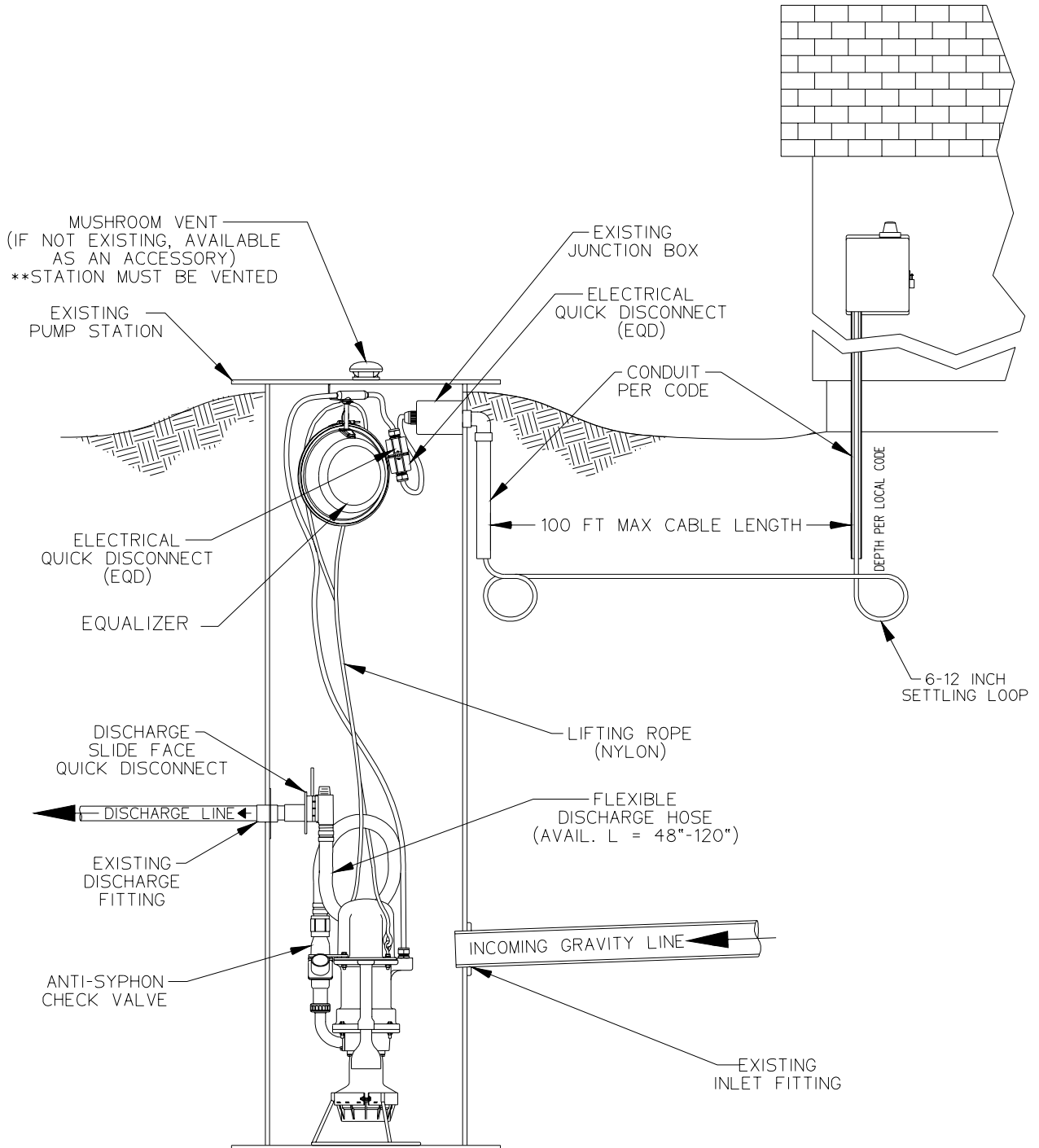


UPC (R)  
ASME A112.3.4

Read all instructions before  
proceeding with installation.



# AMGP INSTALLATION LAYOUT SHEET



# After Market Grinder Pump (AMGP) Installation Instructions

The Environment One AMGP is a well-engineered, reliable and proven product; proper installation will ensure years of trouble-free service. The AMGP is designed to replace a 2HP centrifugal grinder pump in a residential or light commercial sewage handling application.

The following instructions define recommended procedures for installing the AMGP.

**Read all instructions before starting unit replacement. If you have any questions, call your local distributor or Environment One**



**for assistance, (518) 346-6161.**

This is a sewage handling pump and must be vented in accordance with local plumbing codes. **This pump is not to be installed in locations classified as hazardous** in accordance with National Electric Code, ANSI/NFPA 70. All piping and electrical systems must be in compliance with applicable local and state codes.

Note: Occupational Safety and Health Standard (OSHA) mandates that anyone entering a confined space (such as sewage tank, manhole, septic tank, etc.) must follow the confined spaces rules and regulations. This can be found in Code of Federal Regulations Book 29, Section 1910.146, distributed by OSHA. This gives guidelines on how to safely enter tanks to make needed changes or repairs. **If possible, make all changes without entering the tank.**

Before starting unit replacement, unpack hardware to ensure all items needed to complete the installation are accounted for. Inspect station to see if additional items not supplied by Environment One will be needed to complete the job, such as plumbing hardware kit, replacement tank, special tools, electrical hardware, etc.

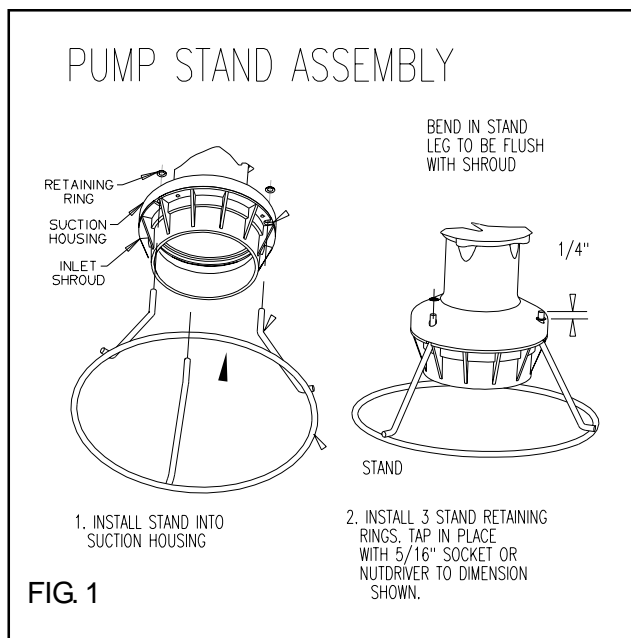
## Preparation of Tank

1. Instruct homeowner to cease water usage.
2. Remove tank lid.
3. Inspect lid integrity:
  - Clean all debris from lid
  - Inspect lid to ensure it is capable of supporting loads it may encounter (people, lawn tractor, trailer, etc.).
  - Inspect to ensure that lid can be sealed to prevent ground water infiltration. Note: If tank lid is deficient in any way, replace it.
4. Wash tank wall, rail assembly, pump and tank floor using a high-pressure water line.
5. Use existing grinder unit to pump down to "off" level. If manual-run is available, use it to pump tank down to lowest level possible.
6. Turn off all electrical power to old control panel at main house supply. Test with voltmeter, at panel, to ensure all power is off.
7. Close curb stop or discharge valve at street.
8. Disconnect and remove float assembly from tank.
9. Remove existing pump from tank.
10. Remove rail assembly and discharge assembly.
11. Remove all remaining brackets in tank that are not pertinent to tank structure. This can be accomplished by making an extension wrench out of a metal rod that is long enough to reach the bottom of the tank.
12. Pump out remaining sewage and debris from tank. Clean tank floor.
13. Seal all holes in tank interior left by the removal of hardware in the tank.

14. Inspect tank interior for structural integrity and leaktightness. **Failure to prevent all infiltration may cause premature pump failure and void warranty.**
15. Disconnect the power and remove the existing alarm/disconnect panel.
16. Grade around the tank to prevent ground water infiltration during heavy rain.

## Installing the AMGP

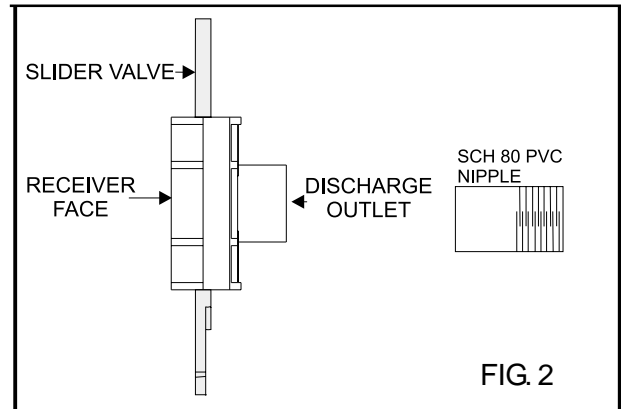
1. Unpack all materials. **Warranty registration and user instructions must be given to the owner.** Hardware packed with the unit will be used during installation.
2. Do not drop, roll or impact pump. Lift using the rope on the pump.
3. Attach pump stand. (Fig. 1)



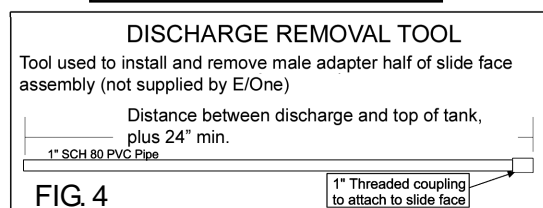
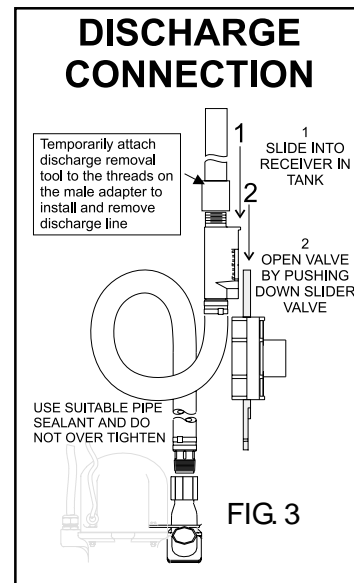
4. Install slide face discharge receiver to tank's discharge hub. The slide face has a 1 1/4-inch solvent weld socket. A 1 1/4-inch PVC nipple is supplied if a threaded connection is necessary. Glue nipple to slide face with Schedule 80 primer and glue. Take care not to get glue on slide face surfaces. (Fig. 2)

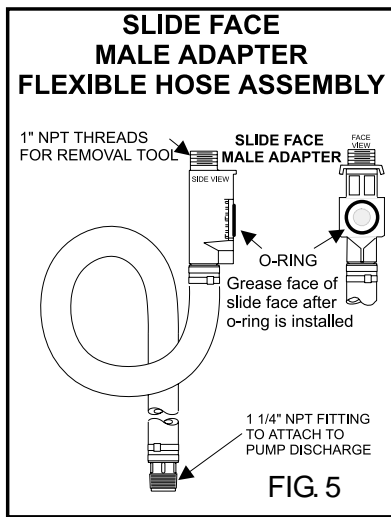
### Option A: Flexible Hose Discharge (Select either A or B)

Refer to any documentation that may have shipped with your discharge.



- 5a. Attach the discharge hose to the anti-siphon check valve. Use pipe sealer on threads to ensure leaktightness. (Fig. 3)
- 6a. Check the O-ring on the slideface adapter for adequate lubrication. (Fig. 5)
- 7a. Attach discharge installation tool on male adapter. (Fig. 3 and 4)
- 8a. Continue to Step 11 under "Complete Pump Installation."





### Option B: Rigid Pipe Discharge

(Select either A or B)

Refer to any documentation that may have shipped with your discharge.

5b. Check the parts you received. If your parts contain a pre-assembled rigid vertical piping assembly (1-1/4" Schedule 80 pipe is glued to both a threaded fitting and an elbow), you will not need to follow Step 6b.

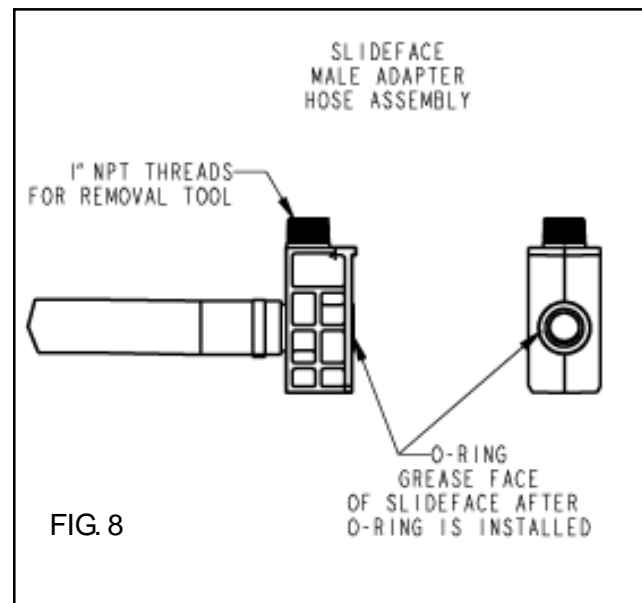
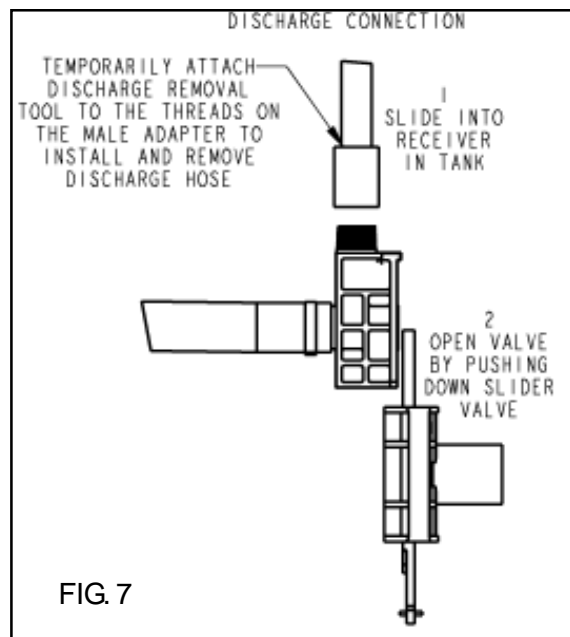
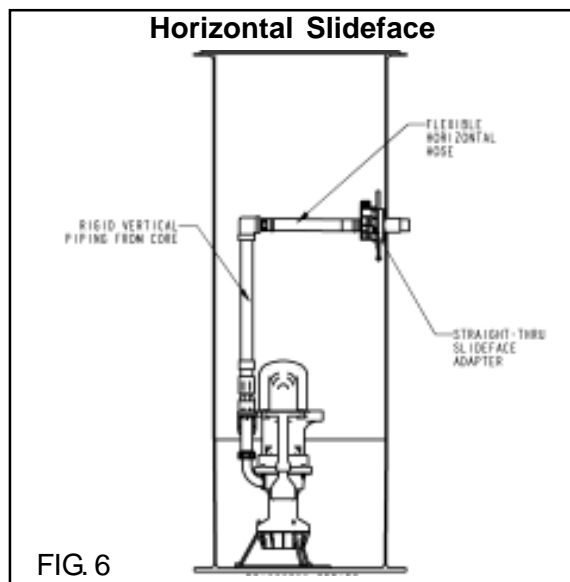
6b. To assemble your rigid vertical pipe:  
 a. Use only 1-1/4" Schedule 80 PVC pipe.

b. Your kit may include a sample piece of pipe if you ordered a "no pipe" option from the factory. This piece may be discarded.

c. Cut the pipe as follows: Carefully measure the height from the bottom of the tank to the discharge location and subtract 28.75". This is the pipe length required. For example, if your discharge height is 36",  $36" - 28.75" = 7.25"$ . Therefore, cut the pipe to 7 1/4 inches.

d. Use PVC primer and cement to glue the pipe to the threaded fitting and socket elbow. Be sure to fully seat the pipe into both fittings during assembly.

7b. Apply thread sealant to the threaded fitting on the rigid vertical piping assembly. Thread into the anti-siphon check valve on the grinder



pump. Tighten the assembly. The elbow at the top of the rigid assembly should be oriented as shown in the figure to allow the flexible assembly to cross over the top of the grinder pump. (Fig. 6)

8b. Apply thread sealant to the threads on the flexible hose end. Install the threaded hose adapter into the elbow on the top of the rigid discharge assembly and tighten. Orient the slideface adapter as shown with the threaded boss pointed upward. (Fig. 7)

9b. Check the O-ring on the slideface adapter for adequate lubrication. (Fig 8) Attach discharge installation tool on male adapter. (Fig. 4 and 5)

10b. Continue to Step 11 under "Complete Pump Installation."

### Complete Pump Installation

11. Carefully lower AMGP into tank. Place pump so anti-siphon check valve is on opposite side of discharge in tank. Refer to "Installation Layout Sheet" in the front of this manual. (See Fig. 6 for Option B discharge.)

12. Rotate discharge hose and male adapter to create a loop or coil. Slide male adapter into slide face receiver until it seats. Push down on slider valve assembly to open. (Fig. 9)

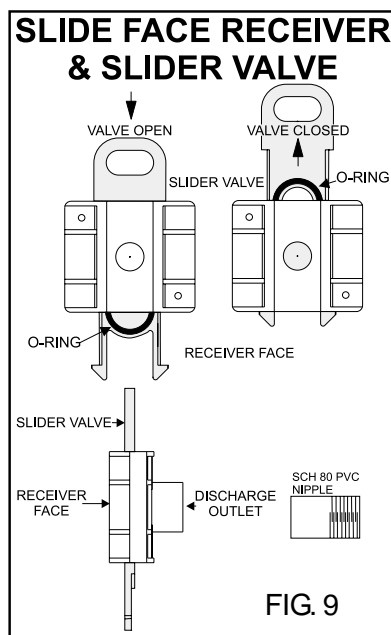


FIG. 9

13. **Hang power/ breather cable and lifting rope to prevent them from laying in sewage.** Keep between 18 inches and 24 inches of power supply cable in tank. Refer to "Installation Layout Sheet" in the front of this manual.

14. Remove the plug from the Equalizer tube installed in the breather port and insert barbed fitting on the Equalizer (Fig. 10). Taller tanks may require the attachment of Equalizer Extension Kit PA1819G01.

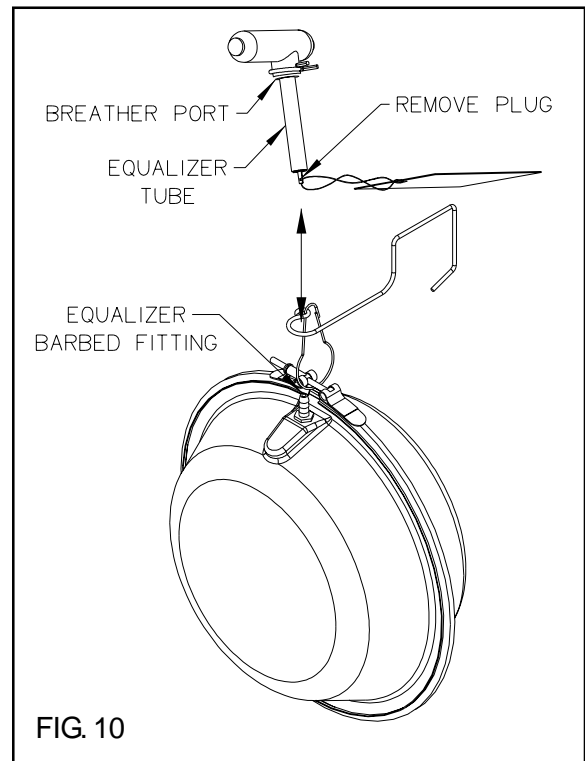


FIG. 10

15. Install vent assembly in cover assembly. Hole size for vent grommet is 3 inches. The vent must be installed per national and local codes to ensure proper operation. Failure to properly vent tank will result in faulty operation and will void warranty.

16. Connect AMGP to alarm panel. New cable should be installed between tank and electrical panel per National Electric Code and local codes. Maximum distance between pump and panel is 100 feet. Minimum burial depth without conduit is 24 inches. Note: Environment One cable should be used to ensure proper operation. When an underground splice is needed, use E/One-

approved splice kit, E/One part number PC0606G01. If existing cable is used, test for ground short (results from damaged cable underground). Replace if a short is found. Plug and seal all electrical components (junction box, conduit, etc.) inside tank and control panel to ensure a watertight connection. **Failure to seal all moisture may cause premature pump failure and void warranty.** Waterlogged junction boxes are one of the most common sources of grinder pump problems.

17. Power source to the panel must be 240 VAC (or 120 VAC for a 120V Model). A dedicated 30-amp breaker with ground and separate neutral is required.

## Test Procedure

1. Make certain that all discharge shutoff valves are fully open (curb stops, slider valve, etc.).
2. Turn off power at main power supply **and panel**. Use an ohmmeter set at the 2 meg scale. Check the continuity between the following leads from the AMGP (tests should be performed with the pump and alarm breakers inside the panel OFF):
  - Green to black
  - Green to white
  - Green to red
  - Red to orange

All these tests must read an open circuit. A short at any of these test points will cause premature pump failure if not corrected.

3. Turn on power at main power supply only.
4. Check voltage from the main power supply. The voltage must be 240 VAC (or 120 VAC for a 120V Model) within 10 percent. Note the voltage.
5. Turn on the alarm power circuit breaker. Leave pump breaker off.
6. Fill tank with water until alarm turns on. This will be about 30 inches from bottom of tank. Turn off water.

7. Turn on pump power circuit breaker. Pump should immediately turn on.
8. Take a current (amperage) reading off the white lead to the AMGP. The reading should be between 5 and 8 amps for 240 VAC service (10 to 16 amps for 120 VAC service). Higher amperage readings equal a higher discharge pressure. If the amperage is greater than 8 (16 for 120 VAC service) check the discharge line for a blockage. Note the amperage.
9. Within the first 1 to 3 minutes, the alarm will turn off. Within the following 1 to 2 minutes, the pump will turn off (in a 24-inch diameter tank).
10. Close and lock the alarm/disconnect panel.
11. Inspect the lid gasket and install new gasket material as required. Fasten lid to tank.

Call your local E/One distributor if you have any problems. Please have ready the unit serial number, voltage, amperage read during startup, type of application, and a description of the problem.





*A Precision Castparts Company*

---

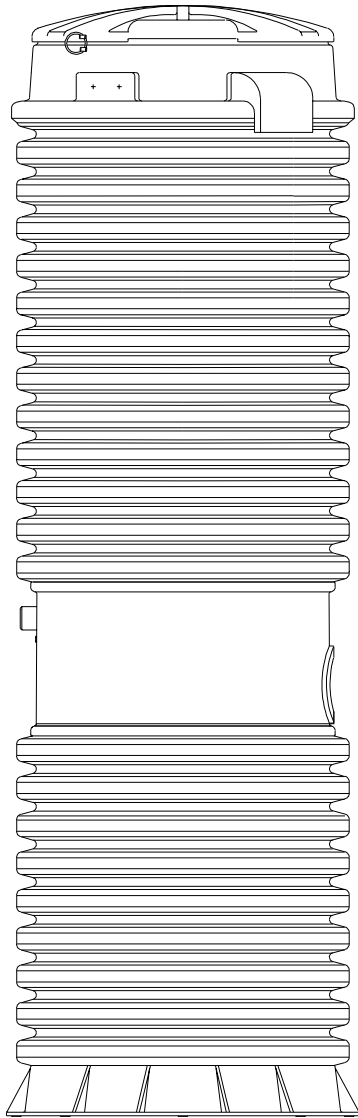
Environment One Corporation  
2773 Balltown Road  
Niskayuna, New York 12309-1090

Voice: (01) 518.346.6161  
Fax: 518.346.6188

[www.eone.com](http://www.eone.com)

PA1282P01 Rev. D

# User Instructions for the Environment One Grinder Pump



## General Information

In order to provide you with suitable wastewater disposal, your home is served by a low pressure sewer system. The key element in this system is an Environment One grinder pump. The tank collects all solid materials and effluent from the house. The solid materials are then ground to a small size suitable for pumping as a slurry with the effluent water. The grinder pump generates sufficient pressure to pump this slurry from your home to the wastewater treatment receiving line and/or disposal plant.

Congratulations on your Environment One grinder pump investment. With proper care and by following a few guidelines, your grinder pump will give you years of dependable service.

## Care and Use of your Grinder Pump

The Environment One grinder pump is capable of accepting and pumping a wide range of materials. Regulatory agencies advise that the following items should not be introduced into any sewer, either directly or through a kitchen waste disposal unit:

|                |  |
|----------------|--|
| Glass          | Diapers, socks, rags or cloth          |
| Metal          | Plastic objects (toys, utensils, etc.) |
| Seafood shells | Sanitary napkins or tampons            |
| Goldfish stone | Kitty litter                           |

In addition, you must **never** introduce into any sewer:

|                               |                  |
|-------------------------------|------------------|
| Explosives                    | Strong chemicals |
| Flammable material            | Gasoline         |
| Lubricating oil and/or grease |                  |

## Periods of Disuse

If your home or building is left unoccupied for longer than a couple of weeks, perform the following procedure:

**Purge the System.** Run clean water into the unit until the pump activates. Immediately turn off the water and allow the grinder pump to run until it shuts off automatically.

**Duplex Units.** Special attention must be taken to ensure that both pumps turn on when clean water is added to the tank.

**Caution: Do not disconnect power to the unit**

## Power Failure

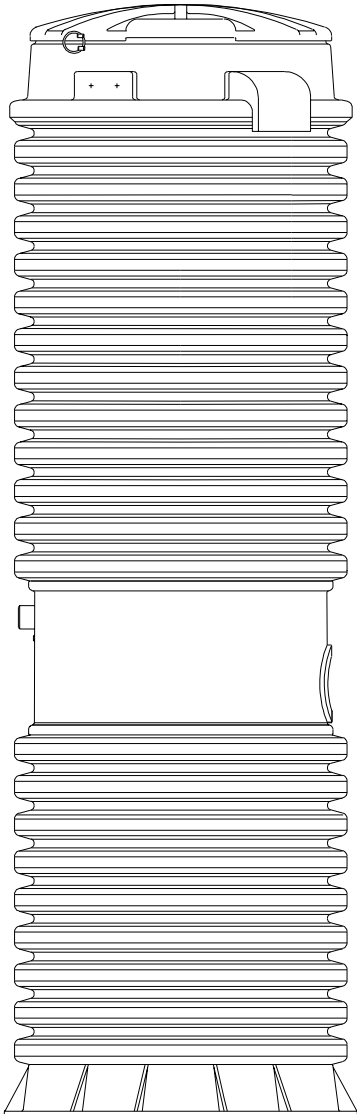
Your grinder pump cannot dispose of wastewater without electrical power. If electrical power service is interrupted, keep water usage to a minimum.

## Pump Failure Alarm

Your Environment One grinder pump has been manufactured to produce an alarm signal (120 volt) in the event of a high water level in the basin. The installer must see that the alarm signal provided is connected to an audible and/or visual alarm in such a manner as to provide adequate warning to the user that service is required. During the interim prior to the arrival of an authorized service technician, water usage must be limited to the reserve capacity of the tank.

**For service, please call your local distributor:**





## Limited Warranty

1000 Series, 2000 Series, AMGP

Environment One Corporation offers a limited warranty that guarantees its product to be free from defects in material and factory workmanship for a period of two years from the date of installation, or 27 months from the date of shipment, whichever occurs first, provided the product is properly installed, serviced and operated under normal conditions and according to manufacturer's instructions. Repair or parts replacement required as a result of such defect will be made free of charge during this period upon return of the defective parts or equipment to the manufacturer or its nearest authorized service center.

Model Number: \_\_\_\_\_

Serial Number: \_\_\_\_\_

Installation Date: \_\_\_\_\_



SEWER SYSTEMS

2773 Balltown Rd • Niskayuna NY USA 12309

(01) 518.346.6161 • [www.eone.com](http://www.eone.com)