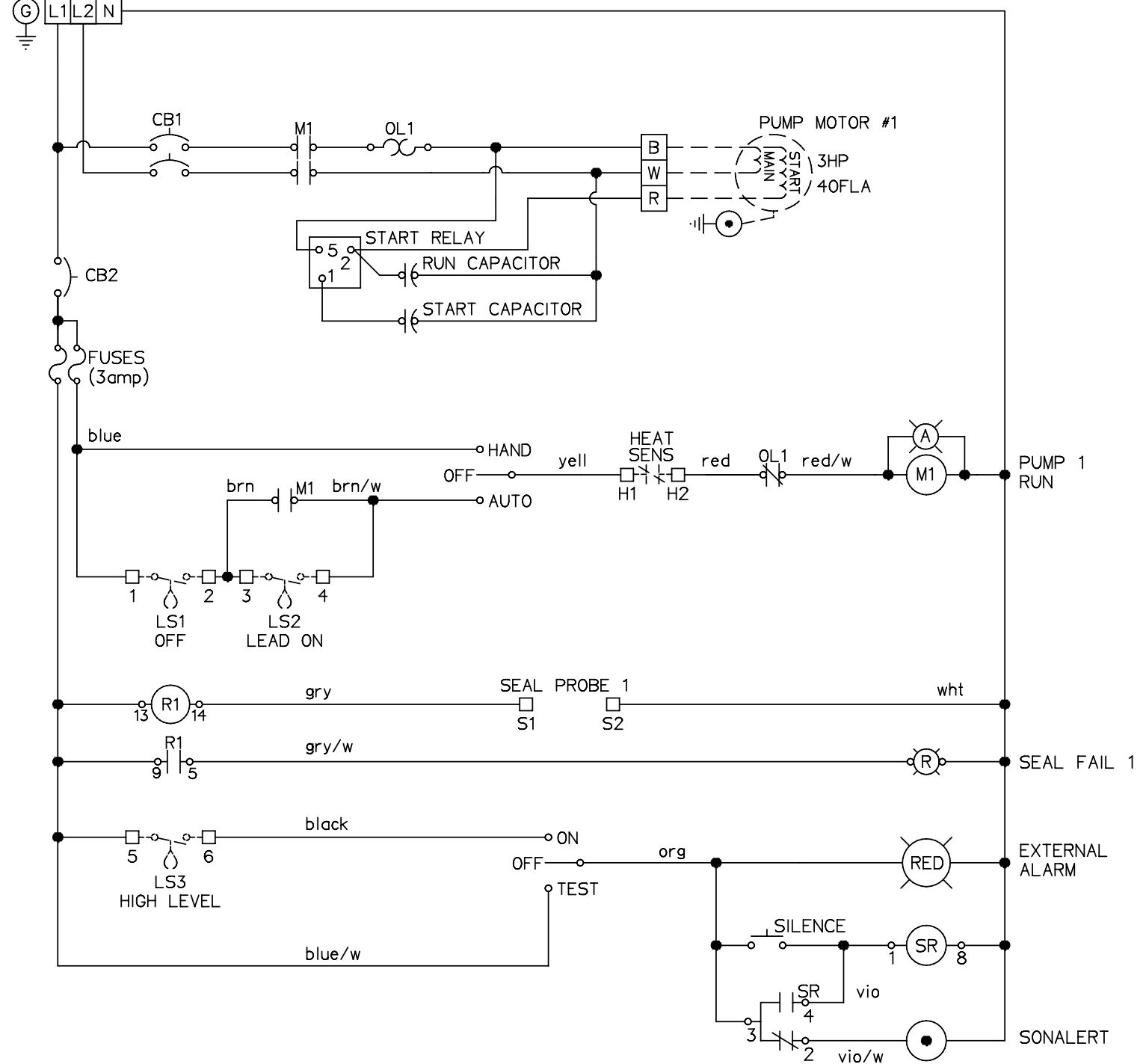


230V-1Ø-3 WIRE SERVICE



SGS		02/22/10	-	
DR BY	CHK'D	DATE	ISSUE	SCALE

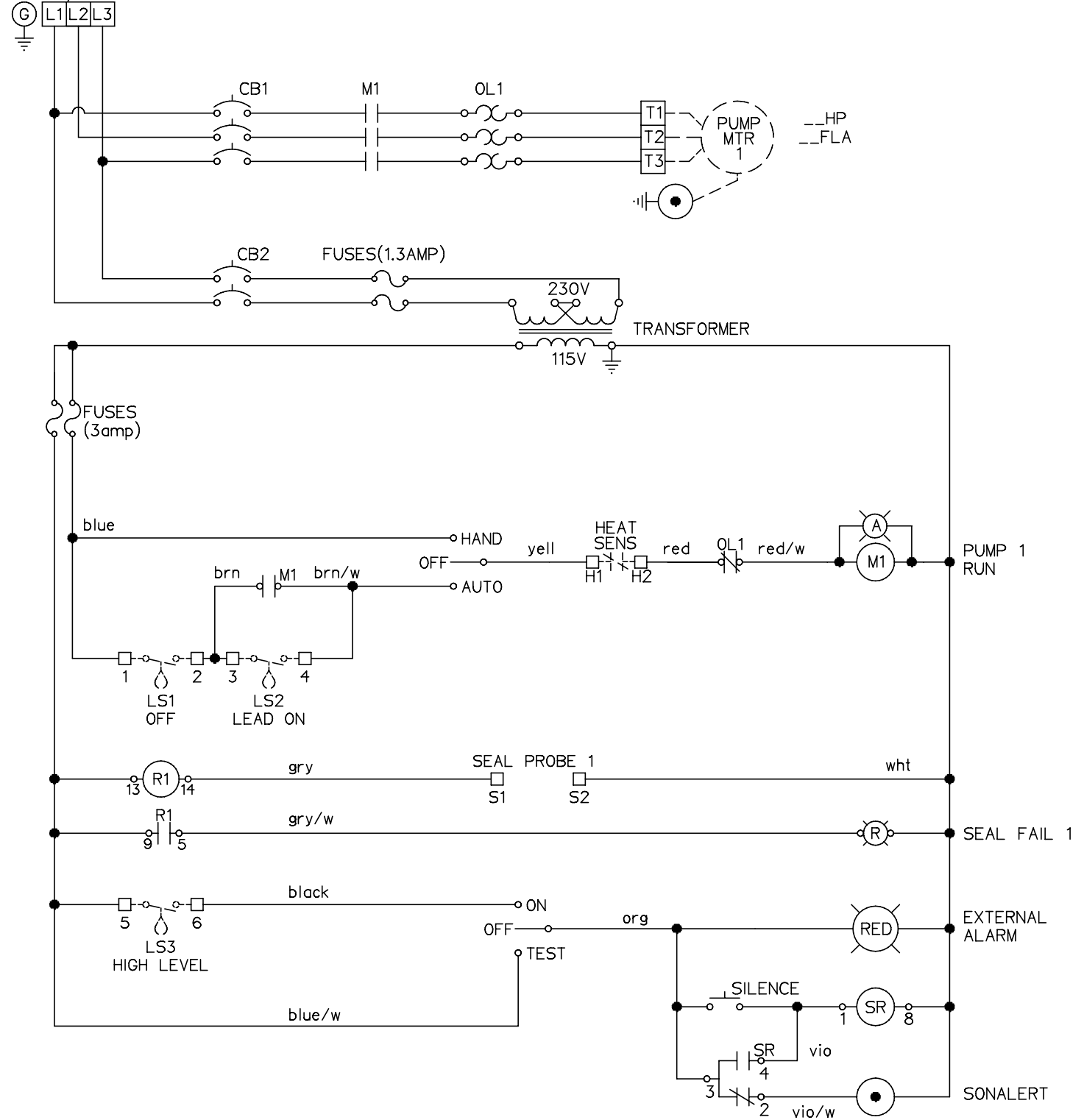


3000 SERIES CONTROL PANEL
SIMPLEX, 230V, 1 PH

NA0259P01

VOLTAGE: 230	PHASE: 1	HERTZ: 60	HP/FLA: 3/40
ENCLOSURE TYPE: 4X			
SHORT CIRCUIT CURRENT: 5KA			
RMS SYMMETRICAL, 240V MAXIMUM			

230V-3Ø-3 WIRE SERVICE



VOLTAGE: 230	PHASE: 3	HERTZ: 60	HP/FLA: __/__
ENCLOSURE TYPE: 4X			
SHORT CIRCUIT CURRENT: 5KA			
RMS SYMMETRICAL, 240V MAXIMUM			

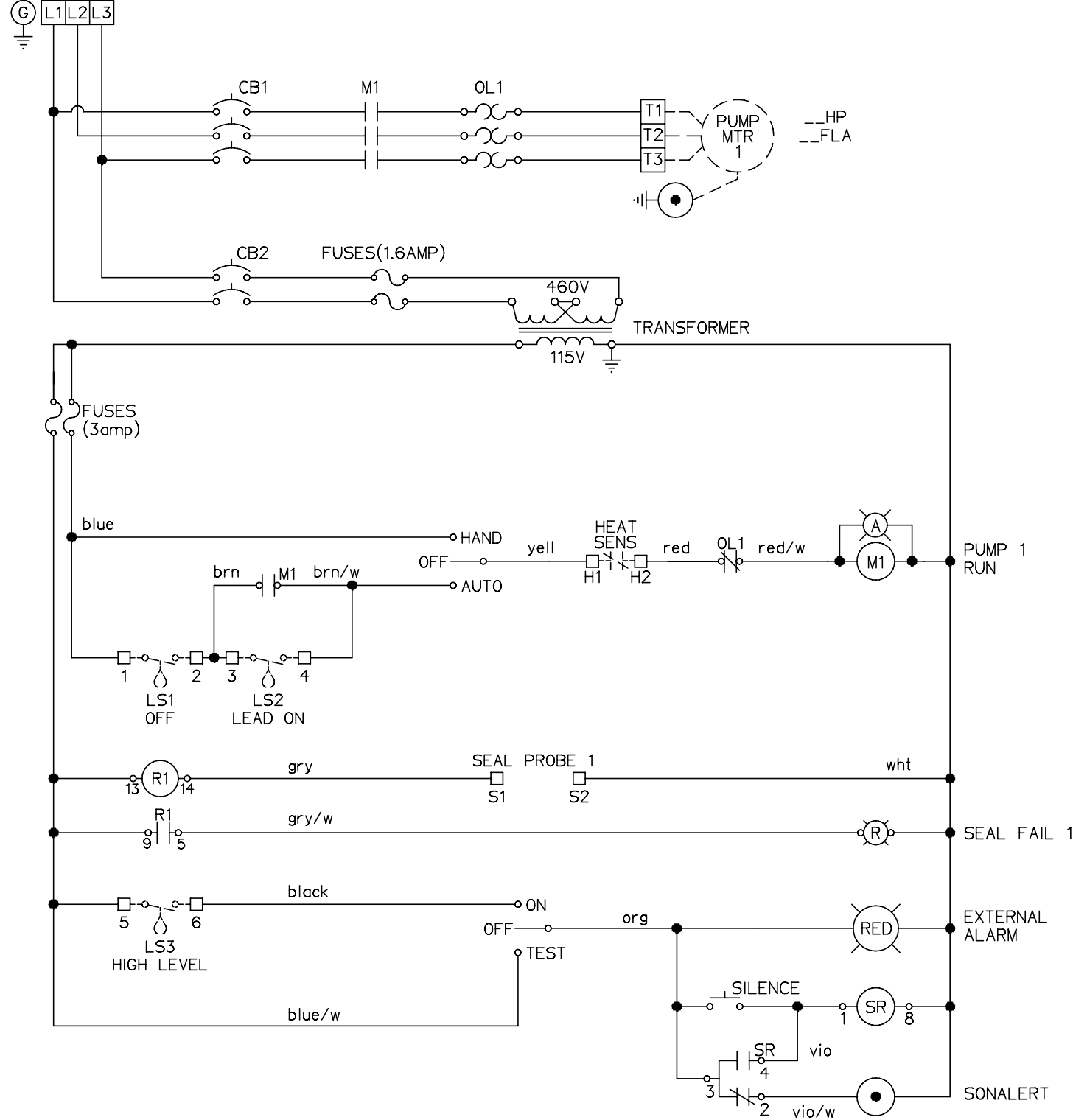
SGS		02/22/10	-	
DR BY	CHK'D	DATE	ISSUE	SCALE



3000 SERIES CONTROL PANEL
SIMPLEX, 230V, 3 PH

NA0259P02

460V-3Ø-3 WIRE SERVICE



VOLTAGE: 460	PHASE: 3	HERTZ: 60	HP/FLA: ___/___
ENCLOSURE TYPE: 4X			
SHORT CIRCUIT CURRENT: 5KA			
RMS SYMMETRICAL, 480V MAXIMUM			

SGS		02/22/10	-	
DR BY	CHK'D	DATE	ISSUE	SCALE

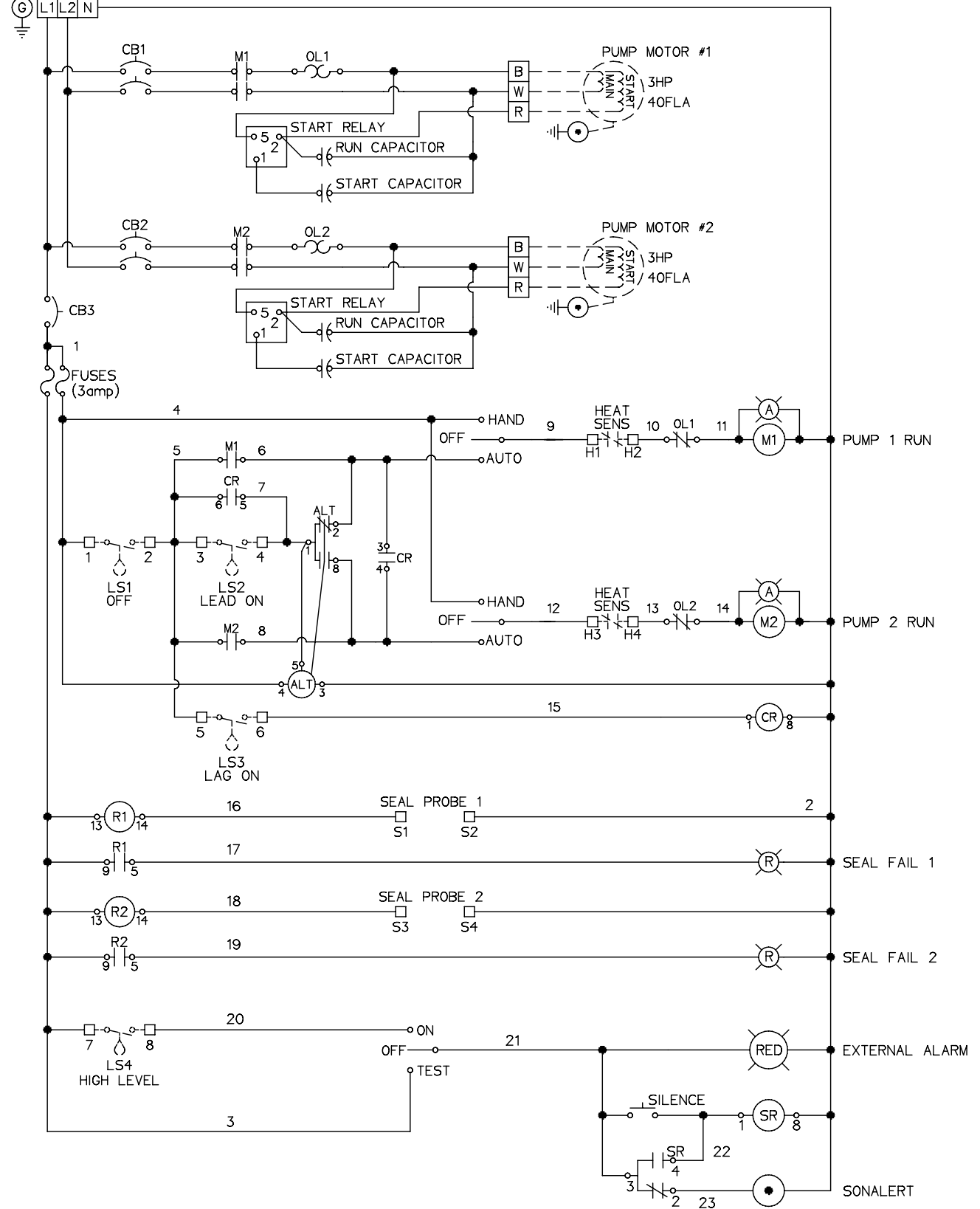


SEWER SYSTEMS


3000 SERIES CONTROL PANEL
SIMPLEX, 460V, 3 PH

NA0259P03

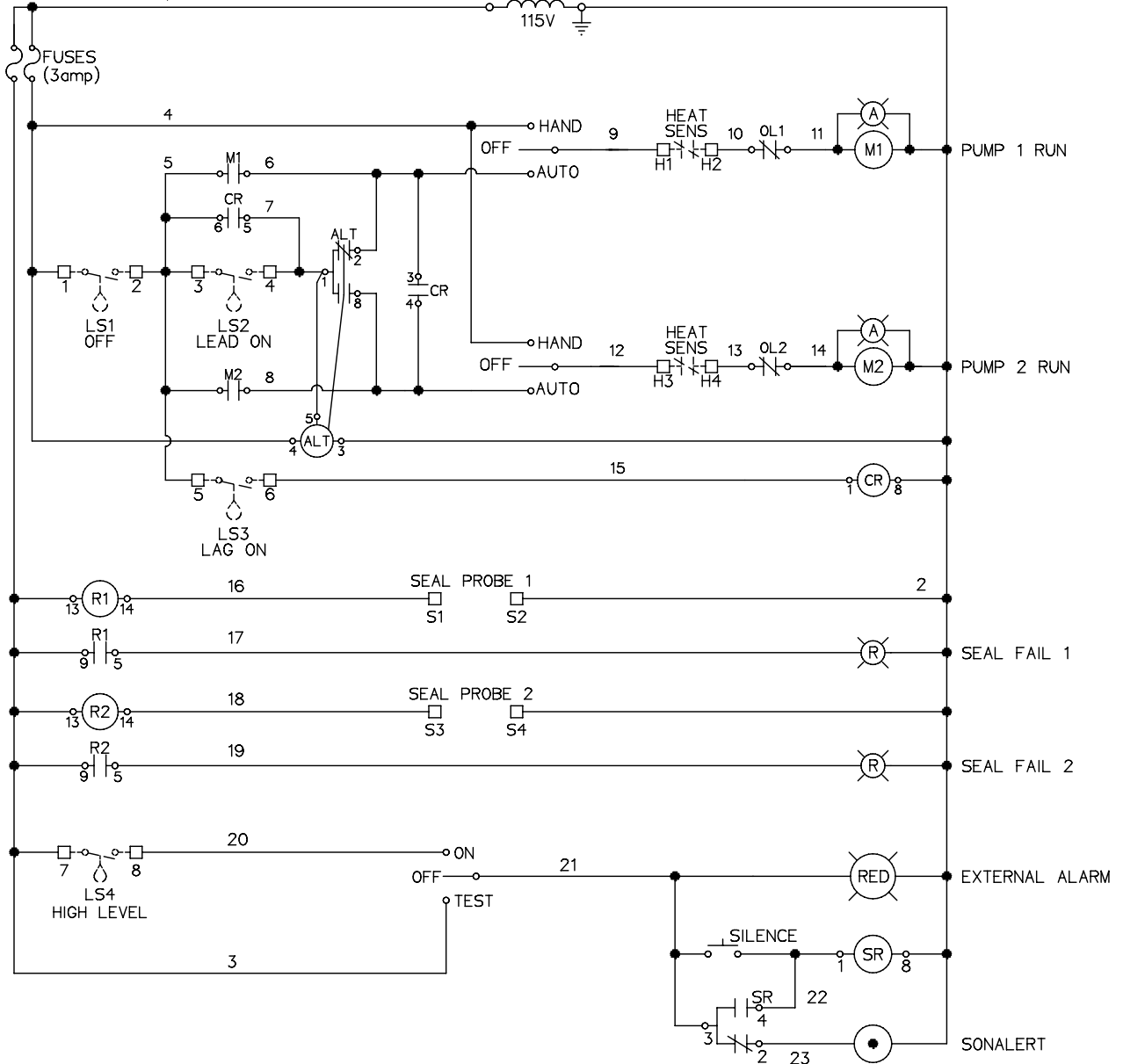
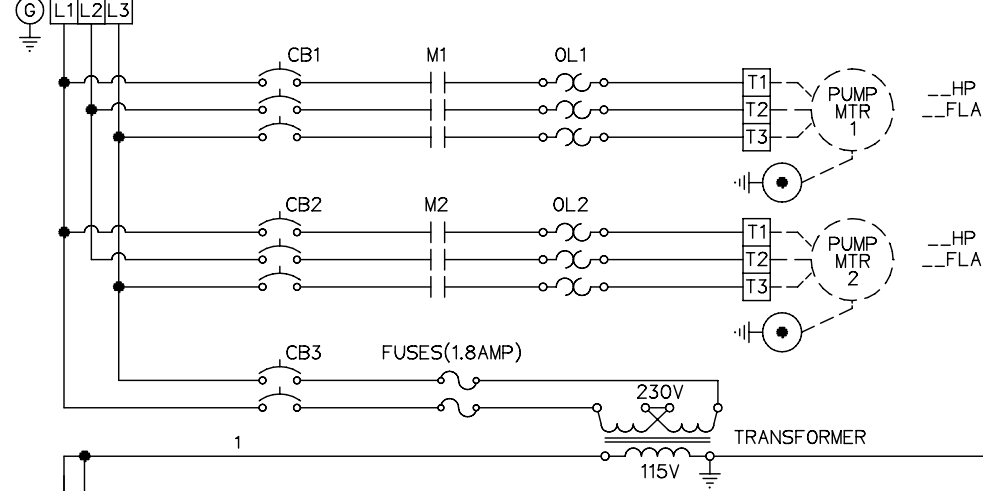
230V-1Ø-3 WIRE SERVICE



VOLTAGE:	PHASE:	HERTZ:	HP/FLA:
230	1	60	3/40
ENCLOSURE TYPE: 4X			
SHORT CIRCUIT CURRENT: 5KA			
RMS SYMMETRICAL, 240V MAXIMUM			

SGS	02/22/10	-		
DR BY	CHK'D	DATE	ISSUE	SCALE
 SEWER SYSTEMS				
3000 SERIES CONTROL PANEL DUPLEX, 230V, 1 PH				
NA0259P04				

230V-3Ø-3 WIRE SERVICE



VOLTAGE:	PHASE:	HERTZ:	HP/FLA:
230	3	60	--/--
ENCLOSURE TYPE: 4X			
SHORT CIRCUIT CURRENT: 5KA			
RMS SYMMETRICAL, 240V MAXIMUM			

SGS	02/22/10	-		
DR BY	CHK'D	DATE	ISSUE	SCALE

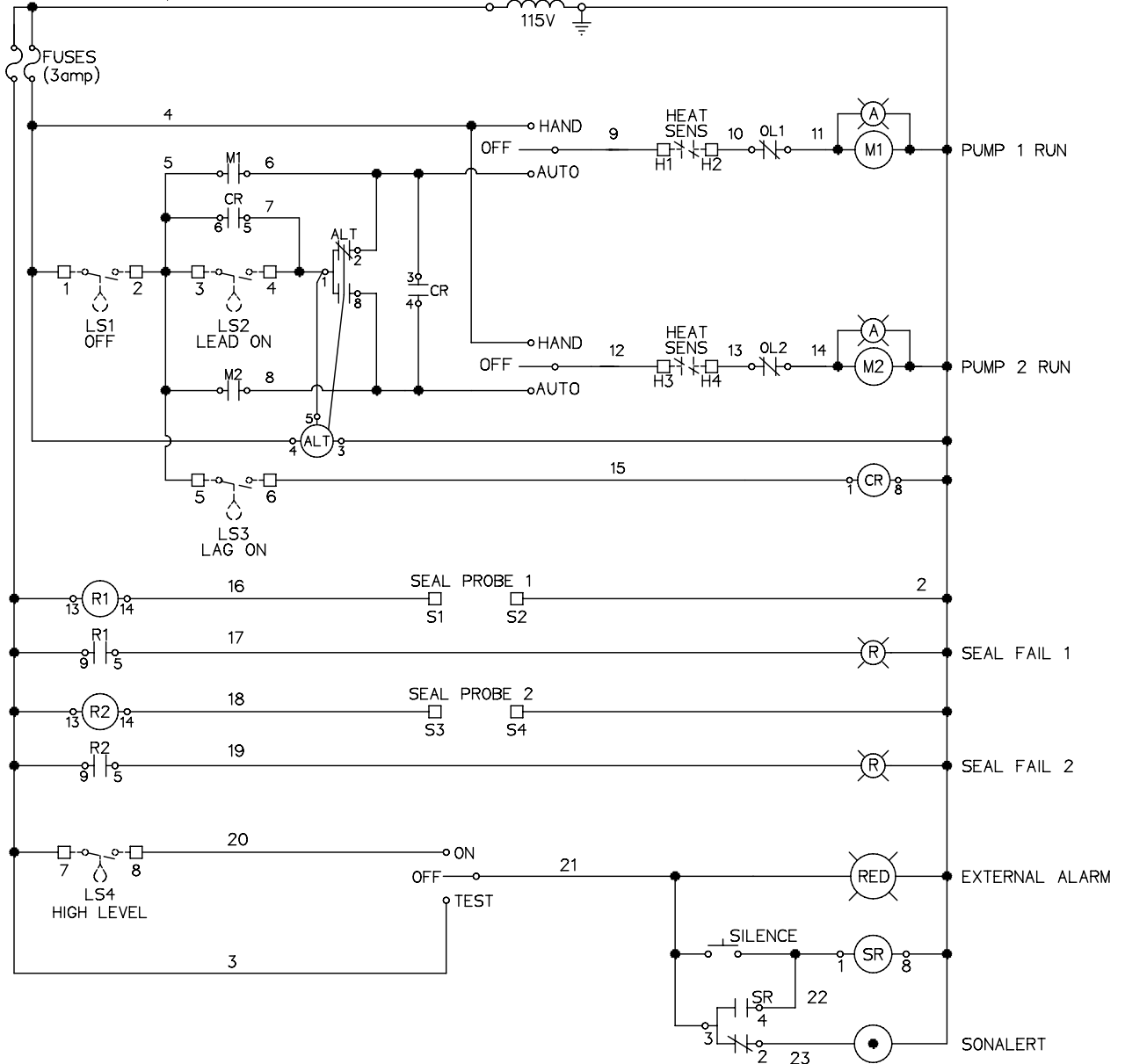
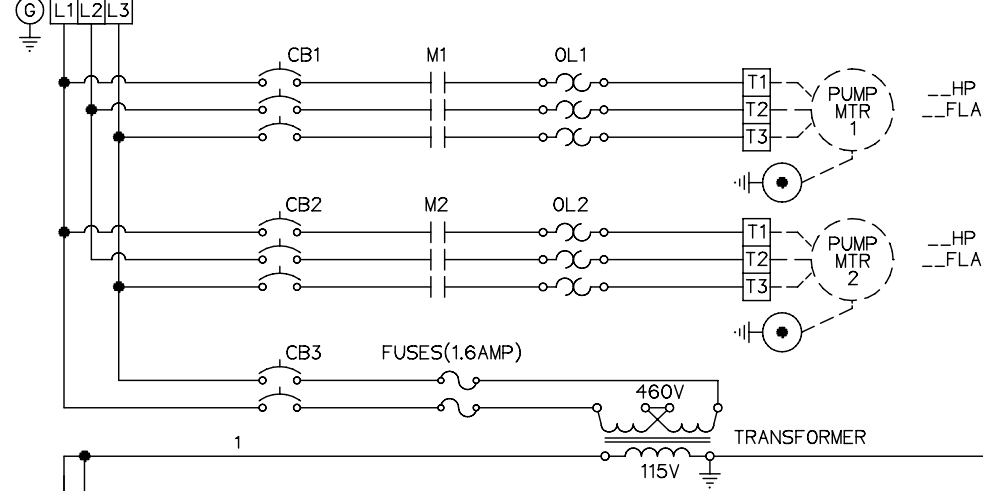


SEWER SYSTEMS

3000 SERIES CONTROL PANEL
DUPLX, 230V, 3 PH

NA0259P05

460V-3Ø-3 WIRE SERVICE



VOLTAGE:	PHASE:	HERTZ:	HP/FLA:
460	3	60	--/--
ENCLOSURE TYPE: 4X			
SHORT CIRCUIT CURRENT: 5KA			
RMS SYMMETRICAL, 480V MAXIMUM			

SGS	02/22/10	-	
DR BY	CHK'D	DATE	ISSUE SCALE



SEWER SYSTEMS

3000 SERIES CONTROL PANEL
DUPLEX, 460V, 3 PH

NA0259P06