

MATERIAL
 ELBOW/FLANGE: CLASS 30 IRON
 GUIDE PLATE: SST
 FASTENERS: SST

NOTE:
 DIMENSIONS ARE FOR REFERENCE
 ONLY, PART IS NOT MADE PER
 THIS DRAWING

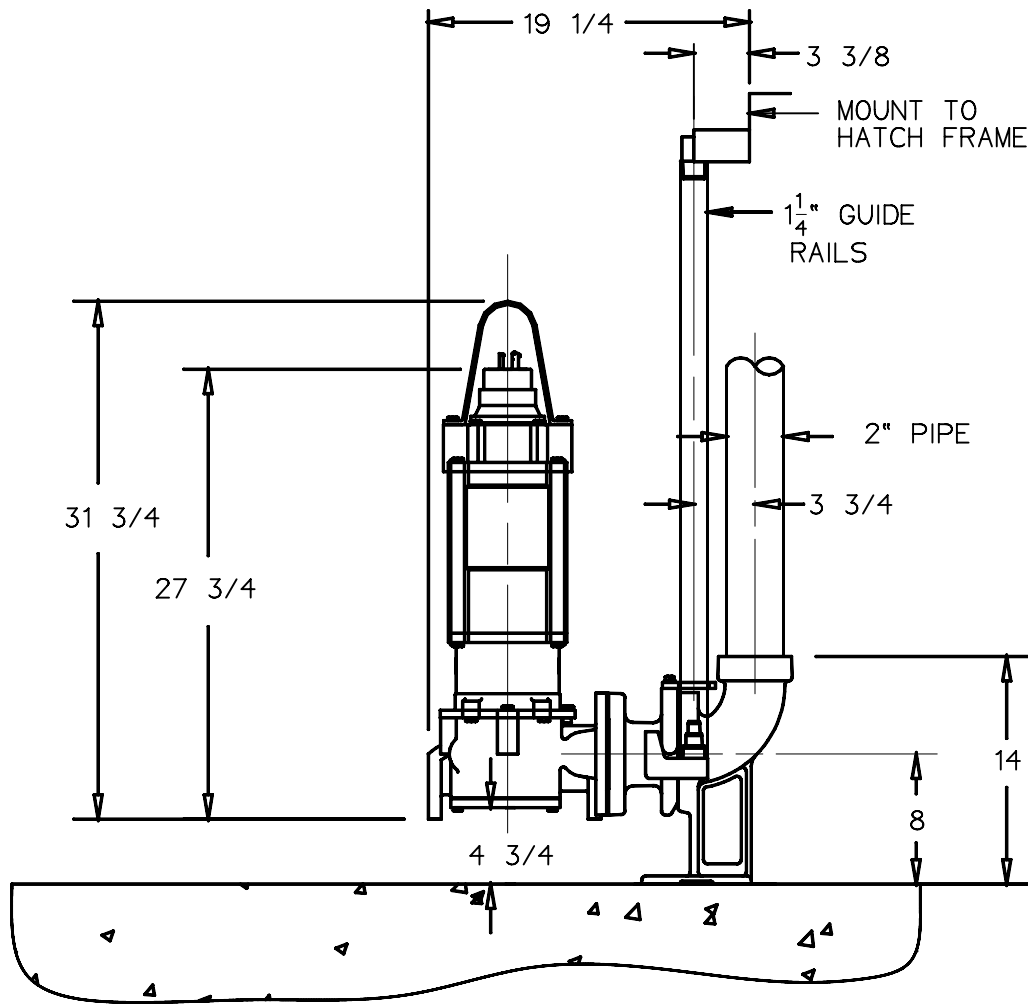
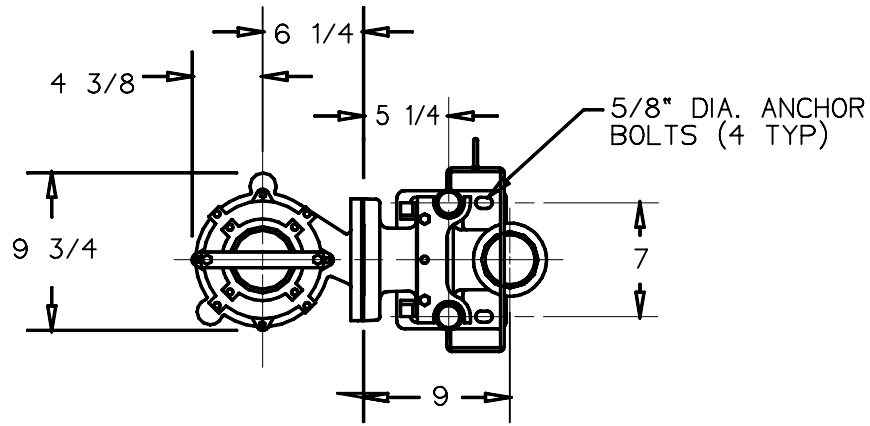
SGS		11/04/09	-	
DR BY	CHK'D	DATE	ISSUE	SCALE




SEWER SYSTEMS

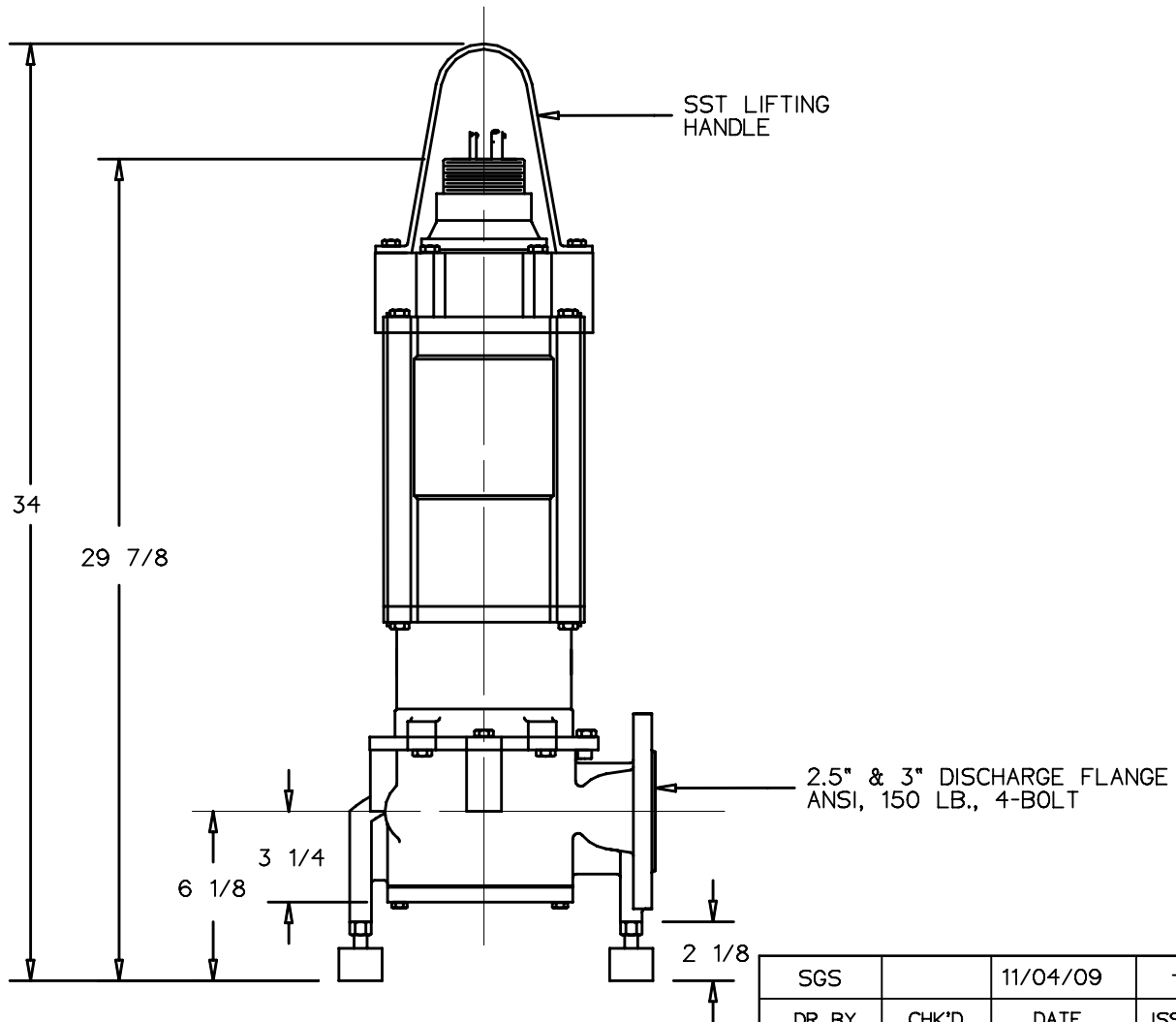
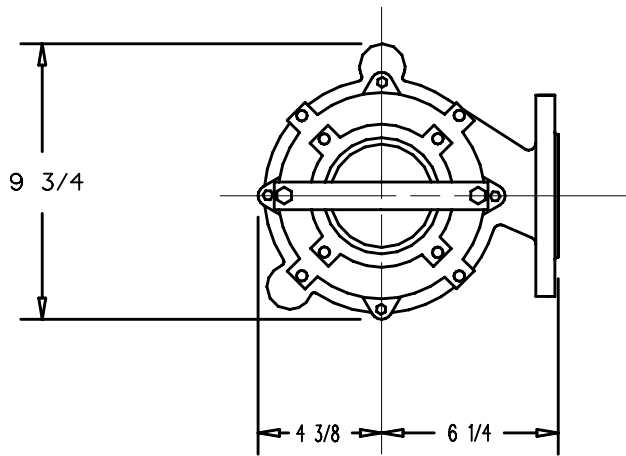
DETAIL, 3" LIFT OUT BASE
 3000 SERIES HIGH HEAD/HIGH FLOW PUMP

NA0231P01



NOTE:
DIMENSIONS ARE FOR REFERENCE ONLY

SGS		11/04/11	A	
DR BY	CHK'D	DATE	ISSUE	SCALE
				
DIMENSION SHEET, LIFT OUT, 3000 SERIES 3 & 5HP HIGH FLOW PUMP				
NA0231P02				



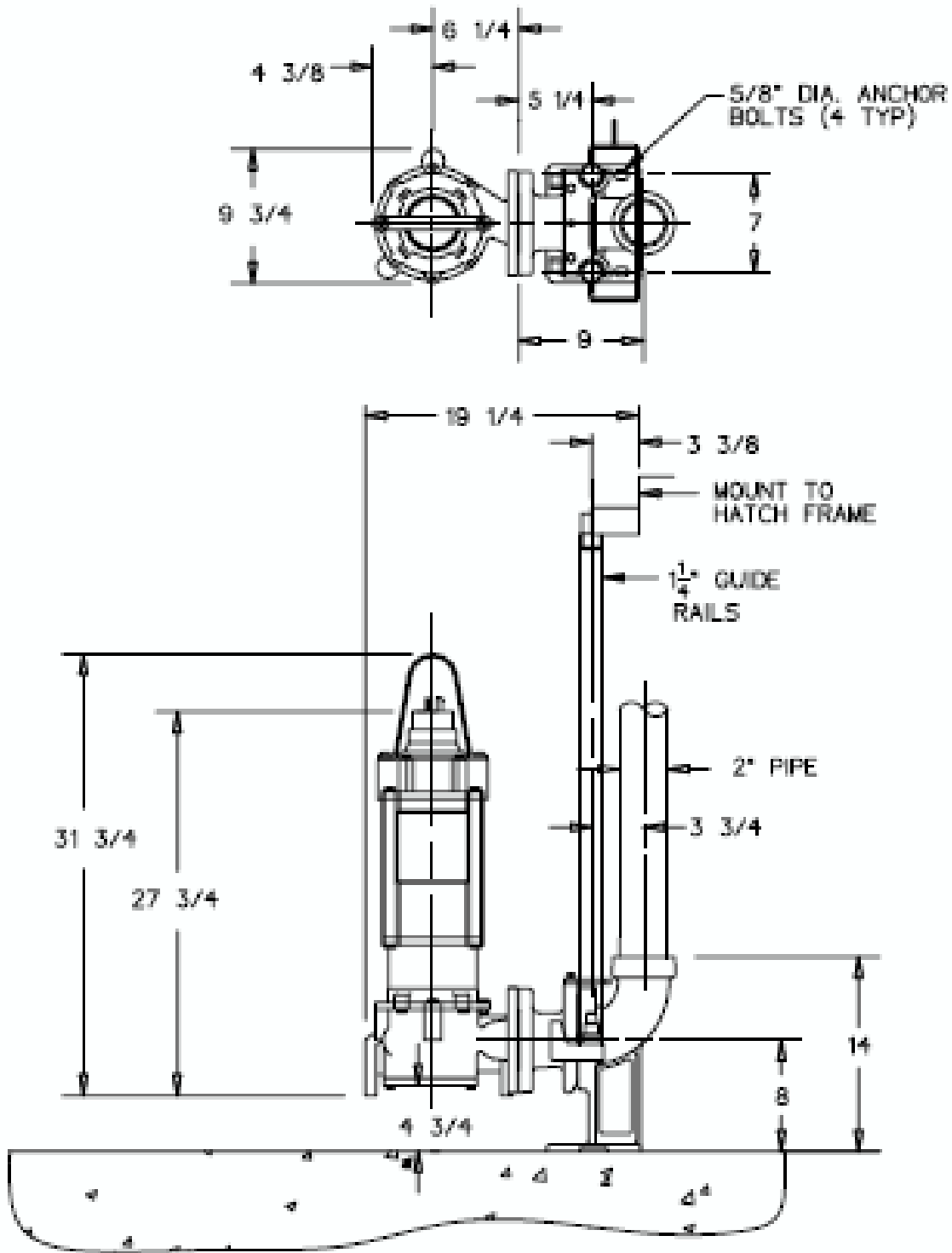
NOTE:
DIMENSIONS ARE FOR REFERENCE ONLY

SGS		11/04/09	-	
DR BY	CHK'D	DATE	ISSUE	SCALE




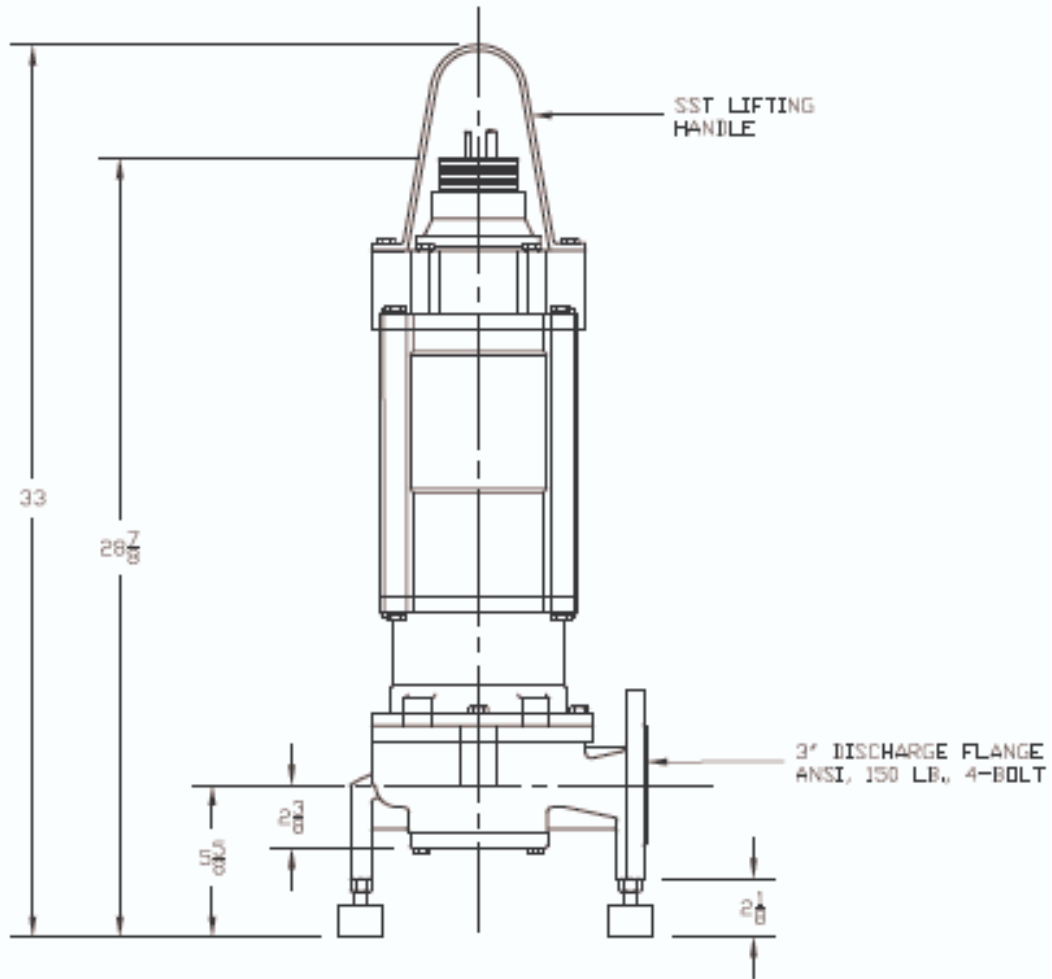
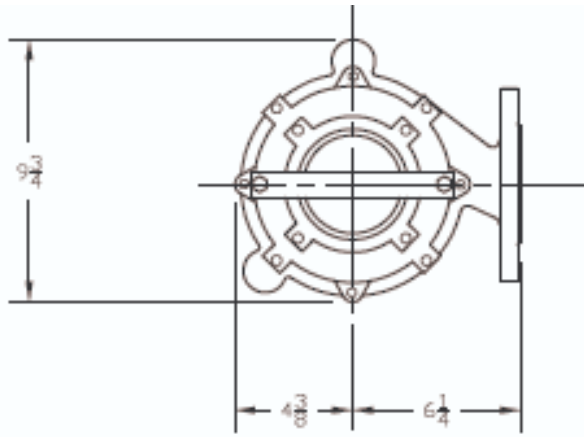
DIMENSION SHEET,
3000 SERIES 3 & 5HP HIGH FLOW PUMP

NA0231P03



NOTE:
DIMENSIONS ARE FOR REFERENCE ONLY

SGS		11/04/11	A	
DR BY	CHK'D	DATE	ISSUE	SCALE
				
DIMENSION SHEET, LIFT OUT, 3000 SERIES 3, 5 & 7.5HP HIGH HEAD PUMP				
NAO232P02				



NOTE:
DIMENSIONS ARE FOR REFERENCE ONLY

SGS		11/04/09	-	
DR BY	CHK'D	DATE	ISSUE	SCALE

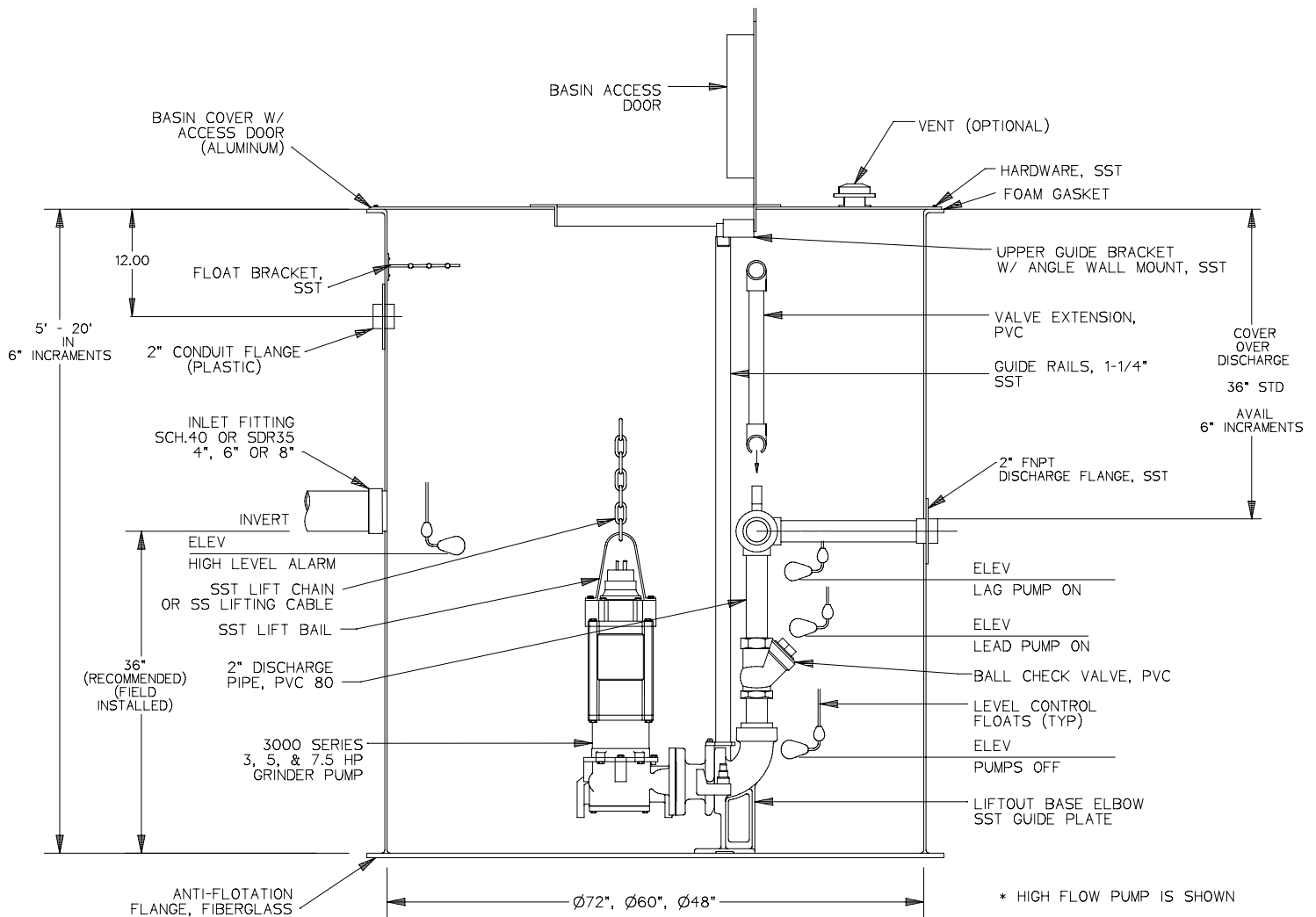
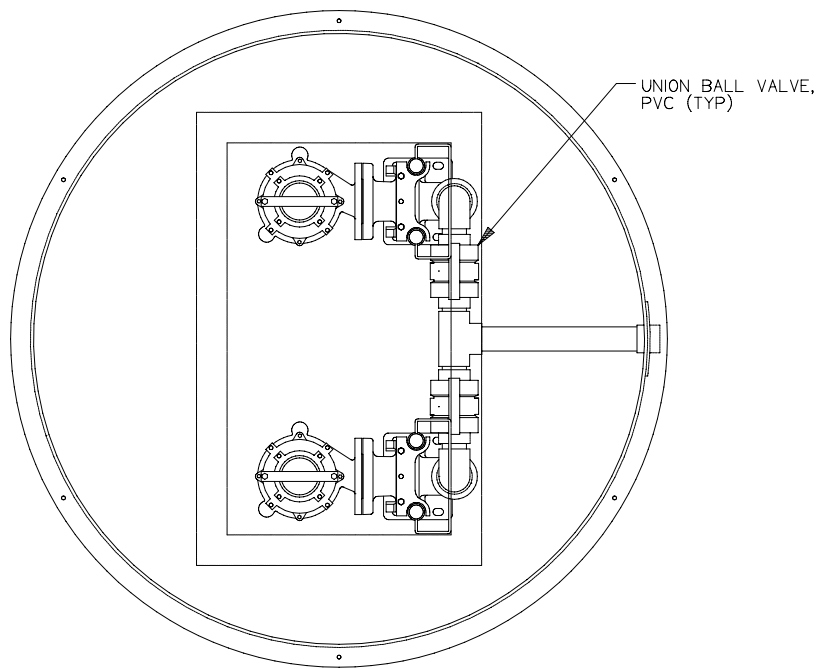


SEWER SYSTEMS

DIMENSION SHEET,
3000 SERIES 3, 5 & 7.5HP HIGH HEAD PUMP

NA0232P03

E / ONE HIGH HEAD AND HIGH FLOW GP STATIONS



* HIGH FLOW PUMP IS SHOWN
DIMENSIONS ARE FOR REFERENCE ONLY

PUMP:		HIGH HEAD	HIGH FLOW
VOLTAGE	PHASE	HP	HP
208V/230V	1 <input type="checkbox"/>	3 <input type="checkbox"/>	3 <input type="checkbox"/>
460V (3 PH ONLY)	3 <input type="checkbox"/>	5 <input type="checkbox"/>	5 <input type="checkbox"/>
		7.5 <input type="checkbox"/>	

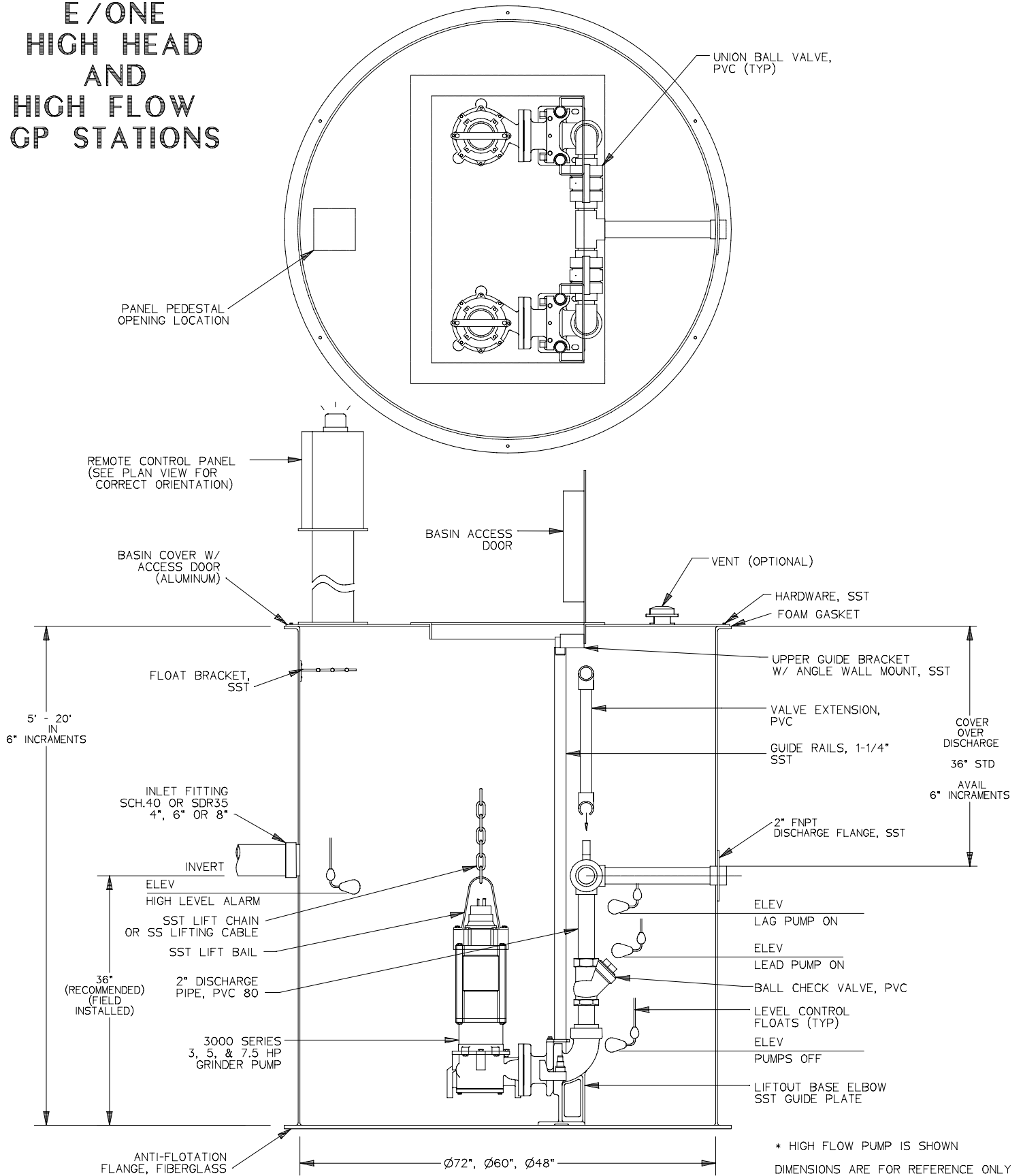
SGS		11/30/09	-	1/16
DR BY	CHK'D	DATE	ISSUE	SCALE



STATION: DUPLEX 3000 SERIES, STD


NA0243P01

E / ONE HIGH HEAD AND HIGH FLOW GP STATIONS

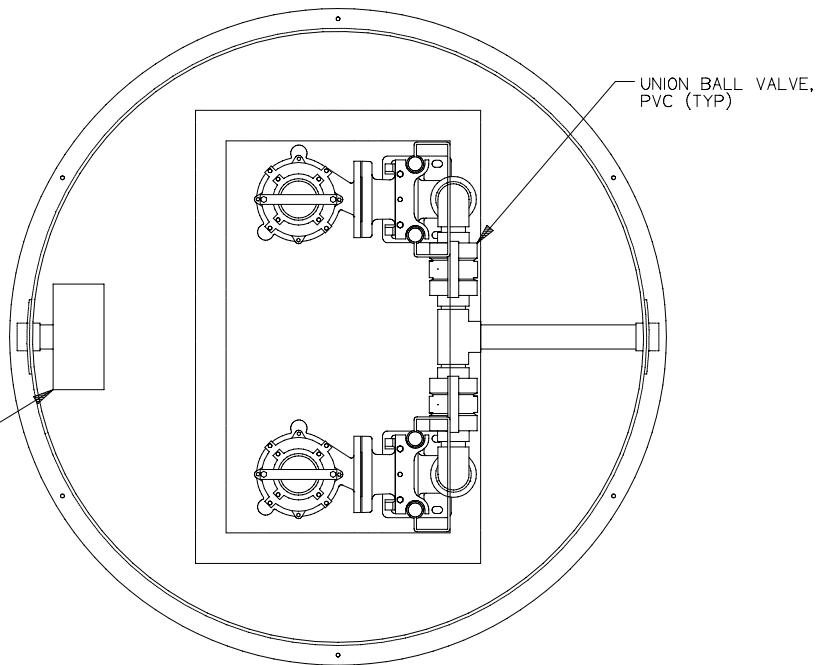


* HIGH FLOW PUMP IS SHOWN
DIMENSIONS ARE FOR REFERENCE ONLY

PUMP:		HIGH HEAD	HIGH FLOW
VOLTAGE	PHASE	HP	HP
208V/230V	1 <input type="checkbox"/>	3 <input type="checkbox"/>	3 <input type="checkbox"/>
460V (3 PH ONLY)	3 <input type="checkbox"/>	5 <input type="checkbox"/>	5 <input type="checkbox"/>
		7.5 <input type="checkbox"/>	

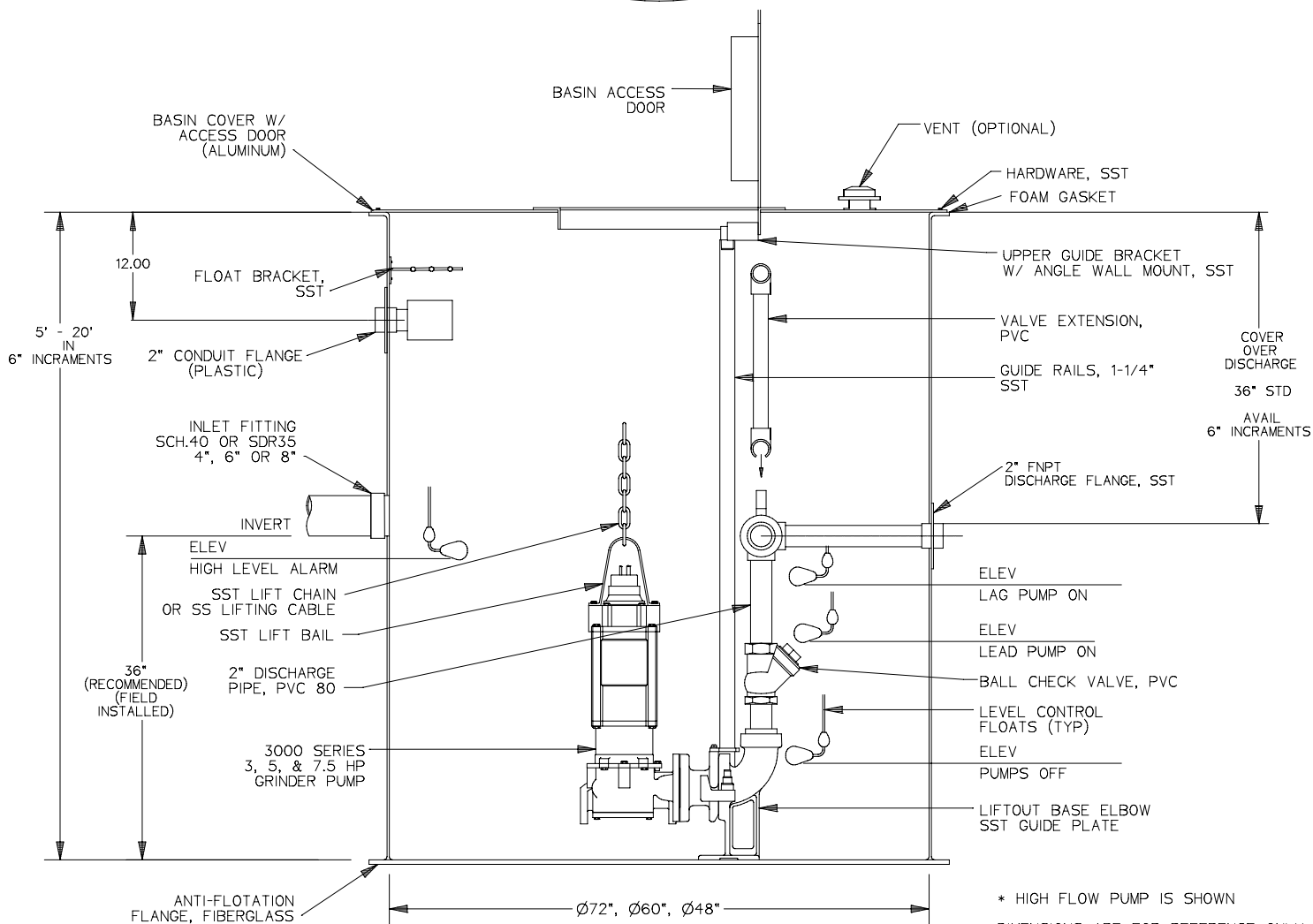
SGS		11/25/09	-	1/16
DR BY	CHK'D	DATE	ISSUE	SCALE
				
STATION: DUPLEX 3000 SERIES, DIRECT WIRE, PEDISTAL MOUNT PANEL				
NA0243P02				

E / ONE HIGH HEAD AND HIGH FLOW GP STATIONS




JUNCTION BOX
(NEMA 4X)

UNION BALL VALVE,
PVC (TYP)



* HIGH FLOW PUMP IS SHOWN
DIMENSIONS ARE FOR REFERENCE ONLY

PUMP:		HIGH HEAD	HIGH FLOW
VOLTAGE	PHASE	HP	HP
208V/230V	1 <input type="checkbox"/>	3 <input type="checkbox"/>	3 <input type="checkbox"/>
460V (3 PH ONLY)	3 <input type="checkbox"/>	5 <input type="checkbox"/>	5 <input type="checkbox"/>
		7.5 <input type="checkbox"/>	

SGS		12/01/09	-	1/16
DR BY	CHK'D	DATE	ISSUE	SCALE
				
STATION: DUPLEX 3000 SERIES, WITH JUNCTION BOX				
NA0243P03				