

# E/One Sentry

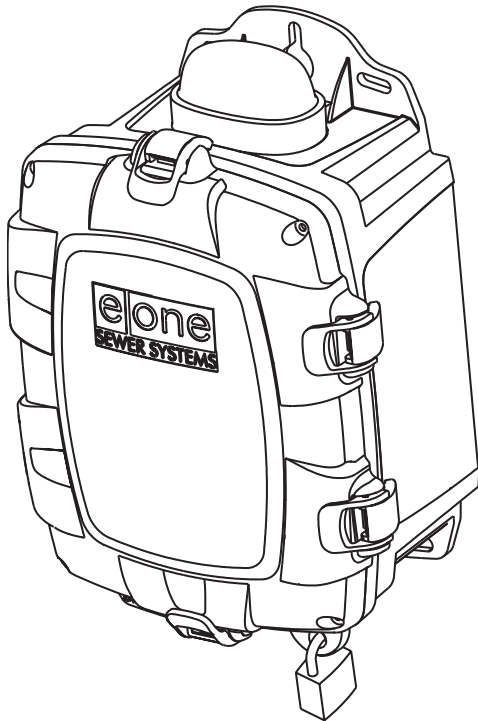
## Alarm Panel — PreSTAT Package

### Description

The E/One Sentry panels are custom designed for use with Environment One grinder pump stations. They can be configured to meet the needs of your application, from basic alarm indication to advanced warning of pending service requirements.

E/One Sentry panels are supplied with audible and visual high level alarms. They are easily installed in accordance with relevant national and local codes. Standard panels are approved by UL, CSA, CE and NSF to ensure high quality and safety.

The panel features a corrosion-proof, NEMA 4X-rated, thermoplastic enclosure. A padlock is provided to prevent unauthorized entry.



### Standard Features

Includes all features of the basic configuration of the basic E/One Sentry panel, including circuit breakers, 240 VAC service, terminal blocks and ground lugs, audible alarm with silence, manual run feature and run indicator, redundant “Start” function with high level alarm

Also includes:

- Predictive status display module
- Pre-alarm indication for major operating parameters
- Alarm indications for major operating parameters
- Programmable auto dialer
- Hour meter, cycle counter and alarm delay
- LCD display and user-friendly interface
- Inner cover (dead front)
- Contact group (dry, powered and Remote Sentry)
- Conformal-coated alarm board (both sides)

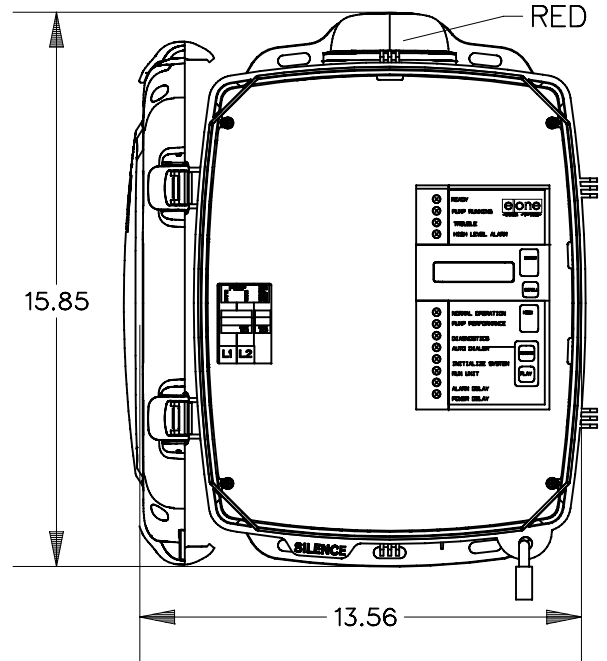
### Optional Features

- Generator receptacle with auto transfer
- GFCI
- Main service disconnect
- Brownout protection

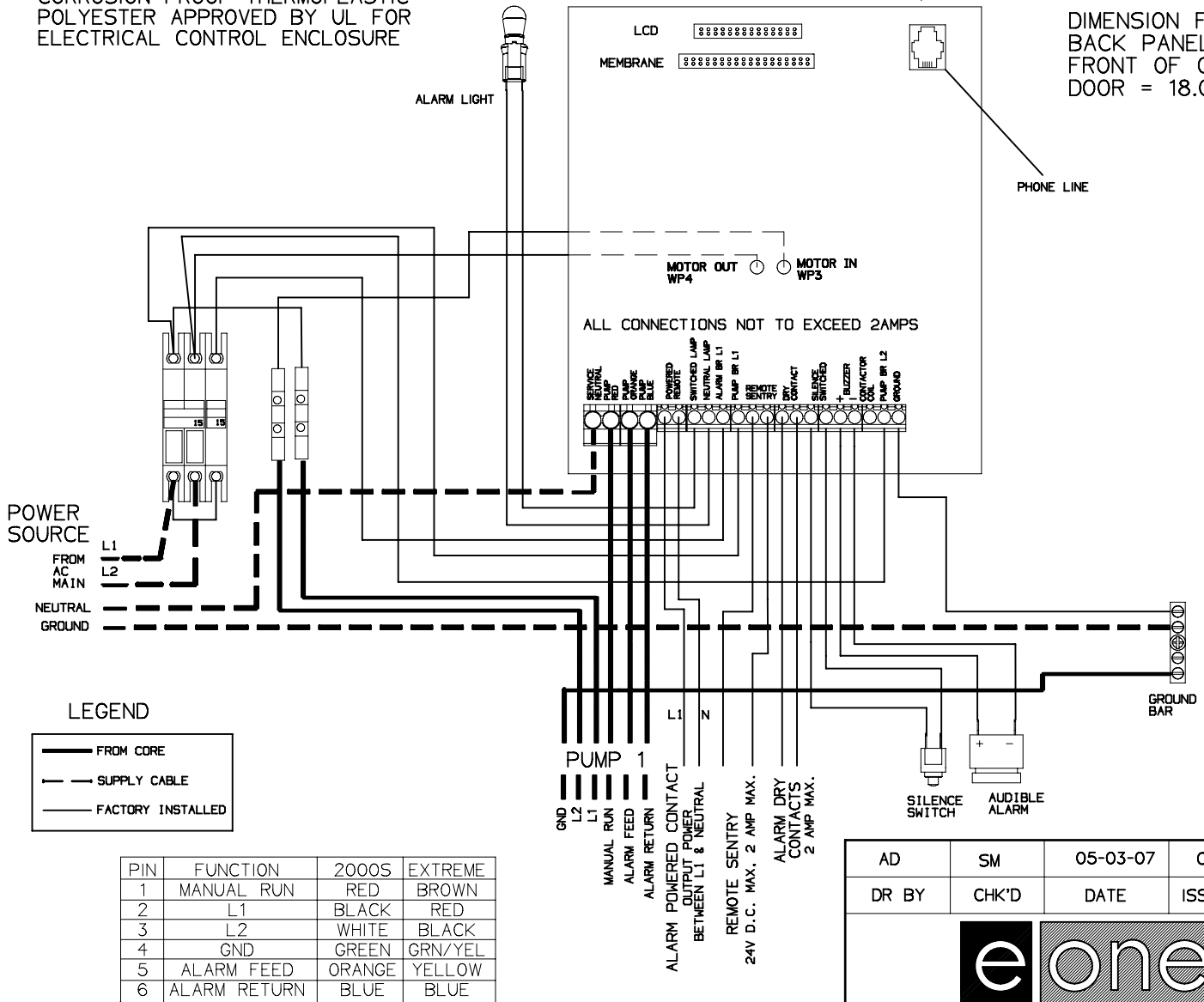
# SENTRY SIMPLEX PRESTAT

- REDUNDANT RUN (HIGH LEVEL)
- EXTERNAL VISUAL & AUDIBLE ALARM
- EXTERNAL LATCHING MANUAL SILENCE
- MANUAL RUN
- PUMP RUN INDICATOR
- CONFORMAL COATED CIRCUIT BOARD
- PADLOCK
- DEAD FRONT
- PREDICTIVE ALARMS
- REAL TIME PUMP PERFORMANCE
- ADJUSTABLE ALARM DELAY
- ADJUSTABLE RUN TIME DELAY
- HOURLY/CYCLE COUNTER
- PROGRAMMABLE AUTO DIALER
- NEMA 4X ENCLOSURE ASSEMBLY

CORROSION PROOF THERMOPLASTIC  
POLYESTER APPROVED BY UL FOR  
ELECTRICAL CONTROL ENCLOSURE



DIMENSION FROM  
BACK PANEL TO  
FRONT OF OPEN  
DOOR = 18.02"



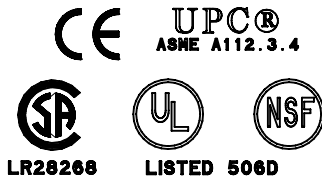
### LEGEND

	FROM CORE
	SUPPLY CABLE
	FACTORY INSTALLED

PIN	FUNCTION	2000S	EXTREME
1	MANUAL RUN	RED	BROWN
2	L1	BLACK	RED
3	L2	WHITE	BLACK
4	GND	GREEN	GRN/YEL
5	ALARM FEED	ORANGE	YELLOW
6	ALARM RETURN	BLUE	BLUE

### CONTROL CABLE:

TYPE TC: DIRECT BURIAL, 12AWG,  
SIX CONDUCTOR



AD	SM	05-03-07	C	N/A
DR BY	CHK'D	DATE	ISSUE	SCALE



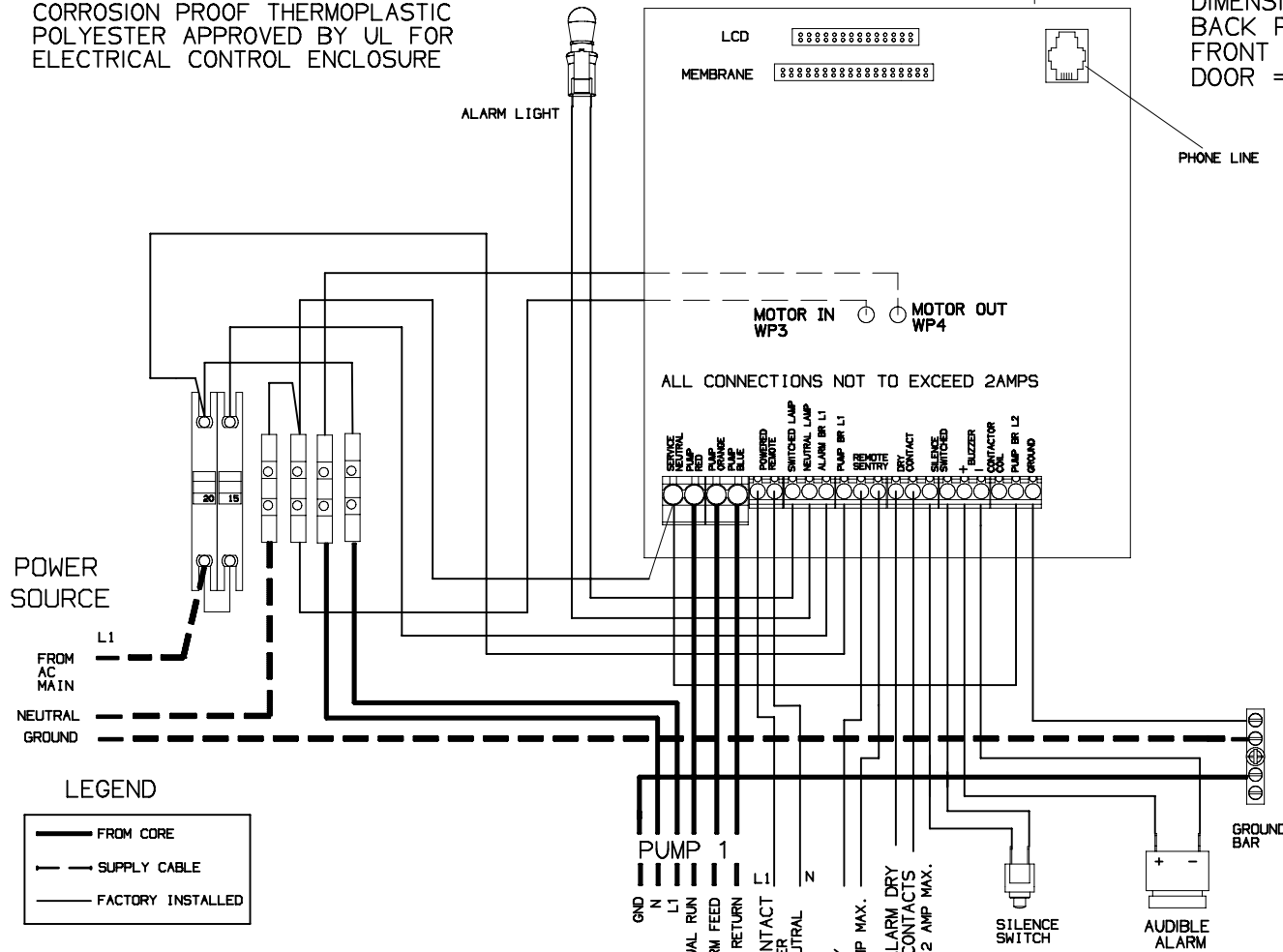
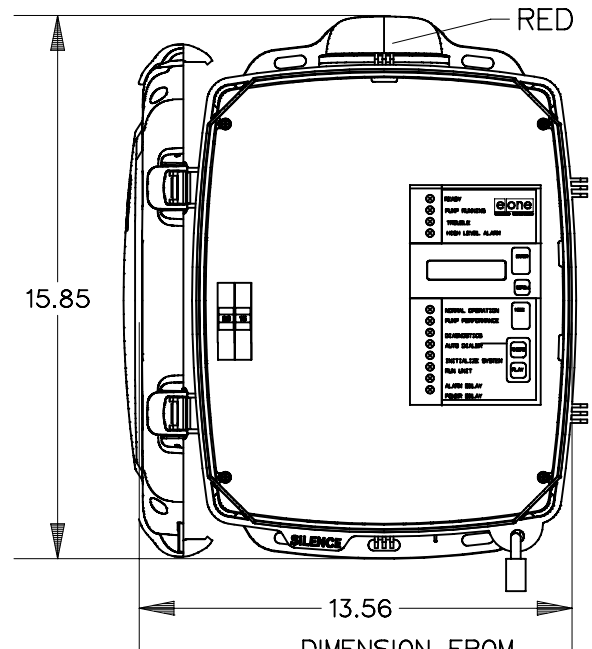
SENTRY SIMPLEX PRESTAT PANEL, 240V,  
60Hz DOUBLE POLE POWER

LM000334

# SENTRY SIMPLEX PRESTAT

- REDUNDANT RUN (HIGH LEVEL)
- EXTERNAL VISUAL & AUDIBLE ALARM
- EXTERNAL LATCHING MANUAL SILENCE
- MANUAL RUN
- PUMP RUN INDICATOR
- CONFORMAL COATED CIRCUIT BOARD
- PADLOCK
- DEAD FRONT
- PREDICTIVE ALARMS
- REAL TIME PUMP PERFORMANCE
- ADJUSTABLE ALARM DELAY
- ADJUSTABLE RUN TIME DELAY
- HOUR/CYCLE COUNTER
- PROGRAMMABLE AUTO DIALER
- NEMA 4X ENCLOSURE ASSEMBLY

CORROSION PROOF THERMOPLASTIC  
POLYESTER APPROVED BY UL FOR  
ELECTRICAL CONTROL ENCLOSURE

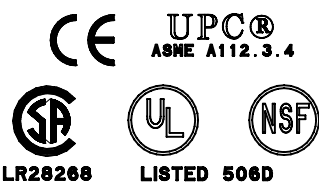


**LEGEND**

- FROM CORE
- - - SUPPLY CABLE
- FACTORY INSTALLED

PIN	FUNCTION	2000S	EXTREME
1	MANUAL RUN	RED	BROWN
2	L1	BLACK	RED
3	N	WHITE	BLACK
4	GND	GREEN	GRN/YEL
5	ALARM FEED	ORANGE	YELLOW
6	ALARM RETURN	BLUE	BLUE

**CONTROL CABLE:**  
TYPE TC: DIRECT BURIAL, 12AWG,  
SIX CONDUCTOR



AD	SM	01-10-08	D	N/A
DR BY	CHK'D	DATE	ISSUE	SCALE



SENTRY SIMPLEX PRESTAT PANEL,  
120V, 60Hz SINGLE POLE POWER

LM000333