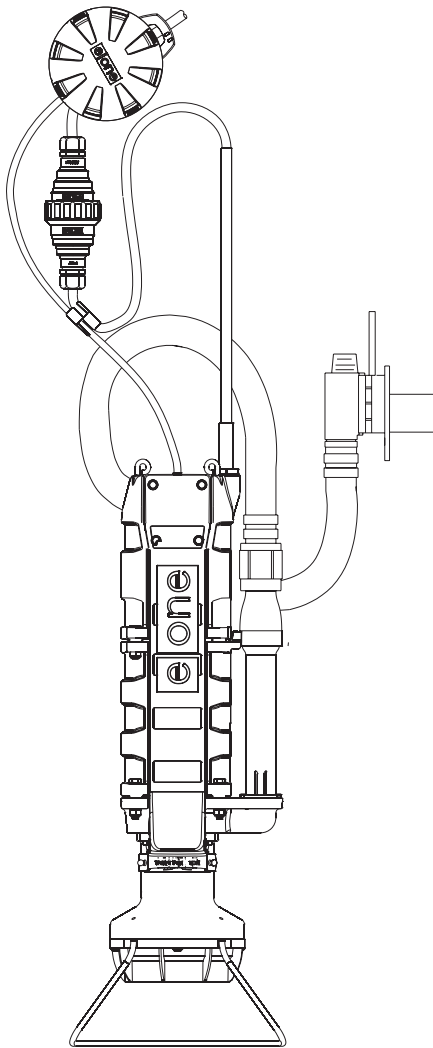


Upgrade



General Applications

The E/One Upgrade grinder pump is engineered to fit into virtually any grinder pump wet well. Universal design allows easy drop-in conversion, ready to connect. The Upgrade is a complete replacement for all of the troublesome components of a centrifugal, including the old unit's slide rails, pump/motor, float switches, piping and motor control devices.

General Features

All solids are ground into fine particles, allowing them to pass easily through the pump, check valve and small-diameter pipelines. Even objects not normally found in sewage, such as plastic, rubber, fiber, wood, etc., are ground into fine particles.

The grinder is designed not to jam and for minimum wear to the grinding mechanism.

The Upgrade comes complete with a self-contained level control system, eliminating troublesome float switches. The grinder pump is automatically activated and runs infrequently for very short periods. The annual energy consumption is typically that of a 40-watt light bulb.

The 1 1/4-inch slide face discharge connection is adaptable to any existing discharge piping.

The internal check valve assembly located on the grinder pump is custom-designed for non-clog, trouble-free operation.

Units are available with a number of discharge hose lengths to accommodate a wide range of existing tank depths.

Operational Information

Motor

1 hp, 1,725 rpm, high torque, capacitor start, thermally protected, 120/240V, 60 Hz, 1 phase

Discharge Connections

Pump discharge terminates in 1 1/4-inch female solvent weld fitting; threaded adapter is supplied and discharge can easily be adapted to 1 1/4-inch MPT.

Discharge

15 gpm at 0 psig

11 gpm at 40 psig

7.8 gpm at 80 psig

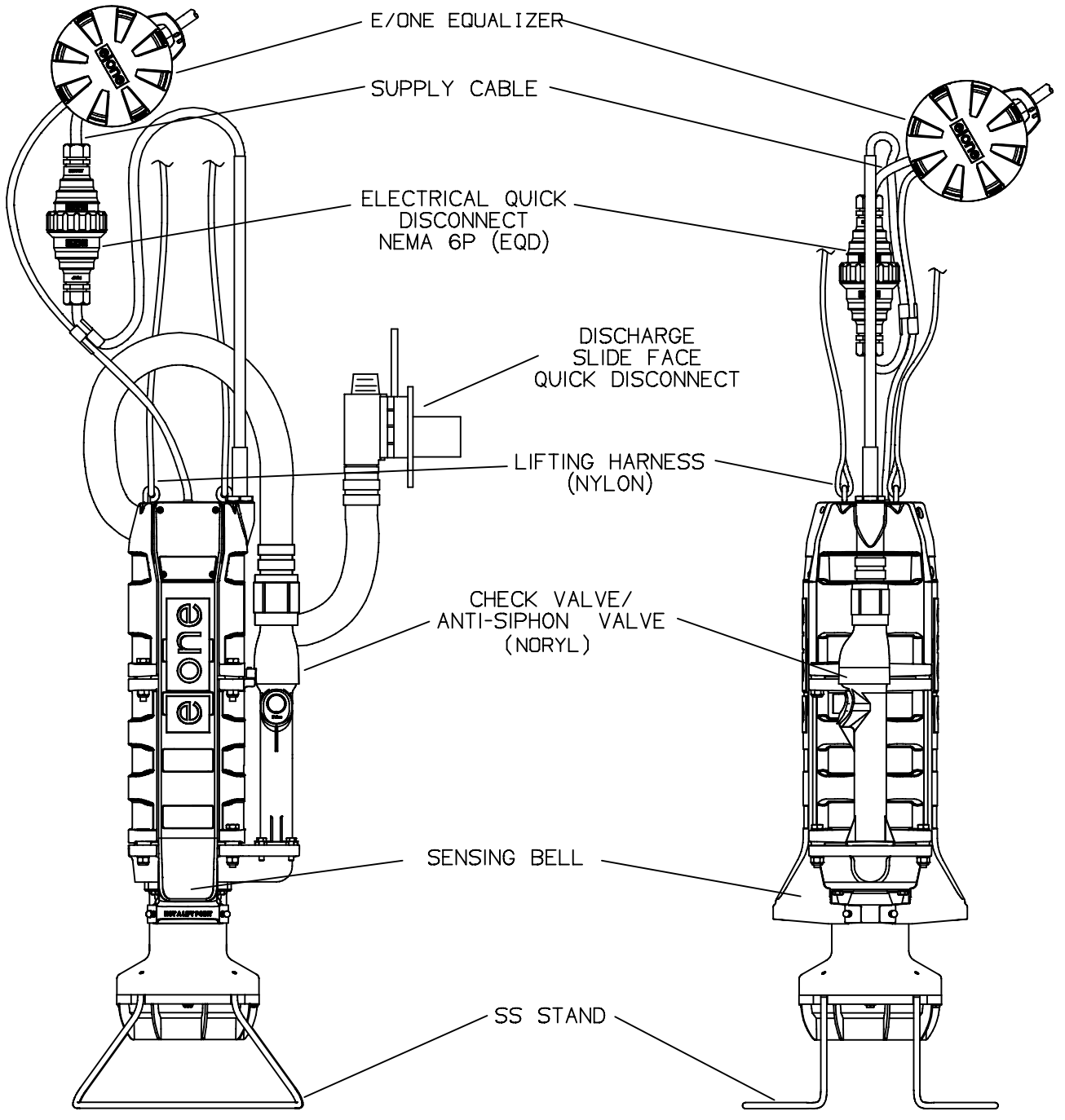
Overload Capacity

The maximum pressure that the pump can generate is limited by the motor characteristics. The motor generates a pressure well below the rating of the piping and appurtenances. The automatic rest feature does not require manual operation following overload.

Patent Number: 5,439,180

* Discharge data includes loss through check valve, which is minimal.

NA0055P01



UPGRADE GRINDER PUMP

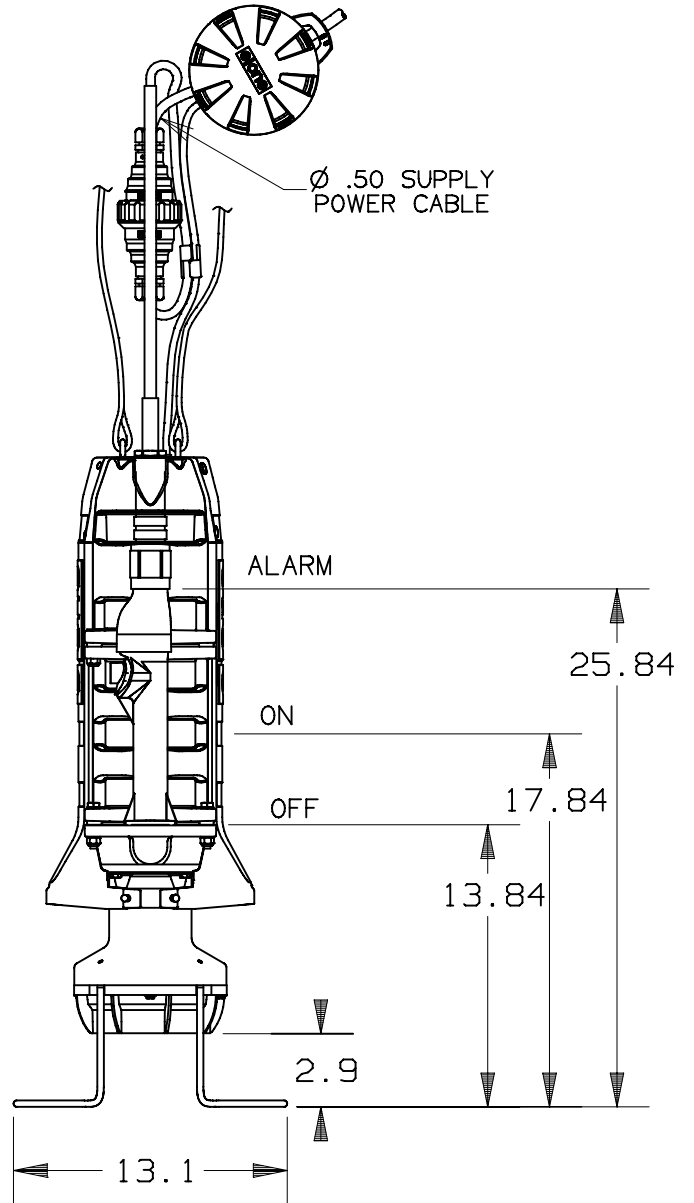
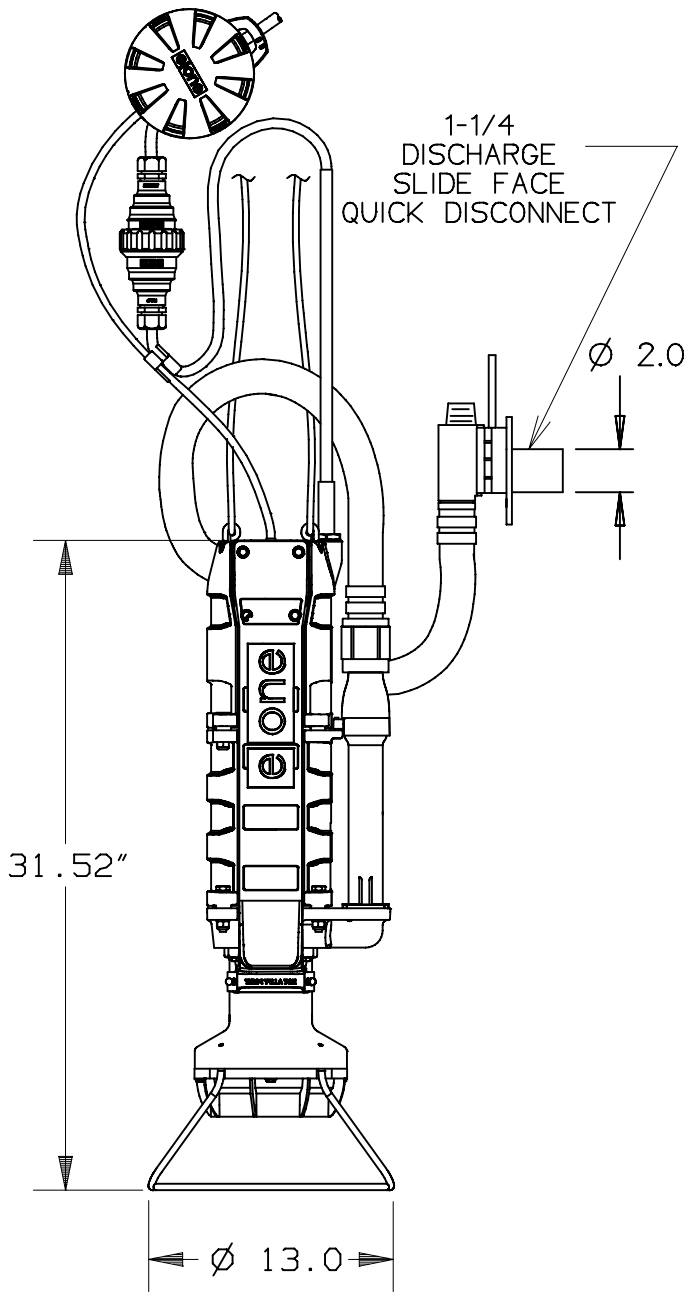


LNT	GAE	04/24/07	-	
DR BY	CHK'D	DATE	ISSUE	SCALE



UPGRADE FEATURES

NA0055P01



CTT		06/27/07	A	
DR BY	CHK'D	DATE	ISSUE	SCALE

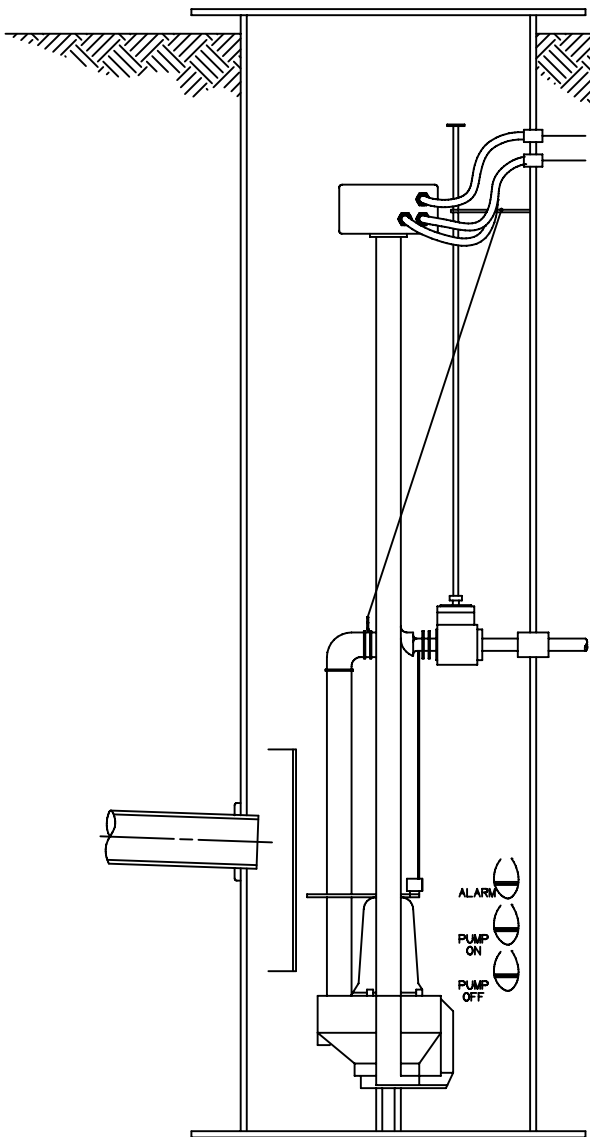
UPGRADE GRINDER PUMP



DIMENSION SHEET, UPGRADE

NA0055P02

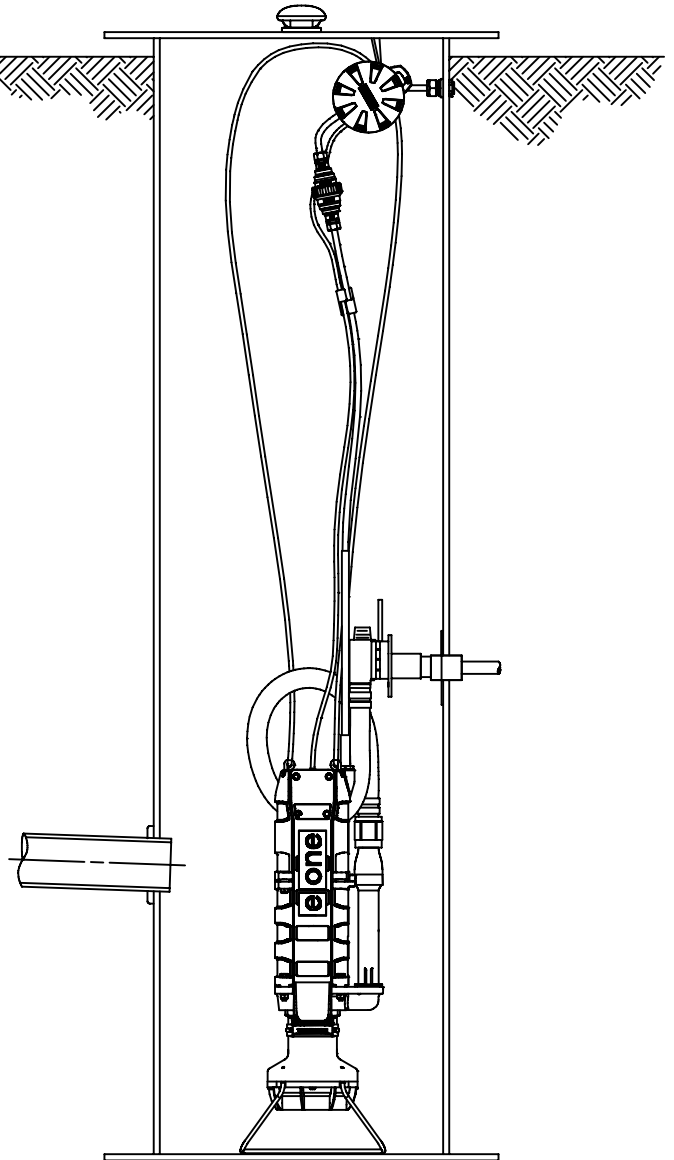
BEFORE



CENTRIFUGAL STATION
TO BE UPGRADED

TO...

AFTER



eone UPGRADE



* IN THE MAJORITY OF UPGRADE INSTALLATIONS
THE EXISTING INLET, DISCHARGE, AND
POWER SUPPLY CABLES CAN BE UTILIZED
WITHOUT MODIFICATION INCLUDING J-BOX
AND FEED-THRU'S

LNT	GAE	04/24/07	-	
DR BY	CHK'D	DATE	ISSUE	SCALE

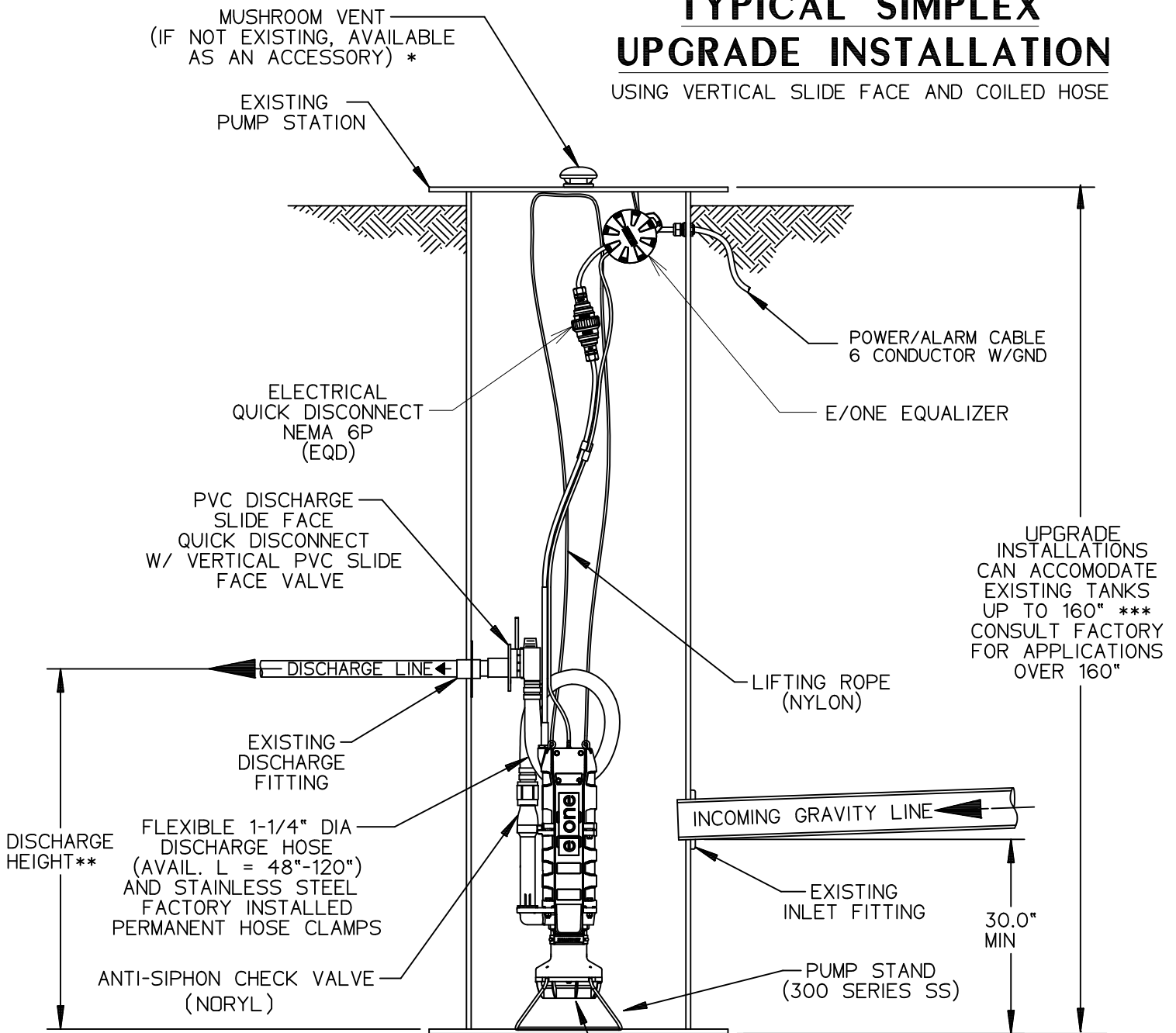
eone
SEWER SYSTEMS

REPLACEMENT ILLUSTRATION

NA0055P03

TYPICAL SIMPLEX UPGRADE INSTALLATION

USING VERTICAL SLIDE FACE AND COILED HOSE



SEMI-POSITIVE DISPLACEMENT TYPE PUMP.
EACH DIRECTLY DRIVEN BY A 1 HP MOTOR



CTT		04/27/09	B	
DR BY	CHK'D	DATE	ISSUE	SCALE



DETAIL SHEET, UPGRADE SIMPLEX
VERTICAL SLIDE FACE, COILED HOSE

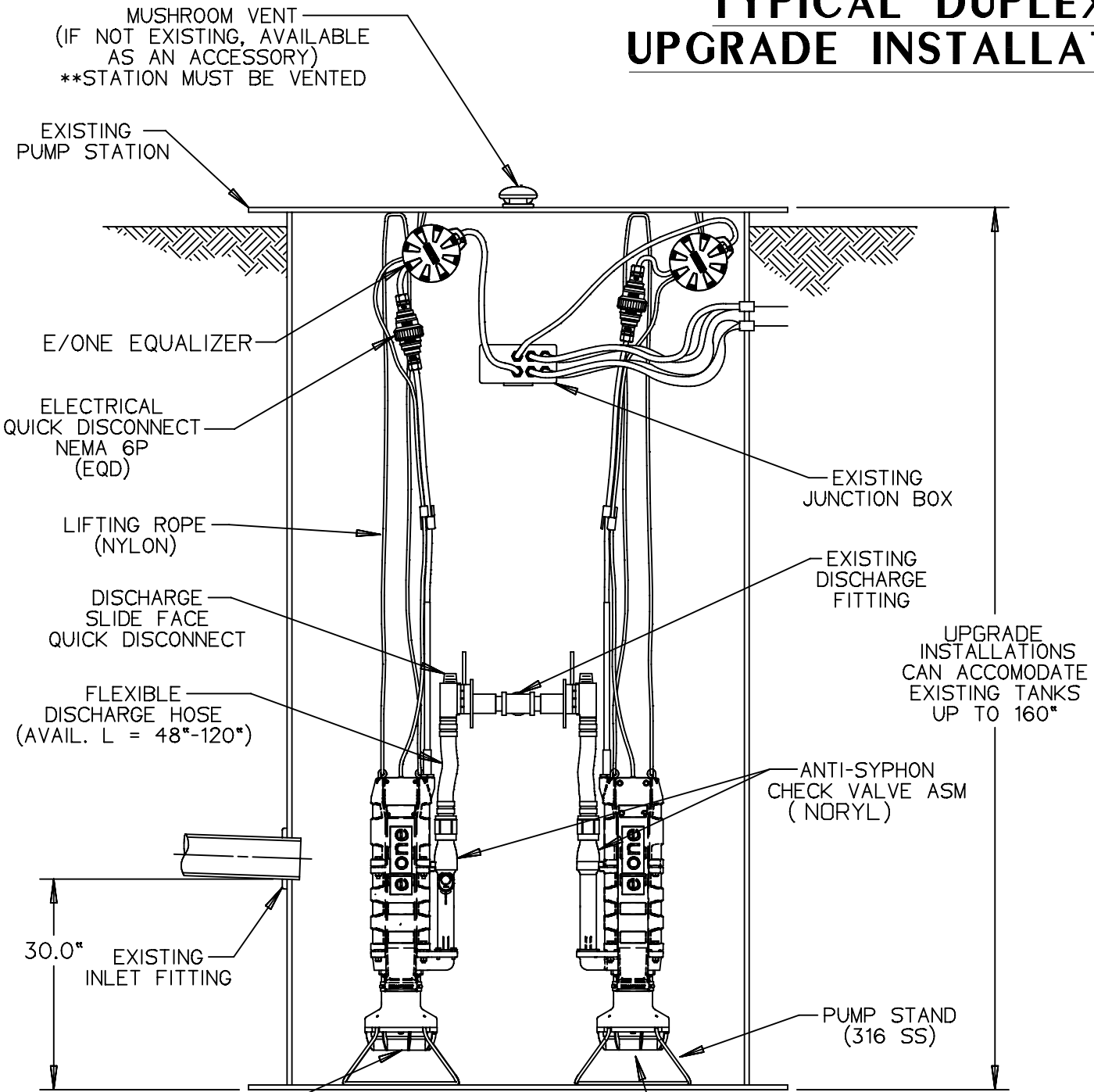
NA0055P04

* STATION MUST BE VENTED

** DISCHARGE HEIGHT MUST BE KNOWN WITHIN 3 FEET
TO ORDER PROPER KIT

*** DISCHARGE HEIGHT MUST NOT BE GREATER THAN 150 INCHES

TYPICAL DUPLEX UPGRADE INSTALLATION



LNT	GAE	04/24/07	-	
DR BY	CHK'D	DATE	ISSUE	SCALE

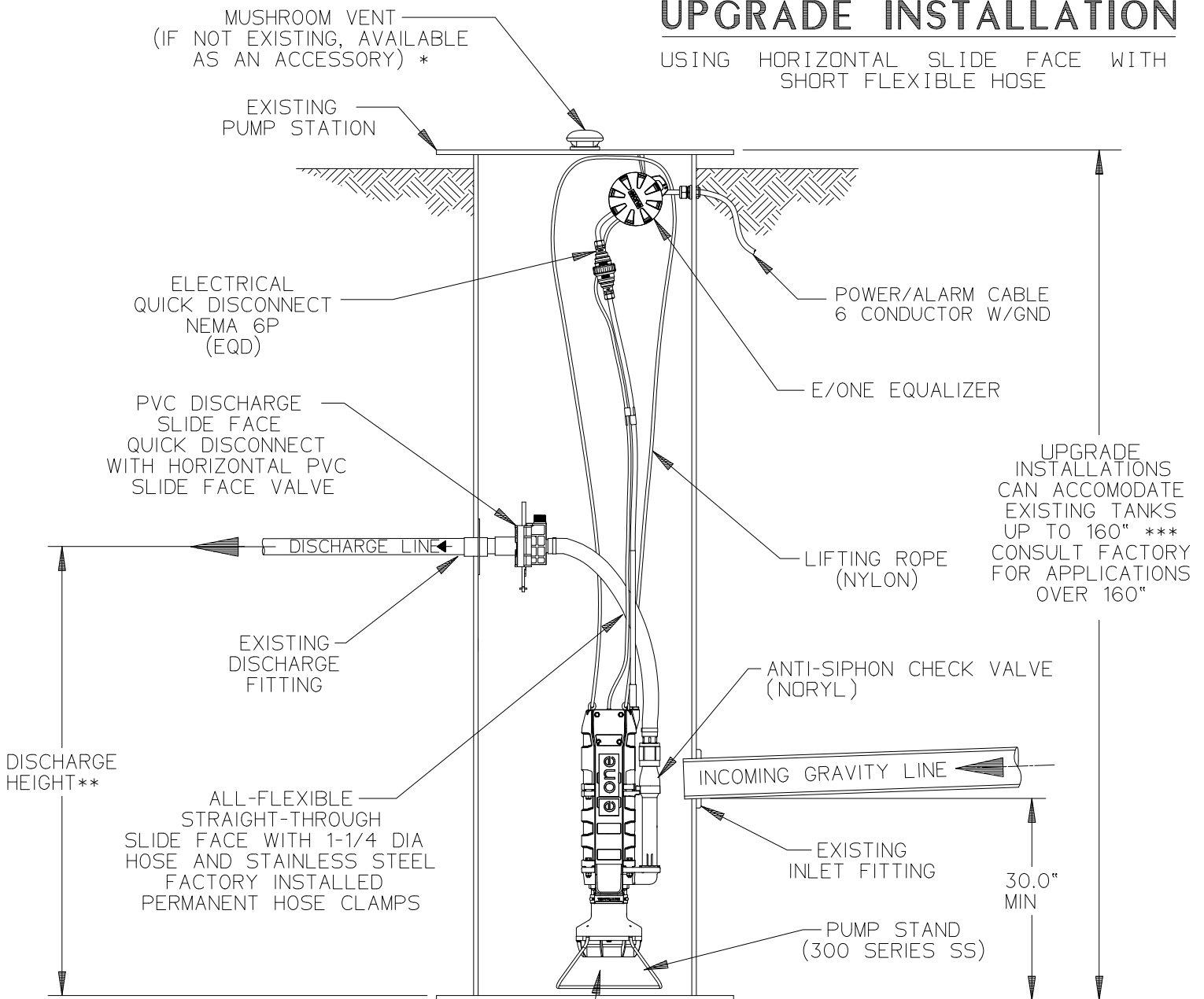
eone
SEWER SYSTEMS

DETAIL SHEET, UPGRADE DUPLEX
TYPICAL DROP-IN EXISTING STATION

NA0055P05

TYPICAL SIMPLEX UPGRADE INSTALLATION

USING HORIZONTAL SLIDE FACE WITH
SHORT FLEXIBLE HOSE



SEMI-POSITIVE DISPLACEMENT TYPE PUMP
DIRECTLY DRIVEN BY 1 HP MOTOR



LNT	GAE	04/27/09	A	
DR BY	CHK'D	DATE	ISSUE	SCALE



DETAIL SHEET, UPGRADE SIMPLEX
HORIZONTAL SLIDE FACE, FLEXIBLE HOSE

NA0055P06

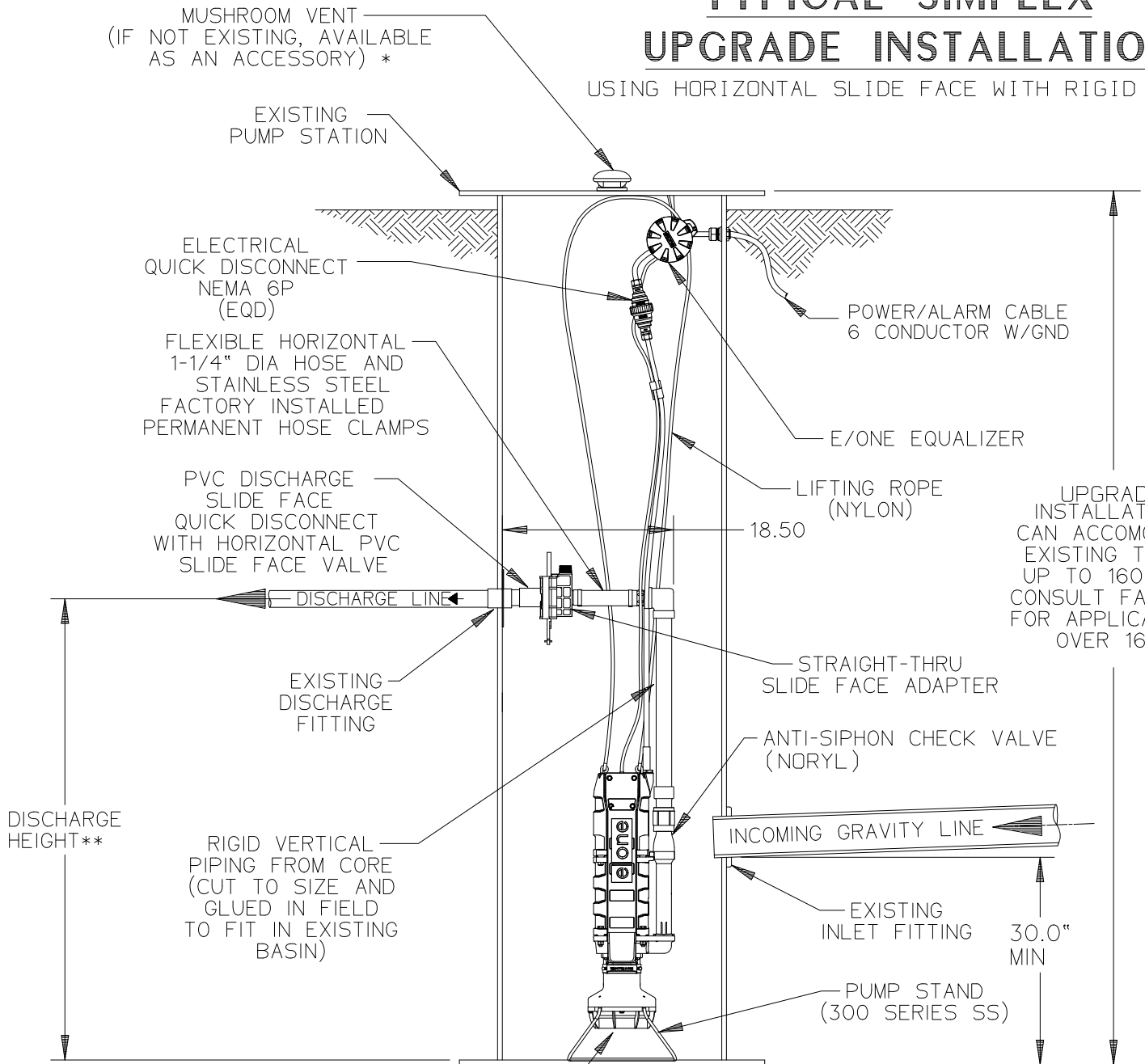
* STATION MUST BE VENTED

** DISCHARGE HEIGHT MUST BE KNOWN WITHIN ± 3 INCHES
TO ORDER PROPER KIT

*** DISCHARGE HEIGHT MUST NOT BE GREATER THAN 108 INCHES

TYPICAL SIMPLEX UPGRADE INSTALLATION

USING HORIZONTAL SLIDE FACE WITH RIGID PIPING



UPGRADE INSTALLATIONS CAN ACCOMMODATE EXISTING TANKS UP TO 160" *** CONSULT FACTORY FOR APPLICATIONS OVER 160"

SEMI-POSITIVE DISPLACEMENT TYPE PUMP DIRECTLY DRIVEN BY 1 HP MOTOR



LNT	GAE	04/27/09	A	
DR BY	CHK'D	DATE	ISSUE	SCALE



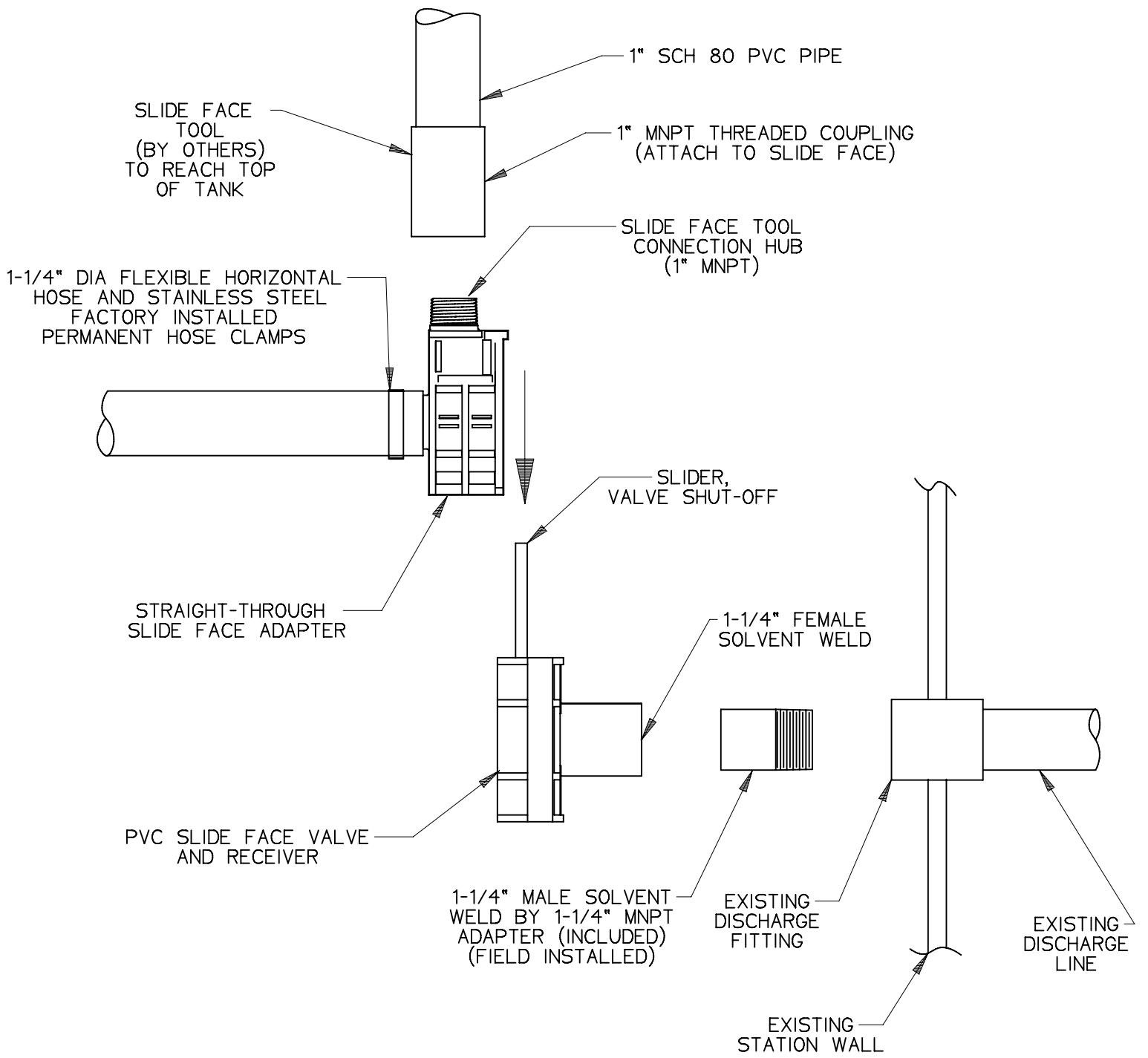
DETAIL SHEET, UPGRADE SIMPLEX HORIZONTAL SLIDE FACE, RIGID DISCHARGE

NA0055P07

* STATION MUST BE VENTED

** DISCHARGE HEIGHT MUST BE KNOWN WITHIN 2 FEET TO ORDER FACTORY SUPPLIED PIPING

*** DISCHARGE HEIGHT NOT RECOMMENDED TO BE GREATER THAN 84 INCHES



UPC®
ASME A112.3.4



SGS	CAH	06/27/07	-	1/16
DR BY	CHK'D	DATE	ISSUE	SCALE

SLIDE FACE ASSEMBLY

USING HORIZONTAL SLIDE FACE WITH RIGID PIPING

NOTE: HEIGHT OF DISCHARGE CENTERLINE FROM TANK BOTTOM MUST BE KNOWN WITHIN 2 FEET TO PROPERLY ORDER THIS OPTION



UPGRADE DISCHARGE DETAIL
RIGID PIPE WITH HORIZONTAL SLIDE FACE

NA0055P08