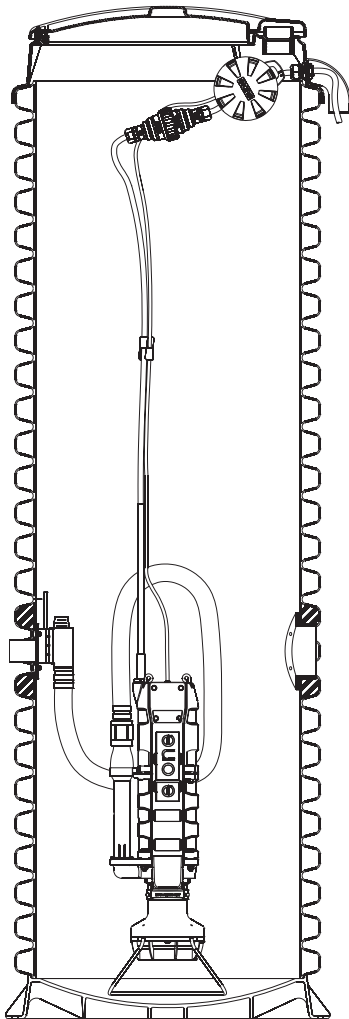


WH101/WR101



Features

The WH101 is a complete unit that includes: the grinder pump, check valve, HDPE (high density polyethylene) tank and controls.

The WH101 is the “hardwired,” or “wired,” model where a cable connects the motor controls to the level controls through watertight penetrations.

The WR101 is the “radio frequency identification” (RFID), or “wireless,” model that uses wireless technology to communicate between the level controls and the motor controls.

All solids are ground into fine particles, allowing them to pass easily through the pump, check valve, and small diameter pipe lines. Even objects that are not normally found in sewage, such as plastic, rubber, fiber, wood, etc. are ground into fine particles.

The 1-1/4” inch discharge connection is adaptable to any piping materials, thereby allowing us to meet your local code requirements.

The tank is made of tough corrosion-resistant HDPE. The optimum tank capacity of 70 gallons is based upon computer studies of water usage patterns. A single WH101 or WR101 can accommodate the sewage flow from two single family homes or 700 gallons per day.

The internal check valve assembly, located in the grinder pump, is custom designed for non-clog, trouble-free operation.

The grinder pump is automatically activated. It runs infrequently for very short periods. The annual energy consumption is typically that of a 40 watt light bulb.

Units are available for indoor and outdoor installations. Outdoor units are designed to accommodate a wide range of depths.

Operational Information

Motor

1 HP, 1,725 RPM, high torque, capacitor start, thermally protected, 120/240 V / 60 Hz, one phase

Inlet Connections

4” PVC inlet flange for schedule 40 pipe

Discharge Connections

Pump discharge terminates in 1-1/4” socket for PVC solvent weld. Can easily be adapted to 1-1/4” PVC pipe or any other material required by local codes.

*Discharge**

15 gpm at 0 psig

11 gpm at 40 psig

7.8 gpm at 80 psig

Overload Capacity

The maximum pressure that the pump can generate is limited by the motor characteristics. The motor generates a pressure well below the rating of the piping and appurtenances. The automatic reset feature does not require manual operation following overload.

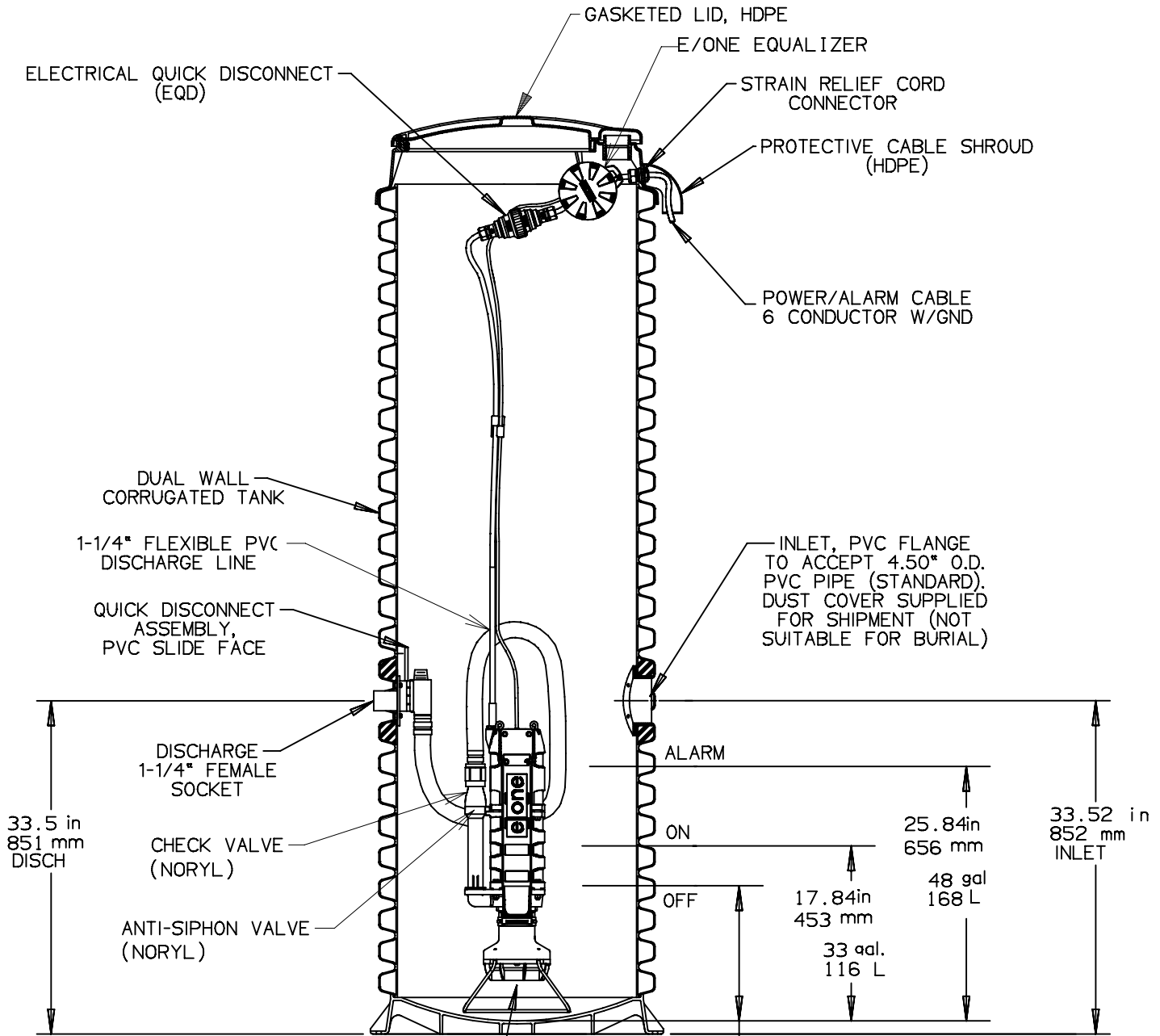
Patent Numbers: 5,752,315
5,562,254 5,439,180

* Discharge data includes loss through check valve, which is minimal.

NA0057P01

OPTIONS : **WH101** (HARD WIRED LEVEL CONTROLS)

WR101 (WIRELESS LEVEL CONTROLS)



SEMI-POSITIVE DISPLACEMENT TYPE PUMP DIRECTLY DRIVEN BY A 1 HP MOTOR

CONCRETE BALLAST MAY BE REQUIRED
SEE INSTALLATION INSTRUCTIONS
FOR DETAILS



AD	CH	10/20/10	D	
DR BY	CHK'D	DATE	ISSUE	SCALE

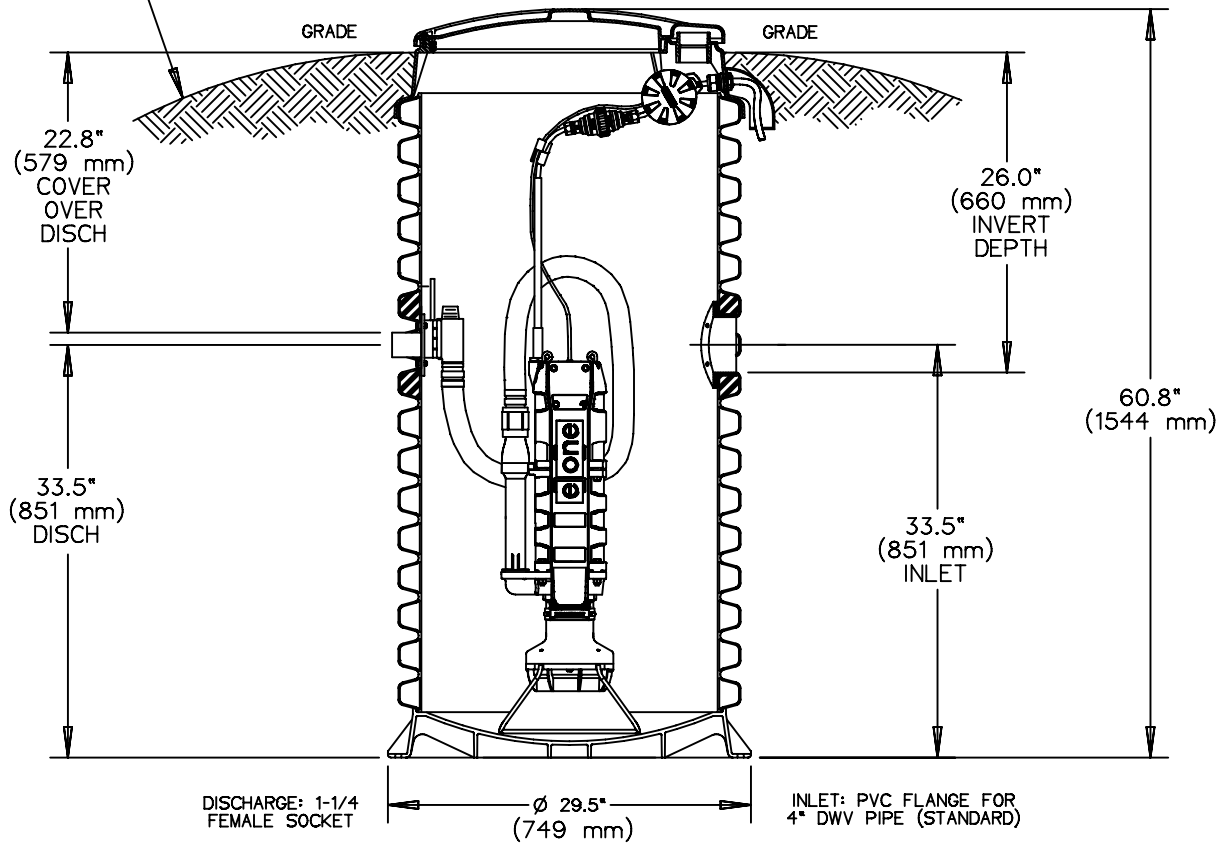


MODEL WH101 / WR101
DETAIL SHEET

NA0057P02

WH101-60
 WR101-60

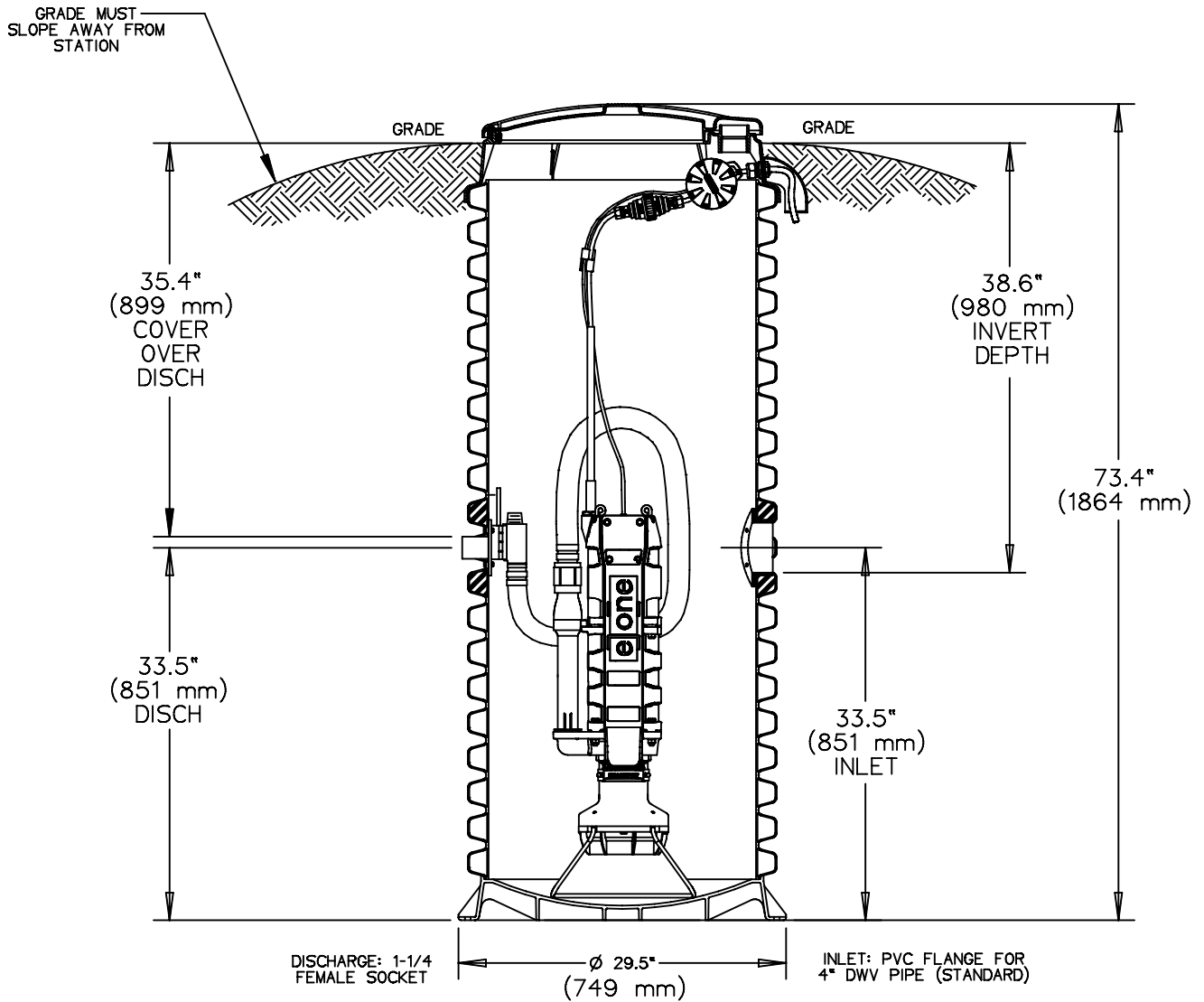
GRADE MUST
SLOPE AWAY FROM
STATION



SEE INSTALLATION INSTRUCTIONS
FOR BALLAST REQUIREMENTS

AD	SGS	12/22/10	C	
DR BY	CHK'D	DATE	ISSUE	SCALE
MODEL WH101-60 / WR101-60				
NA0057P03				

OPTIONS : **WH101-74** (HARD WIRED LEVEL CONTROLS)
 WR101-74 (WIRELESS LEVEL CONTROLS)



CONCRETE BALLAST MAY BE REQUIRED
 SEE INSTALLATION INSTRUCTIONS
 FOR DETAILS



AD	SGS	12/22/10	C	
DR BY	CHK'D	DATE	ISSUE	SCALE

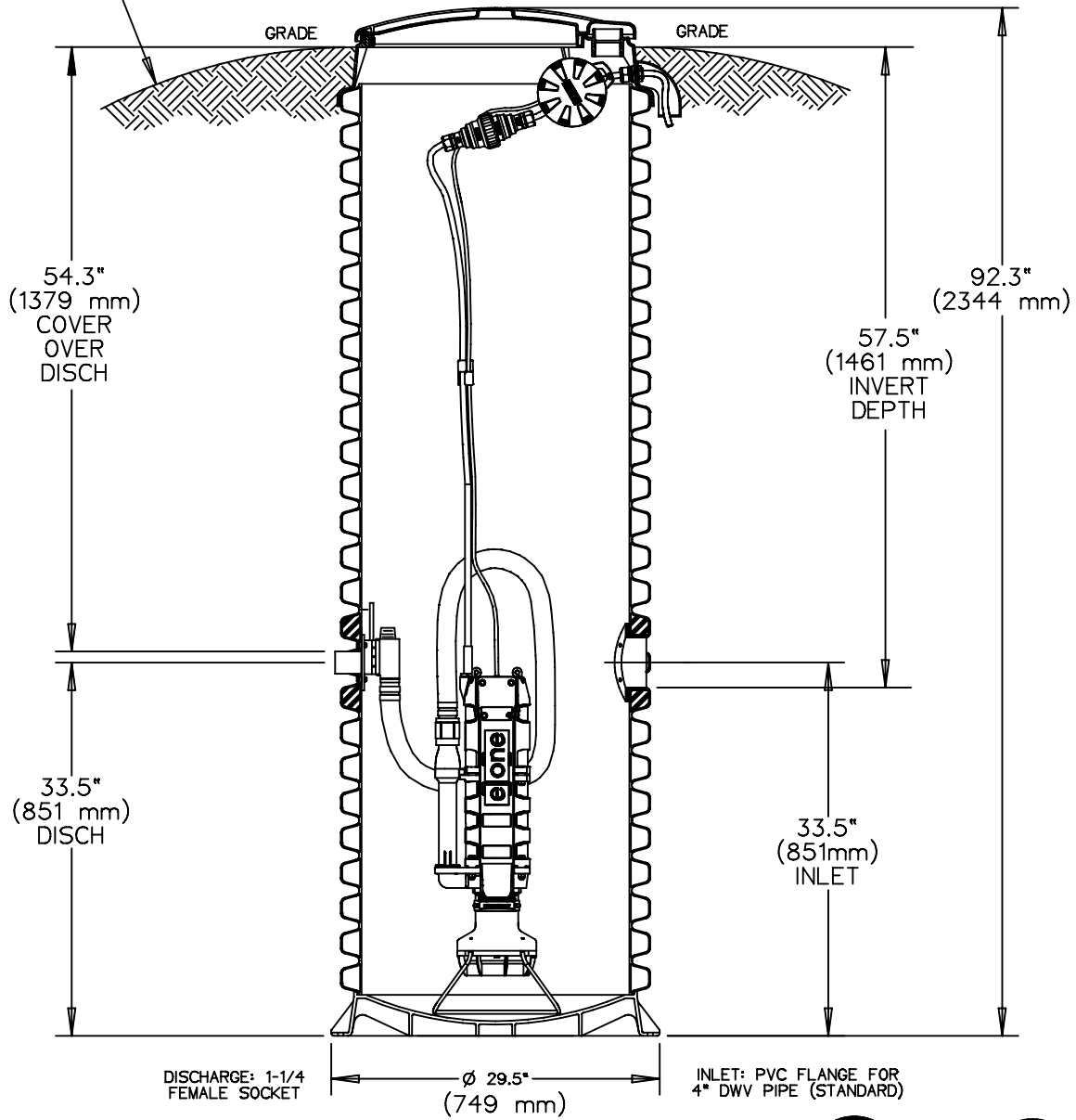


MODEL WH101-74 / WR101-74

NA0057P04

OPTIONS : **WH101-92** (HARD WIRED LEVEL CONTROLS)
 WR101-92 (WIRELESS LEVEL CONTROLS)

GRADE MUST SLOPE AWAY FROM STATION



CONCRETE BALLAST MAY BE REQUIRED
 SEE INSTALLATION INSTRUCTIONS
 FOR DETAILS



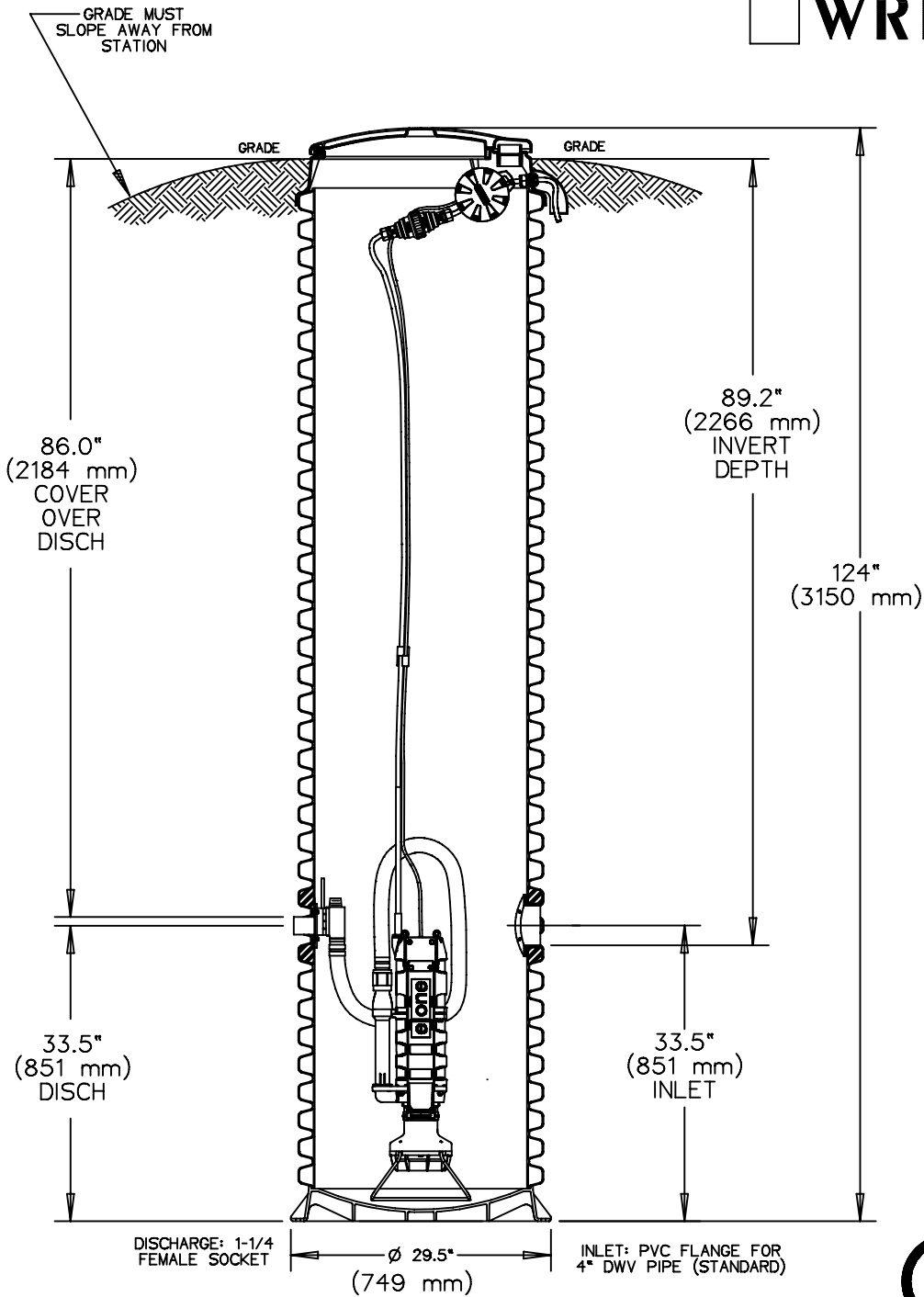
AD	SGS	12/23/10	C	
DR BY	CHK'D	DATE	ISSUE	SCALE
MODEL WH101-92 / WR101-92				
NA0057P05				

OPTIONS : WH101-124

(HARD WIRED
LEVEL CONTROLS)

WR101-124

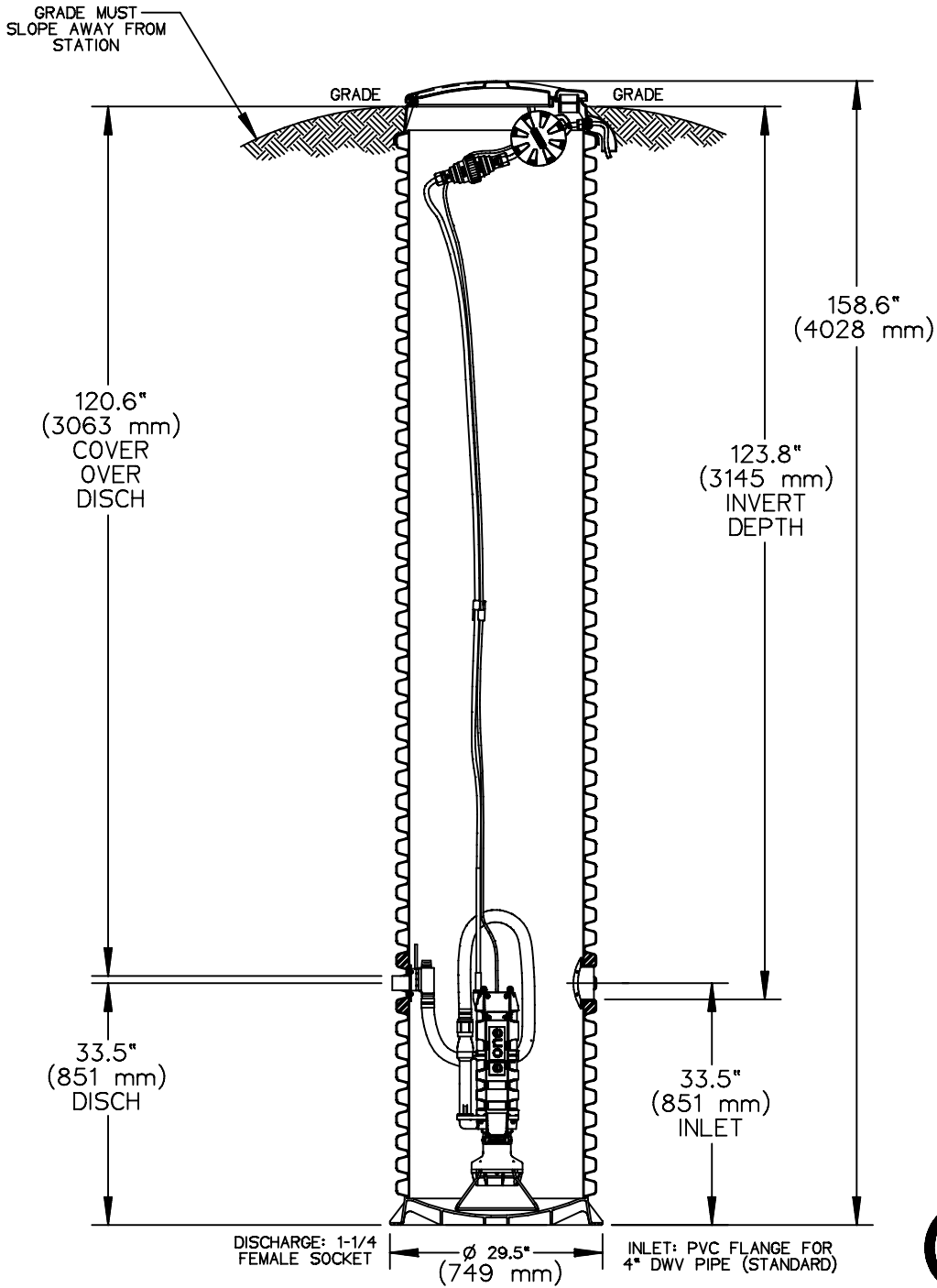
(WIRELESS
LEVEL CONTROLS)



CONCRETE BALLAST MAY BE REQUIRED
SEE INSTALLATION INSTRUCTIONS
FOR DETAILS

AD	SGS	12/23/10	C	
DR BY	CHK'D	DATE	ISSUE	SCALE
MODEL WH101-124 / WR101-124				
NA0057P06				

OPTIONS : **WH101-159** (HARD WIRED LEVEL CONTROLS)
 WR101-159 (WIRELESS LEVEL CONTROLS)



AD	SGS	12/23/10	C	
DR BY	CHK'D	DATE	ISSUE	SCALE



MODEL WH101-159 / WR101-159

NA0057P07

CONCRETE BALLAST MAY BE REQUIRED
 SEE INSTALLATION INSTRUCTIONS
 FOR DETAILS

Station	Basin	Cover	Discharge	Pump	Inlets	Supply Cable	Alarm Panel
SIMPLEX	•High Density Polyethylene (HDPE)	•Molded Fiberglass w/ HDPE Shroud •Flood Plain Design •Structural Foam	•PVC slideface	•Free-standing on stainless steel stand	•4" PVC Flange •SDR 35 Flange	Standard EQD with: •5' Cable •10' Cable •15' Cable •20' Cable •32' Cable •50' Cable •75' Cable •100' Cable	•E/One Sentry Simplex, NEMA 4X •E/One Sentry PreSTAT
	•Fiberglass	•Flat Fiberglass •Painted Steel •Aluminum	•PVC slideface	•Free-standing on stainless steel stand	•4" DWV Grommet •4" SDR 35 Grommet •6" DWV Grommet •6" SDR 35 Grommet •4" PVC Flange •6" Caulking Hub •8" Caulking Hub	Standard EQD with: •5' Cable •10' Cable •15' Cable •20' Cable •32' Cable •50' Cable •75' Cable •100' Cable	•E/One Sentry Simplex, NEMA 4X •E/One Sentry PreSTAT
DUPLEX	•Fiberglass	•Painted Steel •Aluminum	•PVC slidefaces	•Free-standing on stainless steel stands	•4" DWV Grommet •4" SDR 35 Grommet •6" DWV Grommet •6" SDR 35 Grommet •4" PVC Flange •6" Caulking Hub •8" Caulking Hub	Standard EQD with: •5' Cable •10' Cable •15' Cable •20' Cable •32' Cable •50' Cable •75' Cable •100' Cable	•Duplex NEMA 4X Alternating Panel