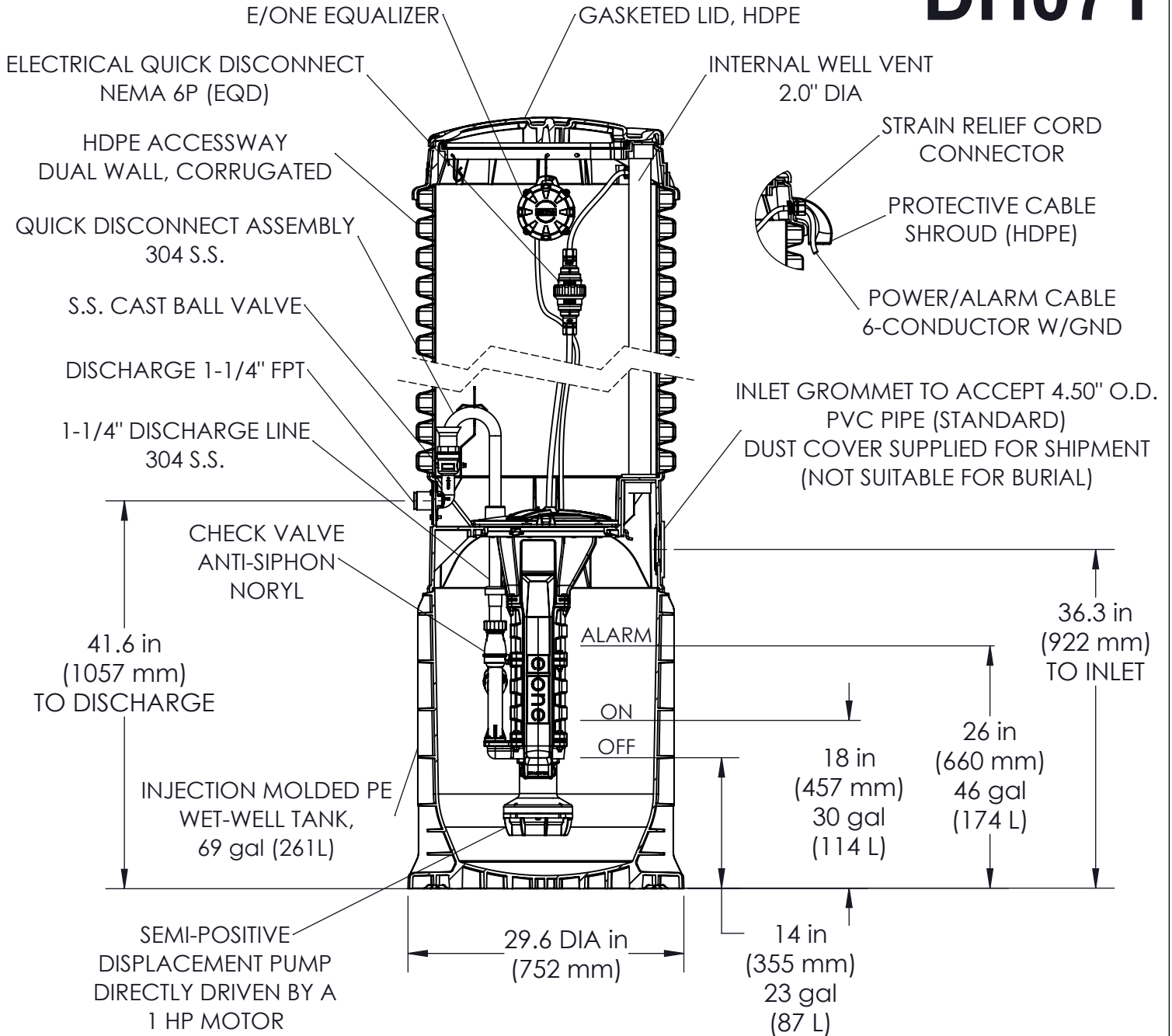


DH071



CONCRETE BALLAST NOT REQUIRED

NOTE: DIMENSIONS ARE FOR REF ONLY

FIELD JOINT REQUIRED FOR MODELS
DH071-129 / DH071-160



JVL	SGS	7/14/2023	F	1:16
DR BY	CHK'D	DATE	ISSUE	SCALE



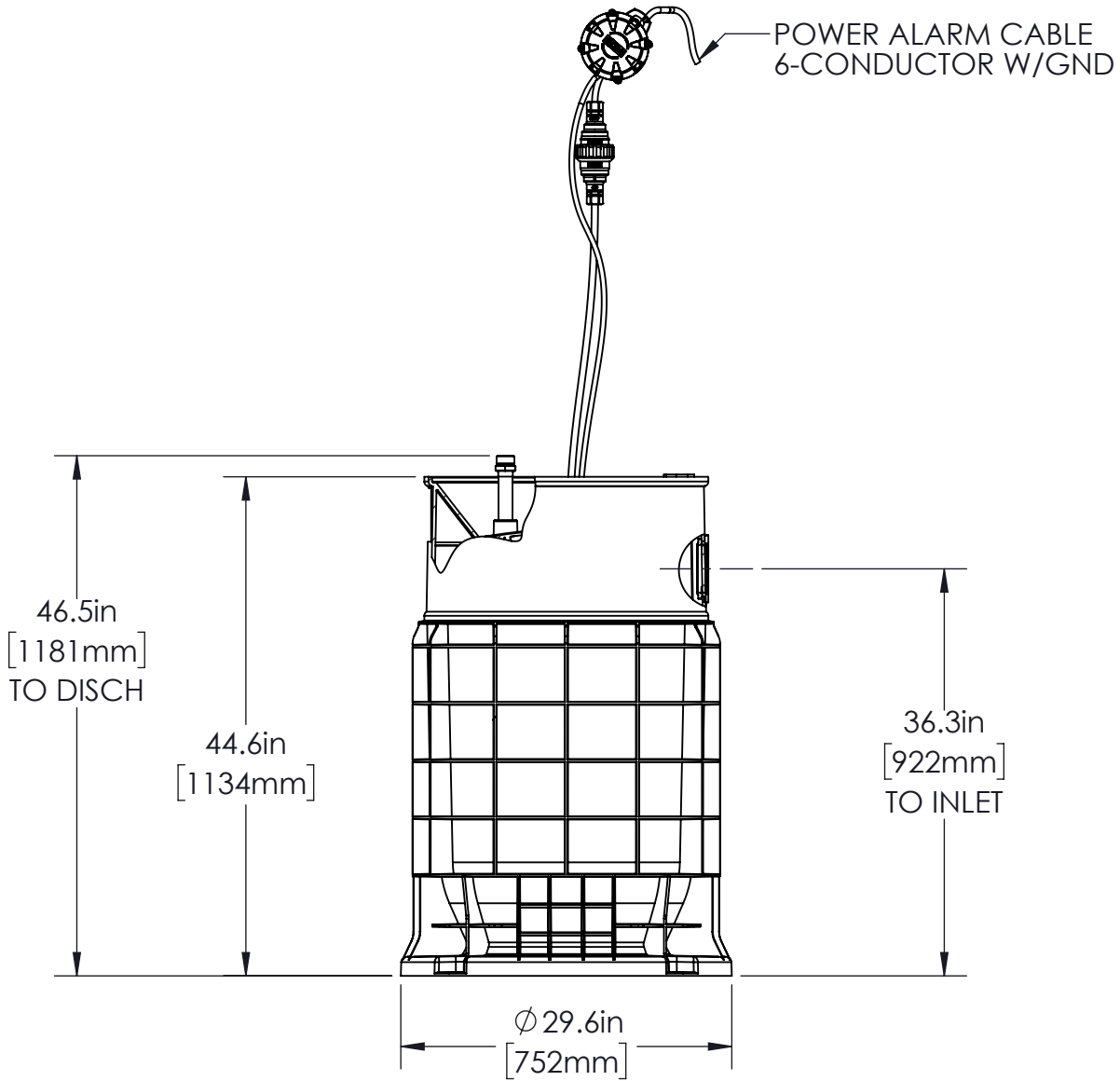
SEWER SYSTEMS

**MODEL DH071
DETAIL SHEET**

NA0050P02

DH071-44

INDOOR UNIT



NOTE: DIMENSIONS ARE FOR REF. ONLY

DISCHARGE: 1-1/4in MALE PIPE THREAD

INLET: EPDM GROMMET FOR 4in DWV PIPE (STANDARD)

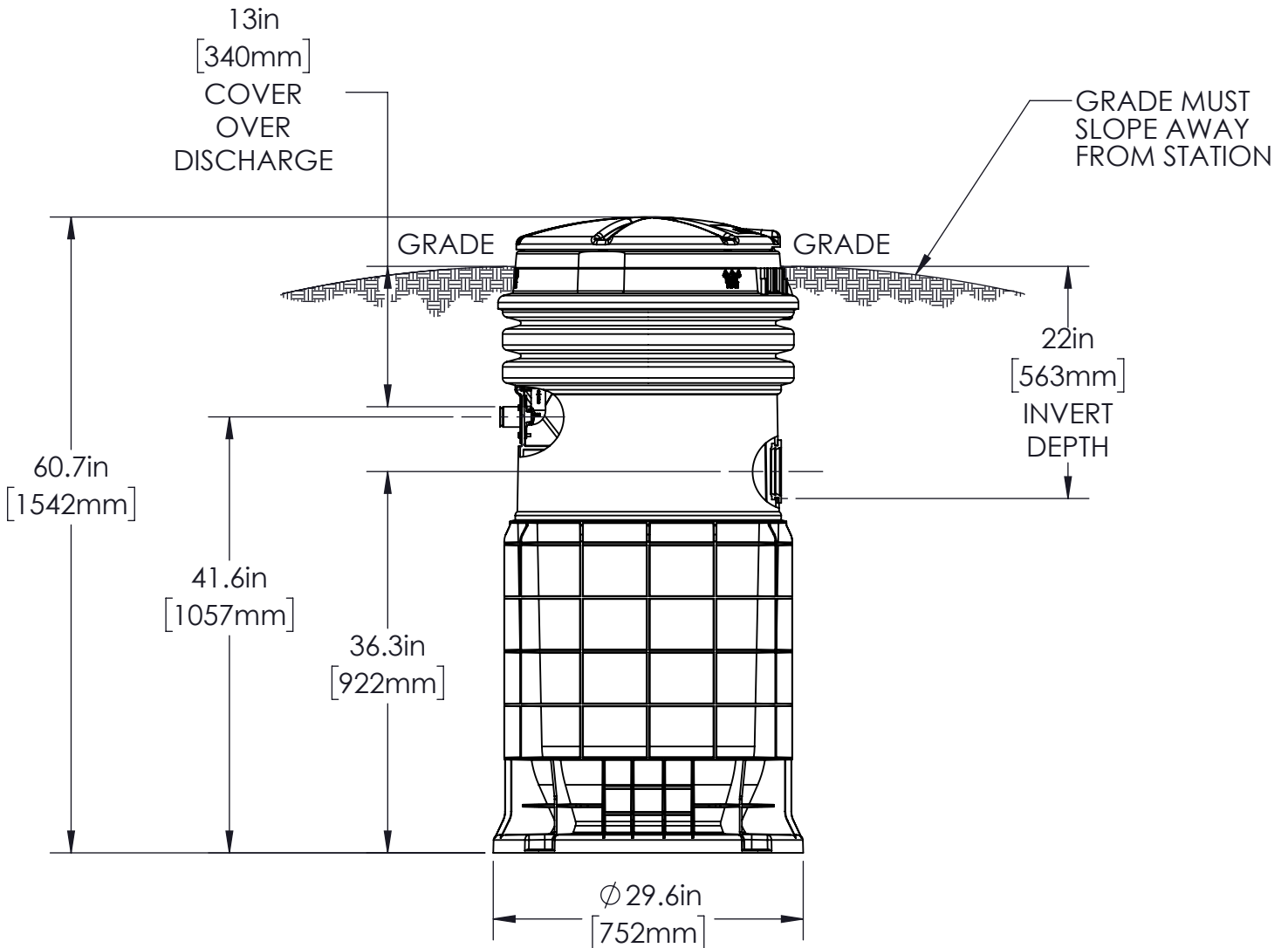
BK	JG	10/11/2023	C	1:16
DR BY	CHK'D	DATE	ISSUE	SCALE



MODEL DH071-44
CUT SHEET

NA0050P03

DH071-61



NOTE: DIMENSIONS ARE FOR REF ONLY

CONCRETE BALLAST NOT REQUIRED

DISCHARGE: 1-1/4in FEMALE PIPE THREAD

INLET: EPDM GROMMET FOR 4in DWV
PIPE (STANDARD)



BK	JG	10/13/2023	E	1:16
DR BY	CHK'D	DATE	ISSUE	SCALE

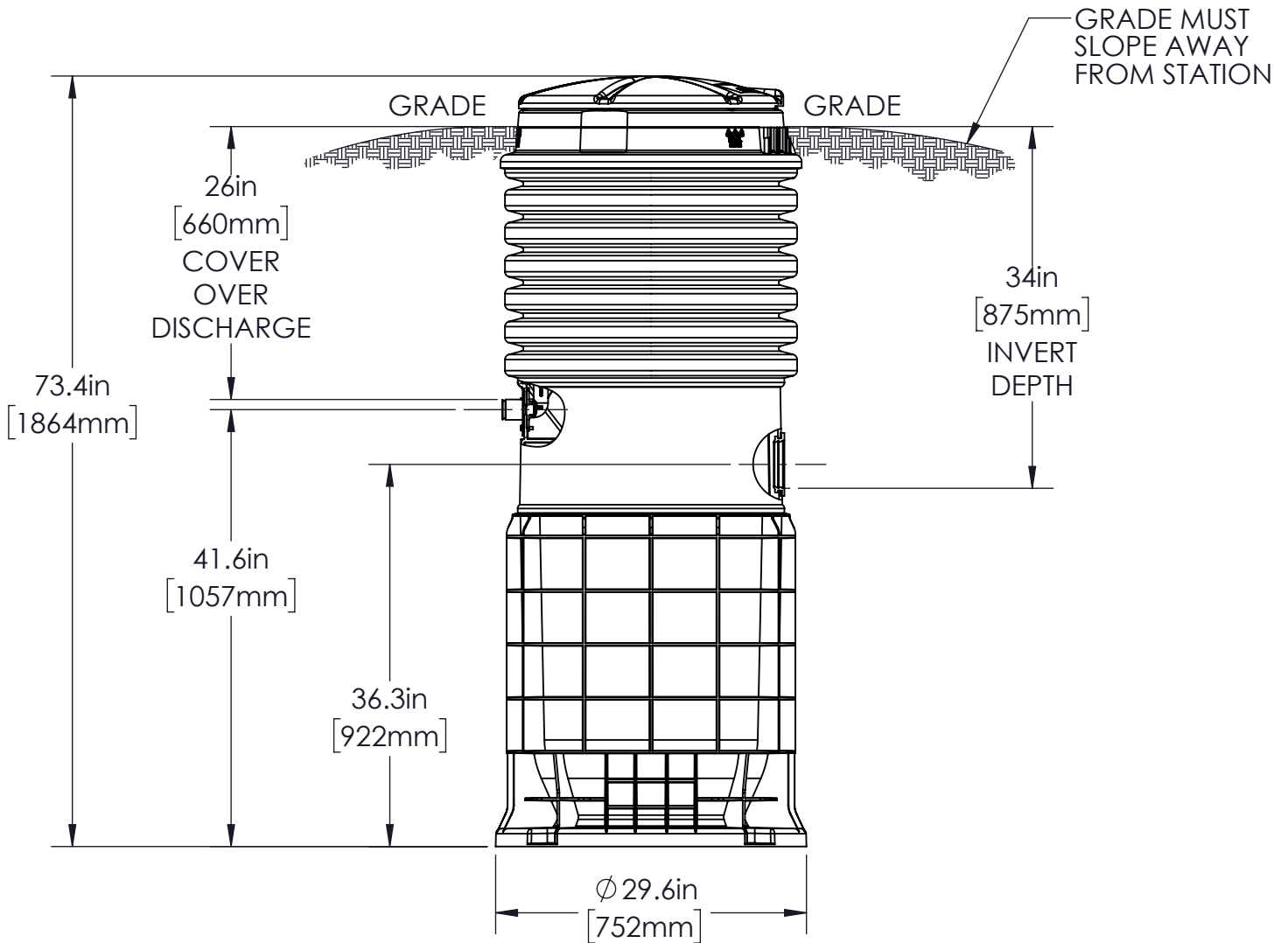


SEWER SYSTEMS

MODEL DH071-61
CUT SHEET

NA0050P04

DH071-74



NOTE: DIMENSIONS ARE FOR REF ONLY

CONCRETE BALLAST NOT REQUIRED

DISCHARGE: 1-1/4in FEMALE PIPE THREAD

INLET: EPDM GROMMET FOR 4in DWV PIPE (STANDARD)

BK	JG	10/13/2023	D	1:16
DR BY	CHK'D	DATE	ISSUE	SCALE



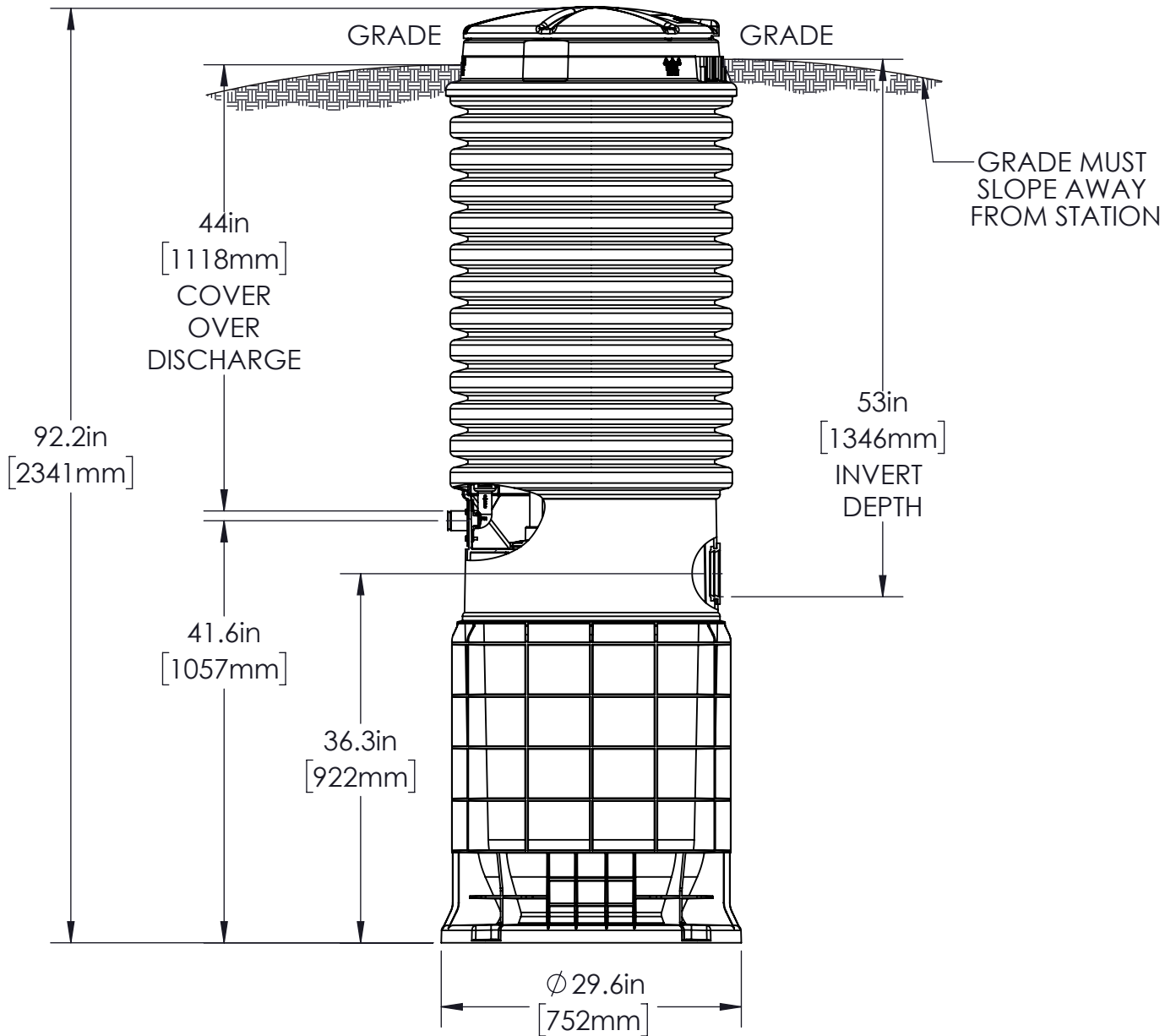
SEWER SYSTEMS

MODEL DH071-74

CUT SHEET

NA0050P05

DH071-93



NOTE: DIMENSIONS ARE FOR REF ONLY

CONCRETE BALLAST NOT REQUIRED

DISCHARGE: 1-1/4in FEMALE PIPE THREAD

INLET: EPDM GROMMET FOR 4in DWV PIPE (STANDARD)



BK	JG	10/13/2023	D	1:16
DR BY	CHK'D	DATE	ISSUE	SCALE



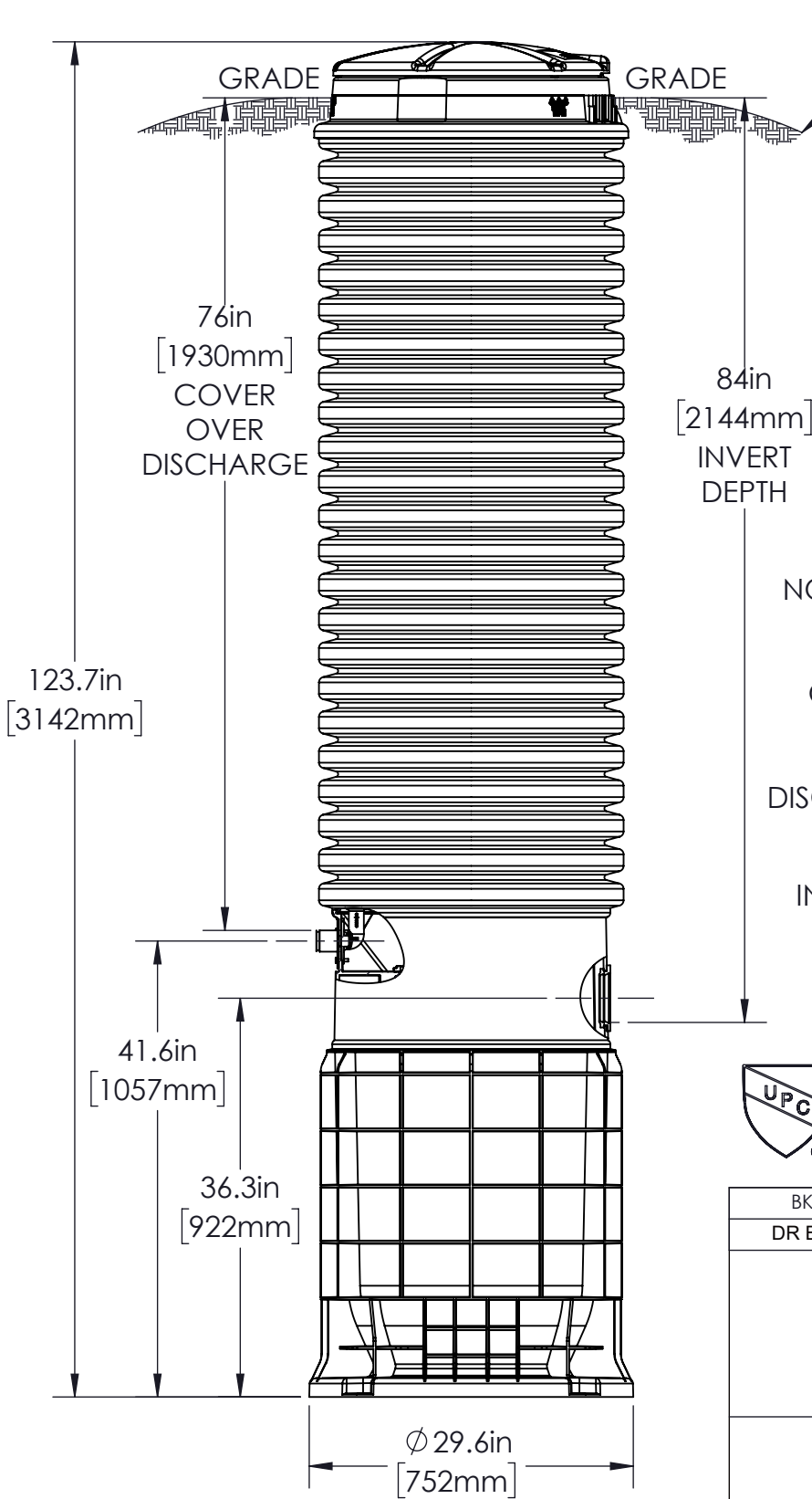
SEWER SYSTEMS

MODEL DH071-93

CUT SHEET

NA0050P06

DH071-124



GRADE MUST SLOPE AWAY FROM STATION

NOTE: DIMENSIONS ARE FOR REF. ONLY
 CONCRETE BALLAST NOT REQUIRED
 DISCHARGE: 1-1/4in FEMALE PIPE THREAD
 INLET: EPDM GROMMET FOR 4in DWV PIPE (STANDARD)



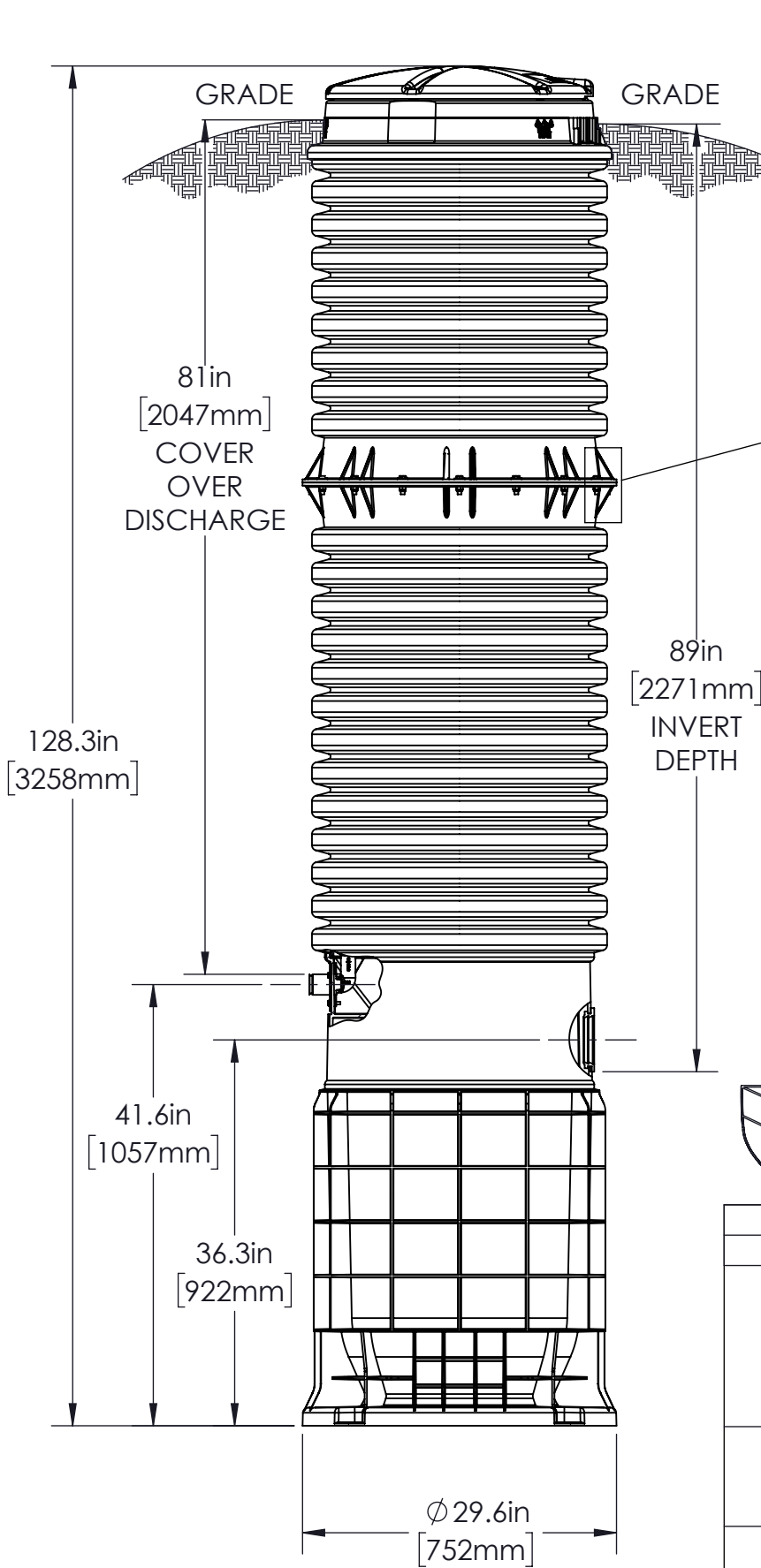
BK	JG	10/13/2023	D	1:16
DR BY	CHK'D	DATE	ISSUE	SCALE



MODEL DH071-124
CUT SHEET

NA0050P07

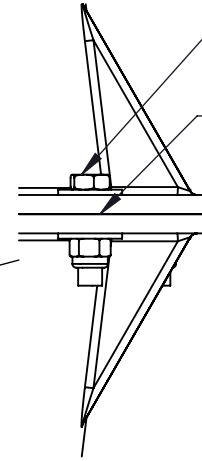
DH071-129



GRADE MUST SLOPE AWAY FROM STATION

3/8in SS HARDWARE -FIELD ASSEMBLE- (16 PLACES)

SIKA TAPE -FIELD LOCATE-



FIELD JOINT DETAIL

SEE INSTALLATION INSTRUCTIONS FOR FURTHER DETAIL

NOTE: DIMENSIONS ARE FOR REF. ONLY

CONCRETE BALLAST NOT REQUIRED

DISCHARGE: 1-1/4in FEMALE PIPE THREAD

INLET: EPDM GROMMET FOR 4in DWV PIPE (STANDARD)



BK	JG	10/13/2023	D	1:16
DR BY	CHK'D	DATE	ISSUE	SCALE



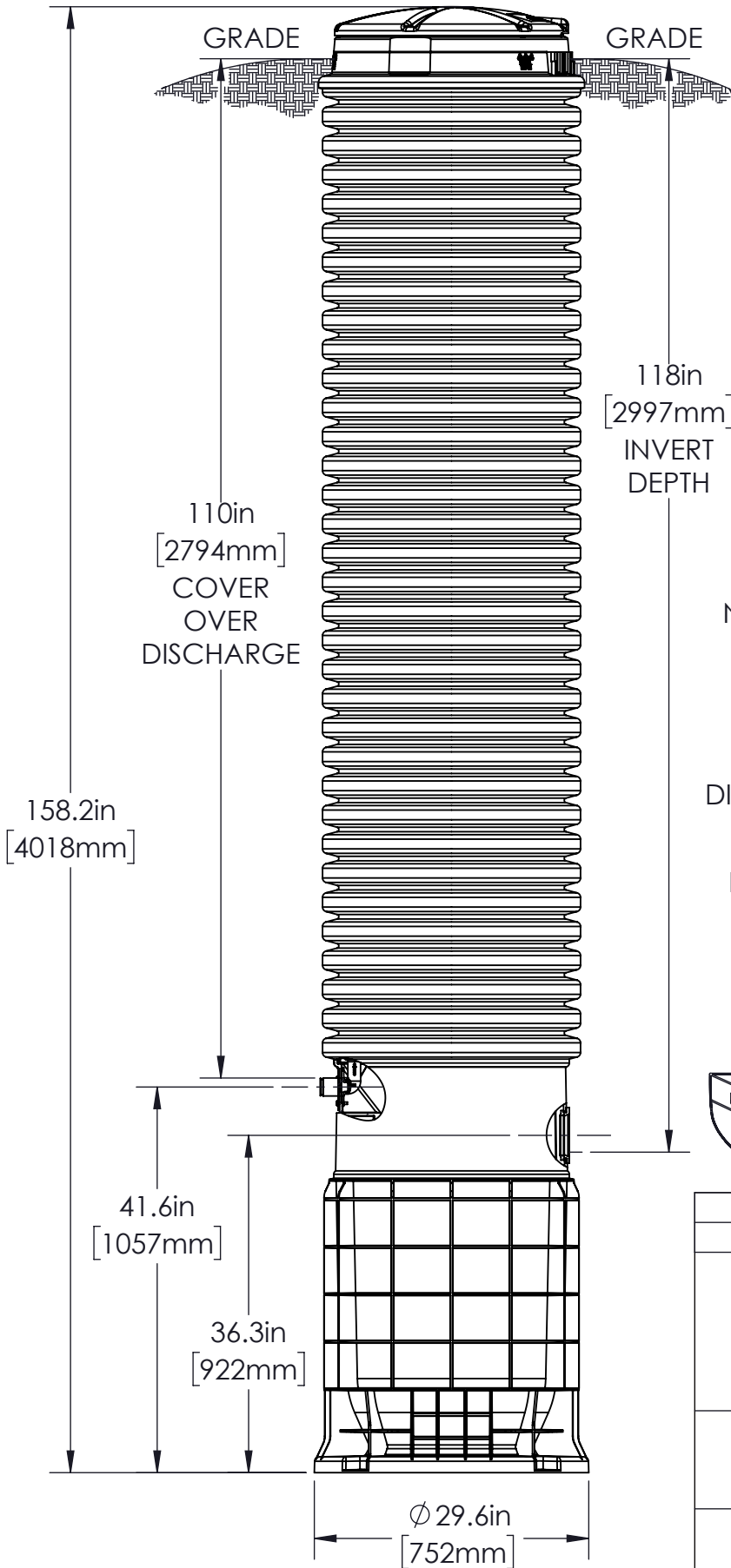
SEWER SYSTEMS

MODEL DH071-129

CUT SHEET

NA0050P08

DH071-158



GRADE MUST SLOPE AWAY FROM STATION

NOTE: DIMENSIONS ARE FOR REF ONLY

CONCRETE BALLAST NOT REQUIRED

DISCHARGE 1-1/4in FEMALE PIPE THREAD

INLET: EPDM GROMMET FOR 4in DWV PIPE (STANDARD)



BK	JG	10/13/2023	D	1:18
DR BY	CHK'D	DATE	ISSUE	SCALE



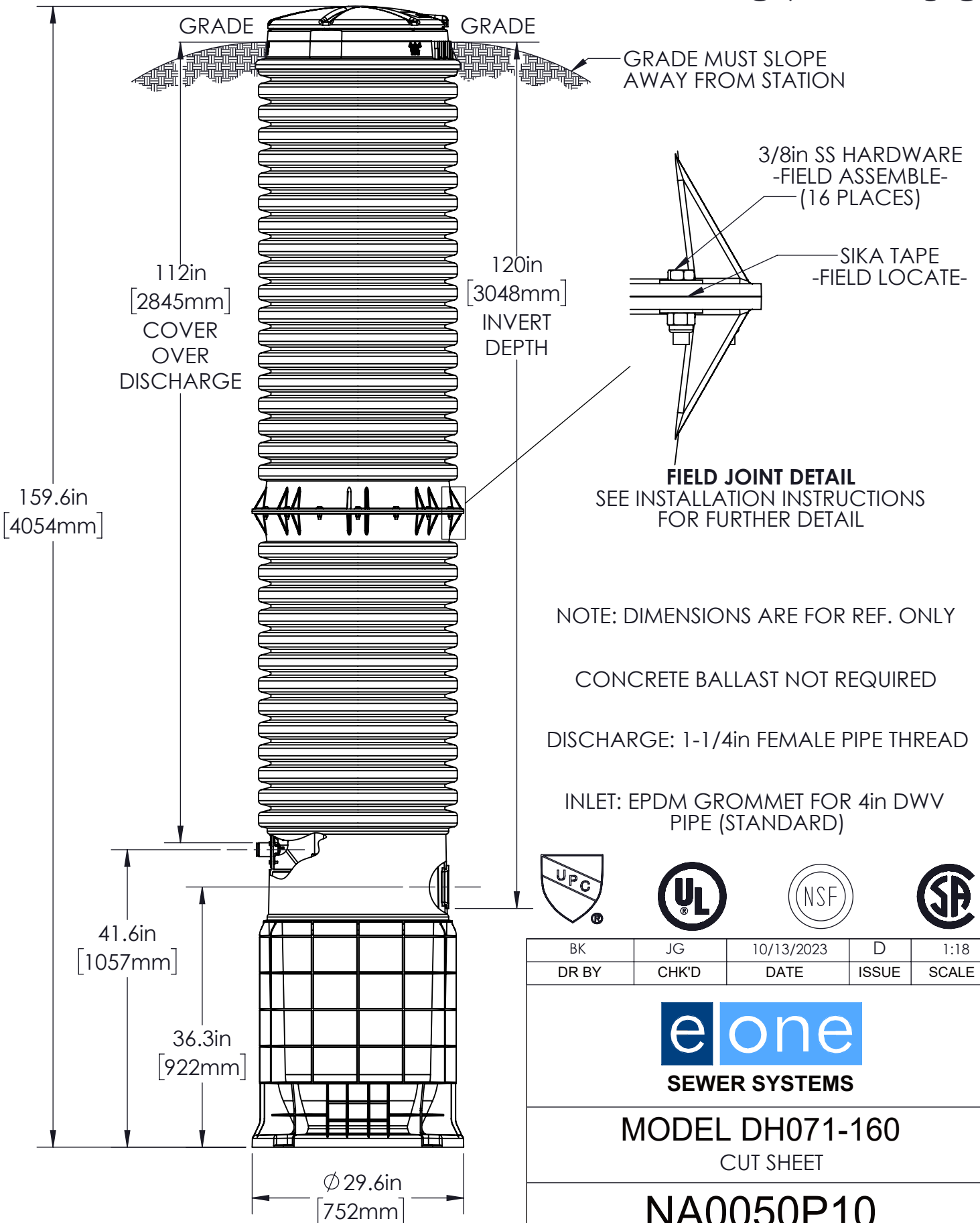
SEWER SYSTEMS

MODEL DH071-158

CUT SHEET

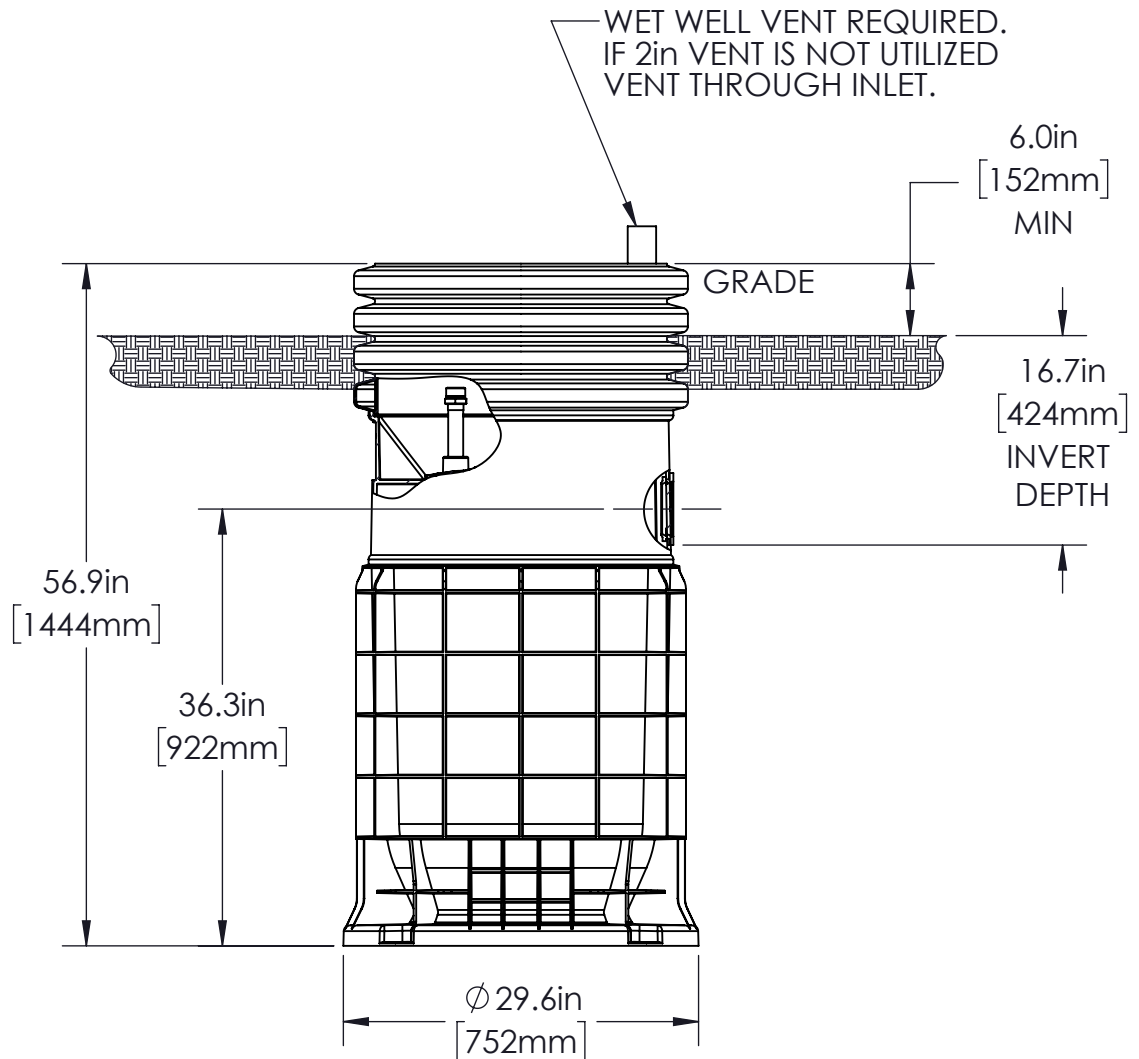
NA0050P09

DH071-160



DH071-57

STRAIGHT DISCHARGE



NOTE: DIMENSIONS ARE FOR REF. ONLY

DISCHARGE: 1-1/4in MALE PIPE THREAD

INLET: EPDM GROMMET FOR 4in DWV PIPE (STANDARD)

BK	JG	10/13/2023	C	1:16
DR BY	CHK'D	DATE	ISSUE	SCALE



SEWER SYSTEMS

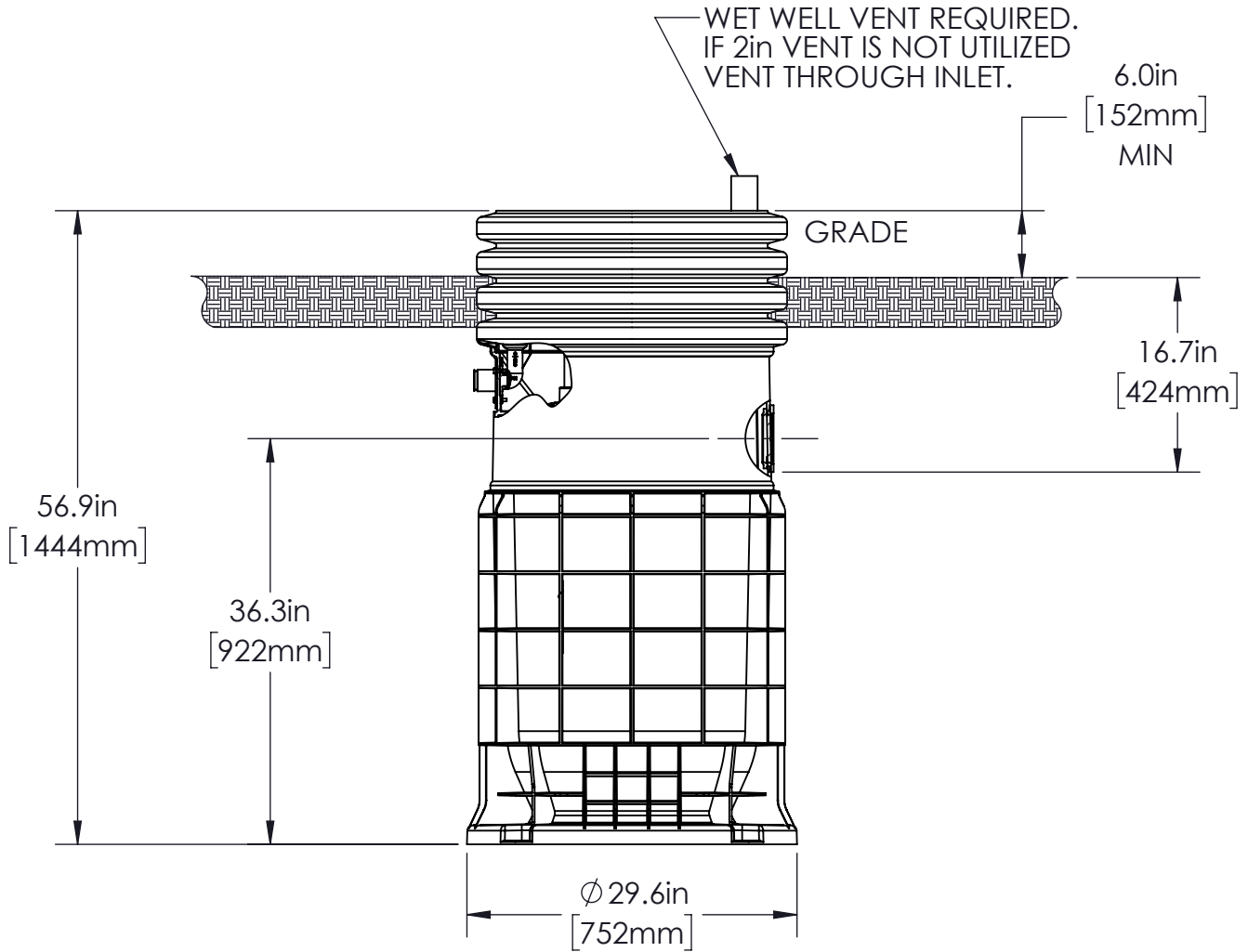
MODEL DH071-57

BUILDERS MODEL

NA0050P11

DH071-57

DISCHARGE VALVE



NOTE: DIMENSIONS ARE FOR REF. ONLY

DISCHARGE: 1-1/4in FEMALE PIPE THREAD

INLET: EPDM GROMMET FOR 4in DWV
PIPE (STANDARD)

BK	JG	10/13/2023	C	1:16
DR BY	CHK'D	DATE	ISSUE	SCALE

e one

SEWER SYSTEMS

MODEL DH071-57

BUILDERS MODEL

NA0050P12